

Aquarian[®] Thermo

| | |
|----------------|---------|
| Chrome | E99.01T |
| White / Chrome | E99.21T |
| White | E99.20T |

- Thermostatic surface mounted valve for quick and easy installation
- Rear inlet and bottom or rear outlet option
- Integral anti-scale mechanism
- Integral safety features
- Compatible with virtually all approved UK domestic water systems
- 3 year comprehensive manufacturer's guarantee
- Optional manifold available to enable installation with rising or falling exposed pipework

FIXING DATA

INLETS

15mm push-fit connectors.

150mm centres.

Pipe projection for rear entry – 18-22mm.

Hot left/cold right viewed from front.

OUTLETS

Bottom: 1/2" BSP male thread.

Rear: 22mm push-fit.

17-28mm pipe projection.

WATER PRESSURES

Minimum: 0.1 bar (1 metre head).

Maximum: 10 bar (100 metre head).

PLEASE NOTE

For combination boiler system installations the flow regulator provided should be fitted into the cold inlet prior to installation.

Combination boilers must have a minimum domestic hot water rating of 24kW (80,000 Btu) and must be of the type fitted with a fully modulating gas valve.

BOOSTER PUMP OPTIONS

MC0130 Mach 130 pump

MC0250 Mach 250 pump

MC0340 Mach 340 pump

WATER SYSTEM COMPATIBILITY

Gravity Combi Mains fed Unvented

ACCESSORIES

Universal adjustable height shower head.

Universal fixed shower head – concealed.

*Aquajet 99.02.01

*Diverter 92.03.01

* dependent on water pressure, and only for use with valve fitted with the rear outlet connector.

PLEASE NOTE

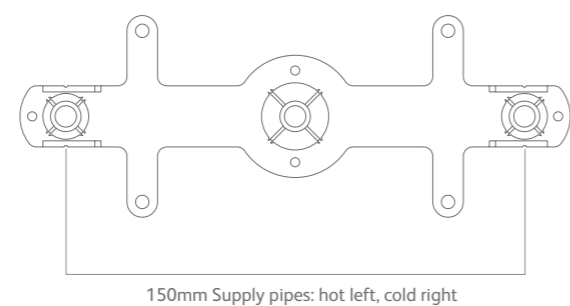
Manifold adapter to accept top or bottom entry pipework is available:

E99MF.01 Chrome

E99MF.20 White

SITING OF VALVE

Template supplied.



Valve shown fitted with bottom outlet with adjustable height head.