

INSTALLATION GUIDE

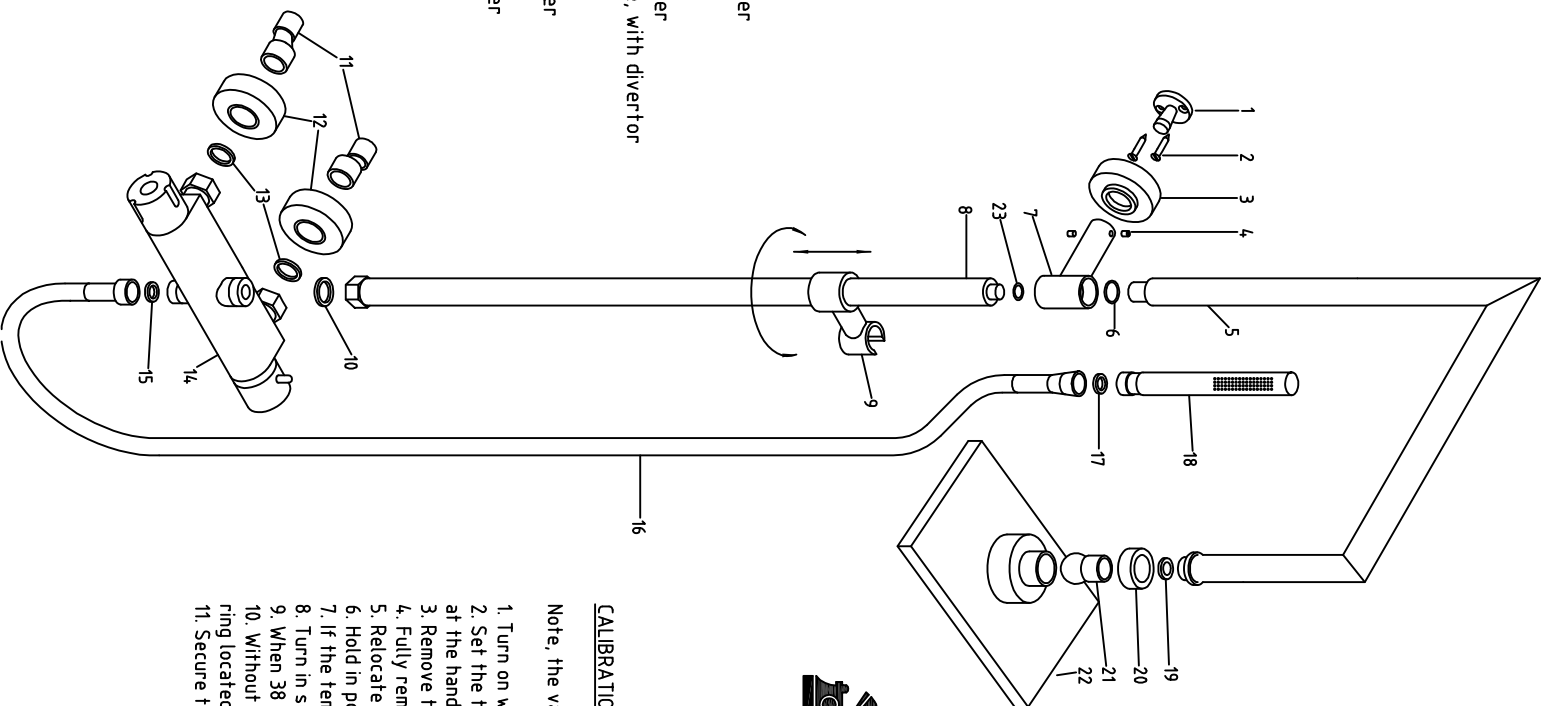
1. Flush all pipework before installation.
2. Connect the upper and lower poles, ensuring item 6 is in position, and passing through item 7.
3. Fit the Cloudburst head to the upper pole.
4. Mark out the position of the pole on the wall.
5. Fit the cranked connectors to the rear of the thermostatic valve and prepare the pipework.
6. Connect the flexible hose to the valve.
7. Attach the pole to the valve and screw the swivel nuts at the rear on to the cranked connectors.
8. Ensure the hot connection is to the left, and the cold to the right.
9. Check for water leaks

Note,

With the aid of the cranked connectors, the inlet pipe centres may vary between 120mm & 180mm.

PARTS LIST

1. Wall plate
2. Woodscrews
3. Flange
4. Grub screws
5. Upper pole
6. 18 x 2mm O ring
7. Pole joint bracket
8. Lower pole
9. Handset holder
10. 24mm Flat rubber washer
11. Cranked connector
12. Flange
13. 24mm Flat rubber washer
14. Thermostatic bar valve, with diverter
15. Flat rubber washer
16. Flexible hose
17. 18mm Flat rubber washer
18. Pencil handset
19. 18mm flat rubber washer
20. Locknut
21. Swivel connector
22. Fixed head
- 23:10.5 x 2.4 O ring



Ultra Finishing Ltd.

Customer Care Helpline:- 01282 446789

CALIBRATION PROCEDURE

Note, the valve discharge temperature is pre-set at 38 C, but on certain installations the setting may need to be adjusted.

1. Turn on water flow valve. The hot water supply should be at least 60 C.
2. Set the Temperature control knob to the 38 C position (with the button in the stop position) and check the discharge temperature at the handset. If not at 38 C continue below.
3. Remove the centre cap & knob securing screw from the temperature control knob.
4. Fully remove the temperature control knob.
5. Relocate the temperature control knob approximately 3mm back on to the splined shaft.
6. Hold in position.
7. If the temperature is greater than 38 C, turn the knob clockwise to achieve 38 C.
8. Turn in small increments & allow 10 seconds between each movement to allow the cartridge to stabilise.
9. When 38 C is obtained, remove the knob from the splined shaft.
10. Without rotating the knob, carefully relocate it on the splined shaft, aligning the 38 mark with the line on the fixed ring located on the valve body.
11. Secure the temperature control knob with the fixing screw and replace the centre cap.