

# 'AF' PIVOT DOOR FITTING INSTRUCTIONS

## (Recess Installation)

1. Ensure the shower tray is level and check adjustment sizes given are correct for fitment to your application. Care must be taken when drilling the wall to avoid hidden pipes or electrical cables (Fig 1).

2. Take the wall posts and set them 15mm from the edge of the tray at either side of the recess. Using a spirit level ensure the wall posts are vertical, plumb and in line with each other (Fig 2). Mark the hole positions (Fig 3) remove the wall posts and drill the holes and fit the wall plugs.

3. Place the wall posts on both sides of the Bi-Fold frame (Fig 4/5).

4. Lift the complete frame into the recess (Fig 6) and secure using the 30mm screws, ensuring that the screw collars are fitted.

5. Taking care not to scratch the unit, mark and drill two 3.2mm holes 150mm from the top & bottom on the inside of the enclosure. Drill through the wall post and frame and secure with 10mm screws, again ensure the screw collars are in place (Fig 7).

6. Slide the magnetic strip into the channel of the door post, at the opening side of the fixed frame (Fig 8) ensuring that the angled magnet is facing outwards. Clip the magnetic seal onto the edge of the glass door with the magnetic edge facing inwards (Fig 9).

7. Slide the vertical post seal into the channel on the opposite post of the fixed frame (Fig 10) and clip the vertical door seal onto the closing side of the glass door (Fig 11). Measure and trim to length the bottom door seal and clip into place with the anti-splash blade on the inside of the enclosure.

8. Finish off by fitting the screw cover caps and run a bead of silicone around the bottom and up the vertical sides of the wall posts to seal the outside of the unit (Fig 12). Fit the snap to fit cover caps onto the top edges of the wall channels.

**DO NOT SEAL ON THE INSIDE OF THE ENCLOSURE**

Fig. 1

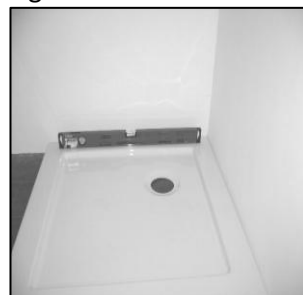


Fig. 2

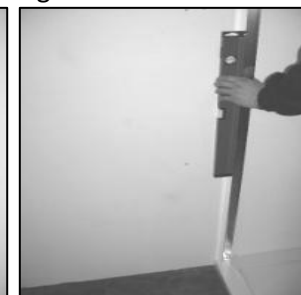


Fig. 3

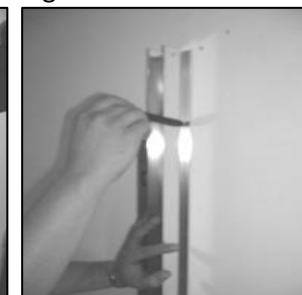


Fig. 4

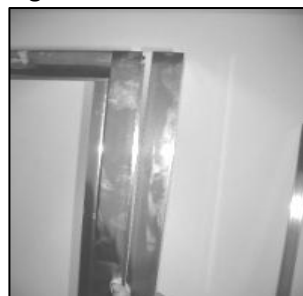


Fig. 5



Fig. 6



Fig. 7



Fig. 8

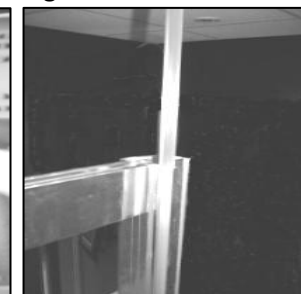


Fig. 9

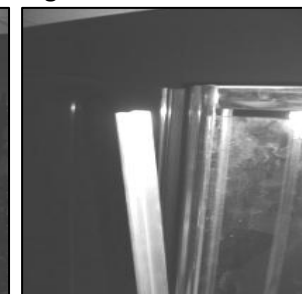


Fig. 10



Fig. 11

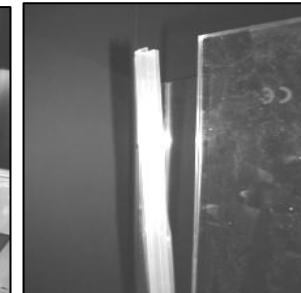
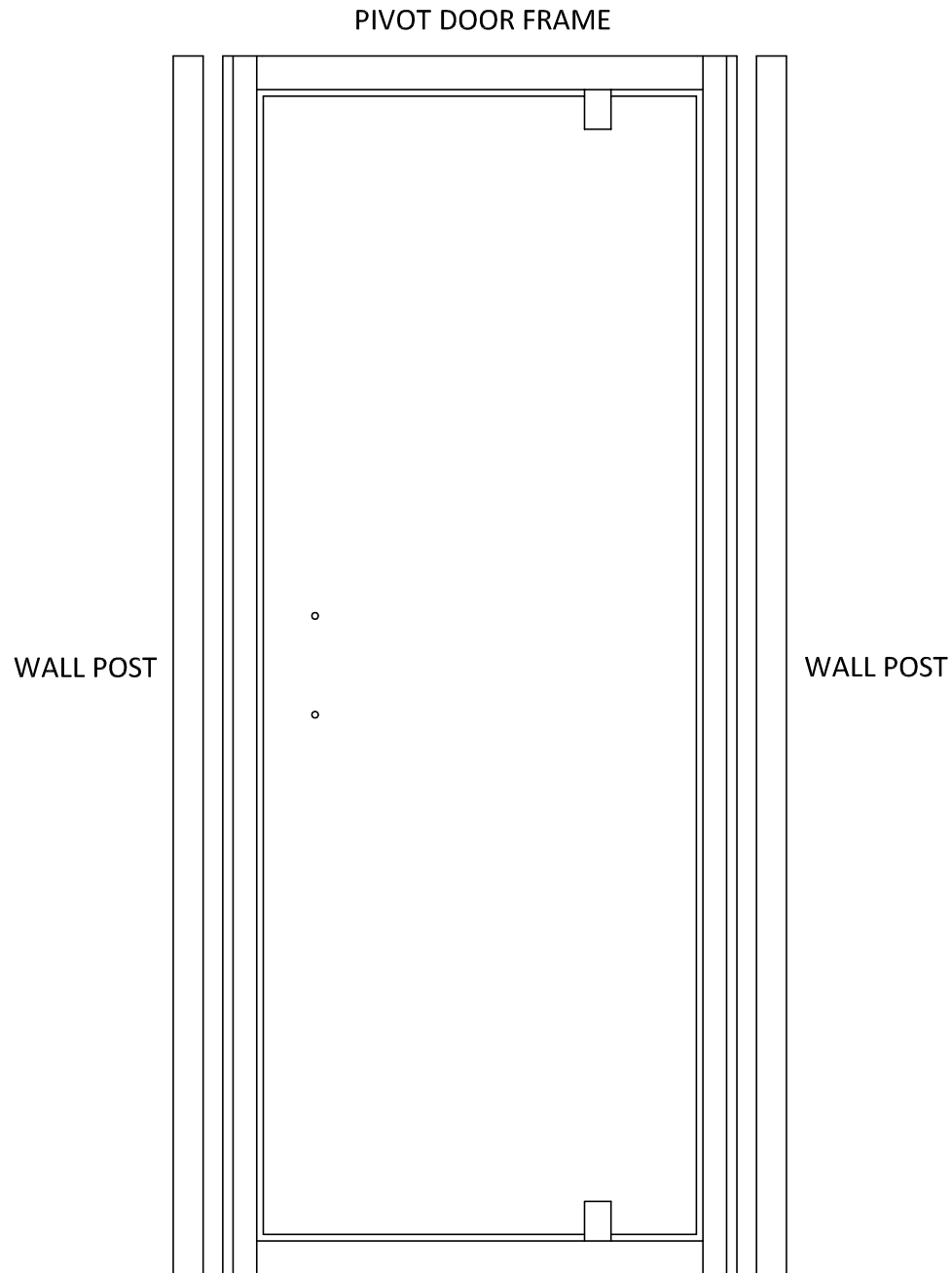




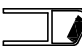

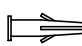


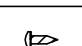

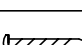


Fig. 12



# AF PIVOT DOOR FITTING INSTRUCTION

WHEN A PIVOT DOOR IS TO BE FITTED WITH A SIDE PANEL, PLEASE REFER TO THE SIDE PANEL INSTRUCTION IN CONJUNCTION WITH THESE.



AF PIVOT DOOR PARTS LIST		
	VERTICAL DOOR SEAL	1
	MAGNETIC STRIP	1
	MAGNETIC SEAL	1
	VERTICAL POST SEAL	1
	WALL PLUGS	6
	SCREW COLLAR	10
	SCREW COVER CAP	10
	10mm SCREWS	4
	15mm SCREWS	2
	30mm SCREWS	6
	BOTTOM DOOR SEAL	1
	WALL POST COVER CAPS	2
	DOOR HANDLE	1