

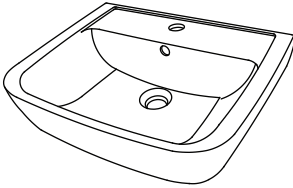
essential

Lily Basin & Pedestal

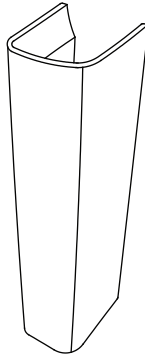


EC1001 55cm Basin
EC1002 Full Pedestal

www.essentialfromideal.com



[01] x 1
550 x 450 x 175mm.



[02] x 1



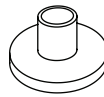
[03] x 2
120 x 8mm.



[04] x 2
Ø 12mm.



[05] x 2



[06] x 2

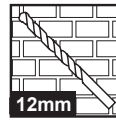
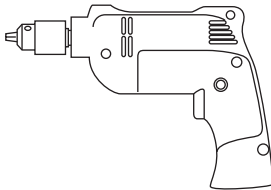
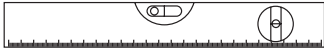


[07] x 2

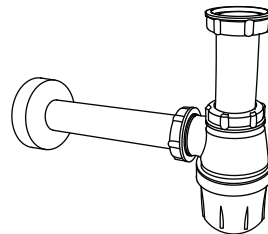
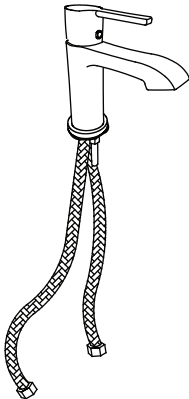
Things to check before you start

- Check basin and Pedestal for any Faults or Damage.
- Shut off Water
- Read Instructions
- Always ensure that wall plugs or fixings are correct for the type of wall that product is being fitted to
Plasterboard / Stud walls will require Specialised fixings.
Wall Plugs supplied are for Solid walls.
- Check the pack and make sure you have all the parts listed above. If not, contact your local Bathroom store, who will be able to help you.
- When you are ready to start, make sure that you have the right tools to hand, plenty of space and a clean, dry area for assembly.
- Please note:** although these instructions are comprehensive it is always recommended that a technically competent installer should undertake installation.
- Retain the instruction for future use.

Tools required (not supplied)



Parts required (not supplied)



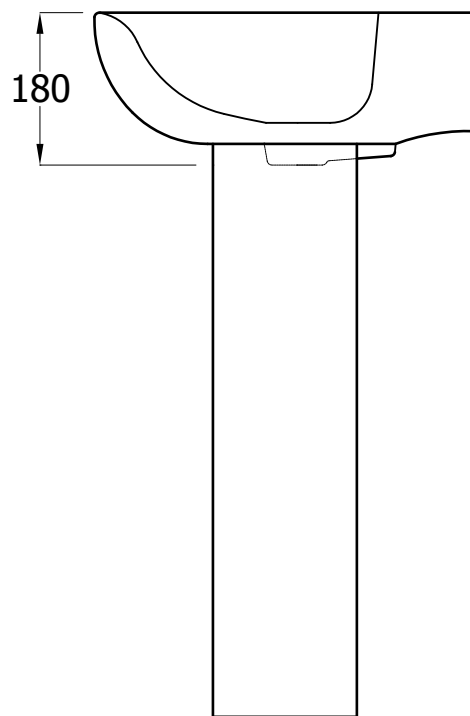
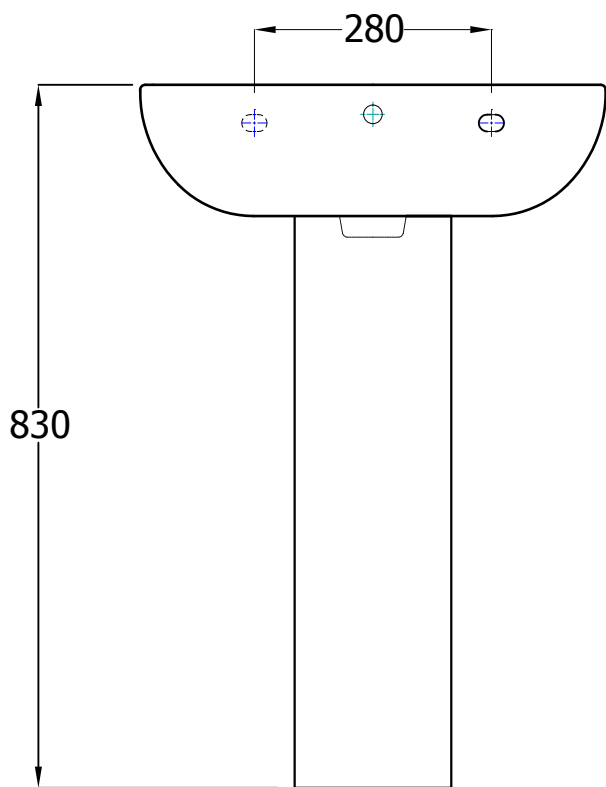
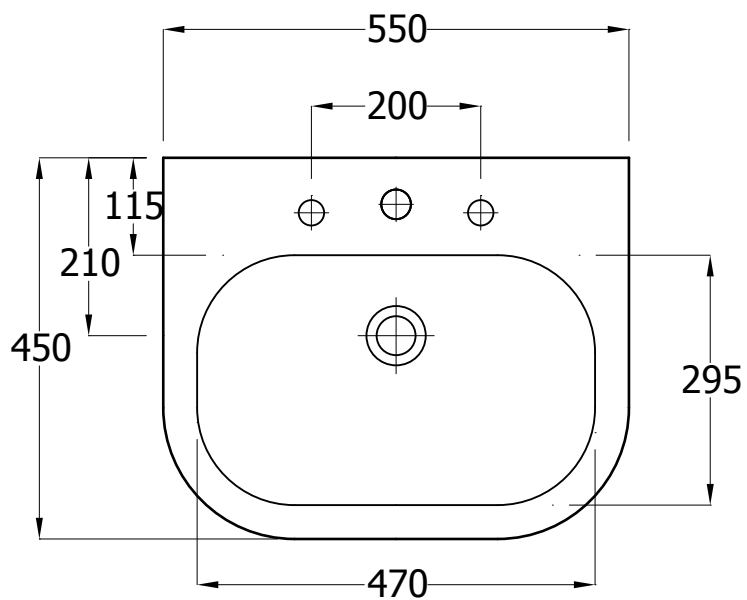
Safety

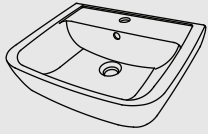
- CAUTION:** Care should always be taken when drilling into walls to avoid any sunken wires or pipes.
- CAUTION:** DO NOT over tighten the fixings otherwise it may damage the product.
- CAUTION:** Fragile – handle the product with care. This product may cause personal injury, property damage or break easily if not handled, positioned and installed with care.
- CAUTION:** Always ensure the product is securely installed before use.
- When the installation is complete, turn the water supply on and check for leaks around the basin, tap and waste connection points.
- Failure to follow these instructions may result in personal injury, damage to the product and property damage.
- Do not strike the basin with hard or pointed items.

The 5 golden rules for care

- ① Use warm soapy water and a soft cloth to clean the surface of the product.
- ② Never use any solvent, scourers, abrasives, bleach, acids, strong detergents, aggressive chemical cleaners.
- ③ Avoid the sudden introduction of hot water to a cold basin. This may damage the basin.
- ④ Do not drop any hard objects on the basin. Damage may result with crack and leaks.
- ⑤ It is recommended to check all fittings for security and tightness at regular intervals.

Lily Basin & Pedestal

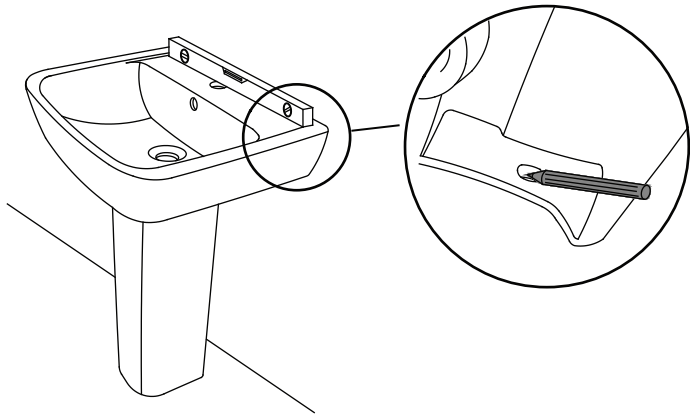
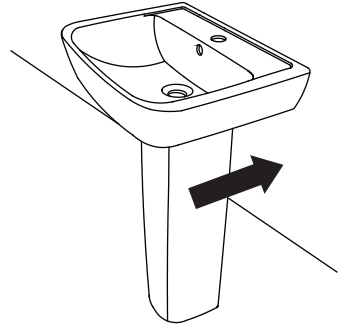
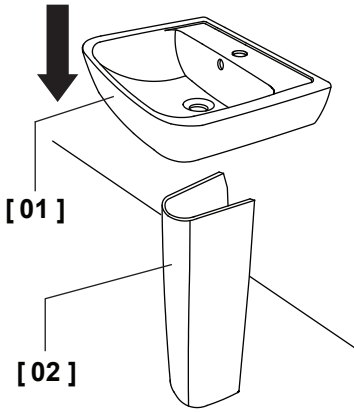


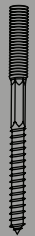
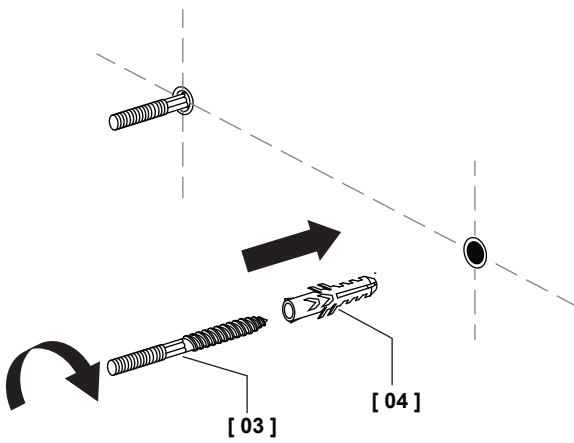
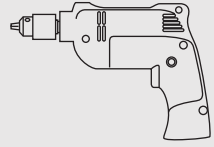
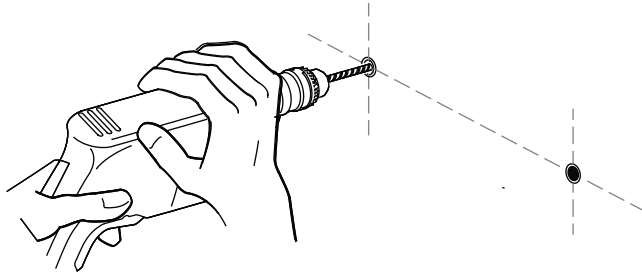


[01]



[02]





[03]



[04]





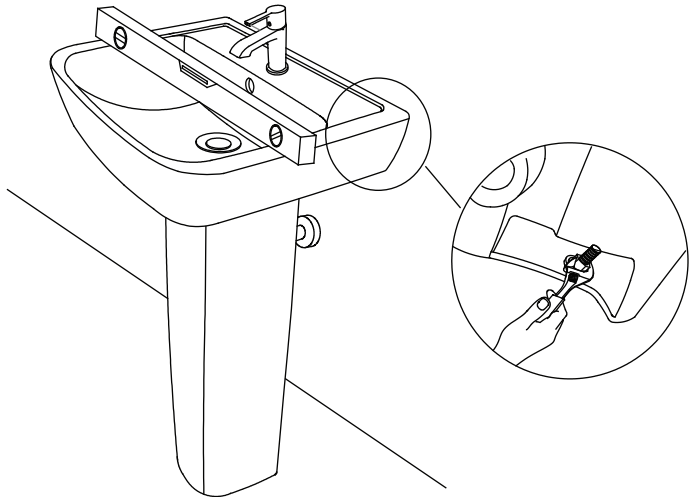
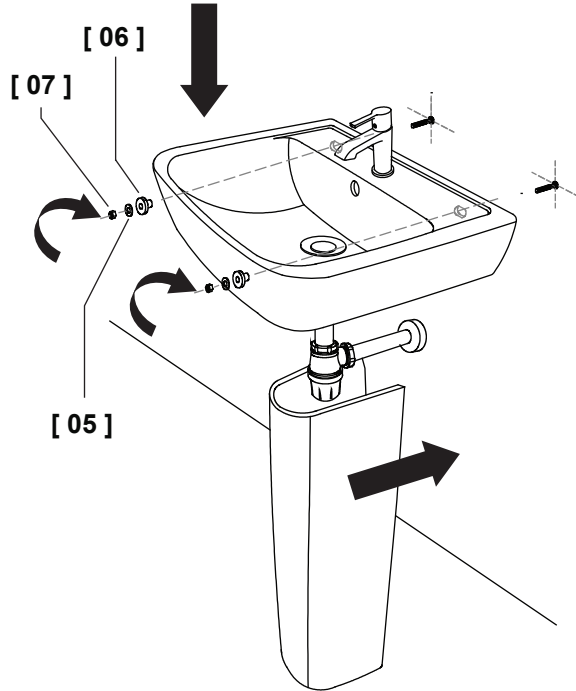
[05]

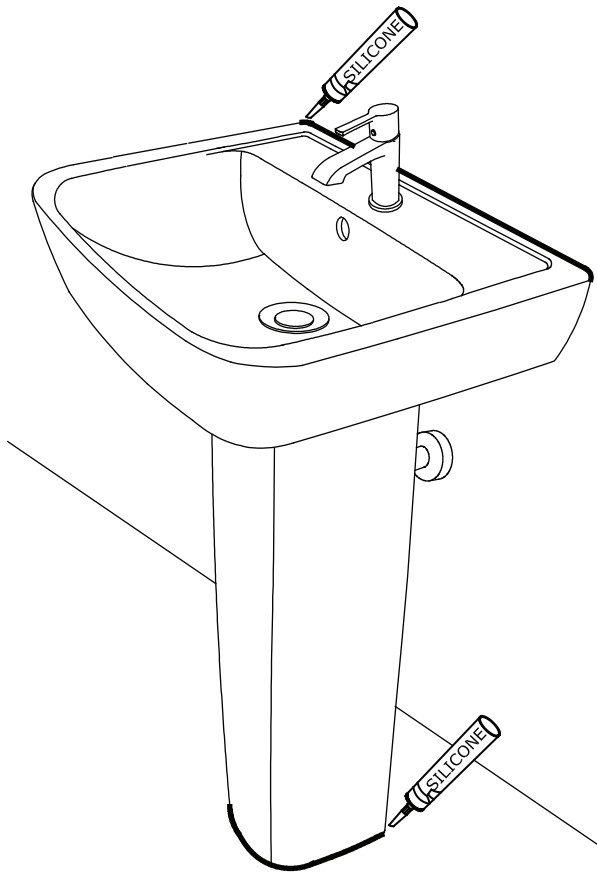


[06]



[07]





essential