

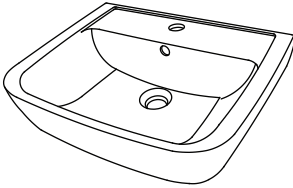
essential

# Lily Basin & Pedestal

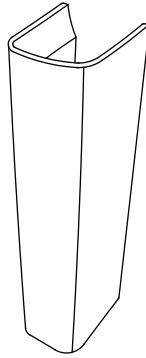


EC1001 55cm Basin  
EC1002 Full Pedestal

[www.essentialfromideal.com](http://www.essentialfromideal.com)



[01] x 1  
550 x 450 x 175mm.



[02] x 1



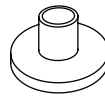
[03] x 2  
120 x 8mm.



[04] x 2  
Ø 12mm.



[05] x 2



[06] x 2



[07] x 2

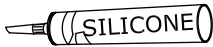
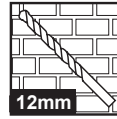
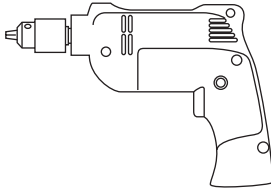
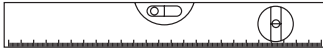
## Things to check before you start

---

- Check basin and Pedestal for any Faults or Damage.
- Shut off Water
- Read Instructions
- Always ensure that wall plugs or fixings are correct for the type of wall that product is being fitted to  
Plasterboard / Stud walls will require Specialised fixings.  
Wall Plugs supplied are for Solid walls.
- Check the pack and make sure you have all the parts listed above. If not, contact your local Bathroom store, who will be able to help you.
- When you are ready to start, make sure that you have the right tools to hand, plenty of space and a clean, dry area for assembly.
- Please note:** although these instructions are comprehensive it is always recommended that a technically competent installer should undertake installation.
- Retain the instruction for future use.

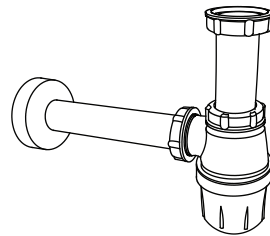
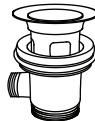
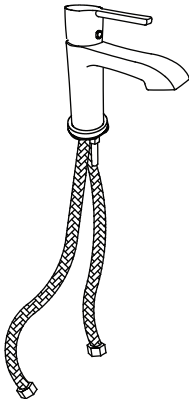
## Tools required (not supplied)

---



## Parts required (not supplied)

---



## Safety

---

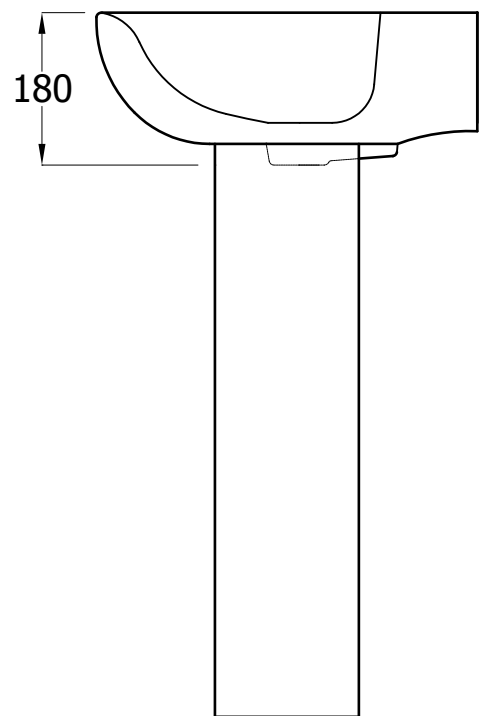
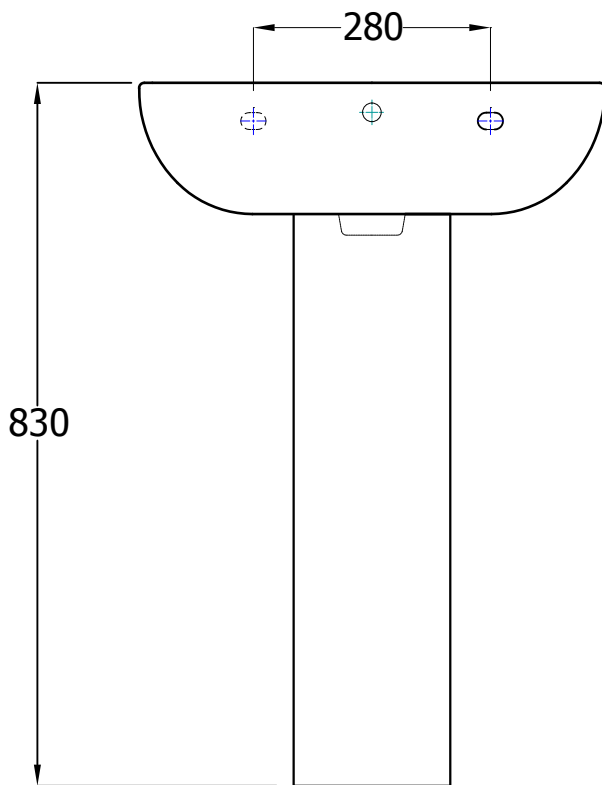
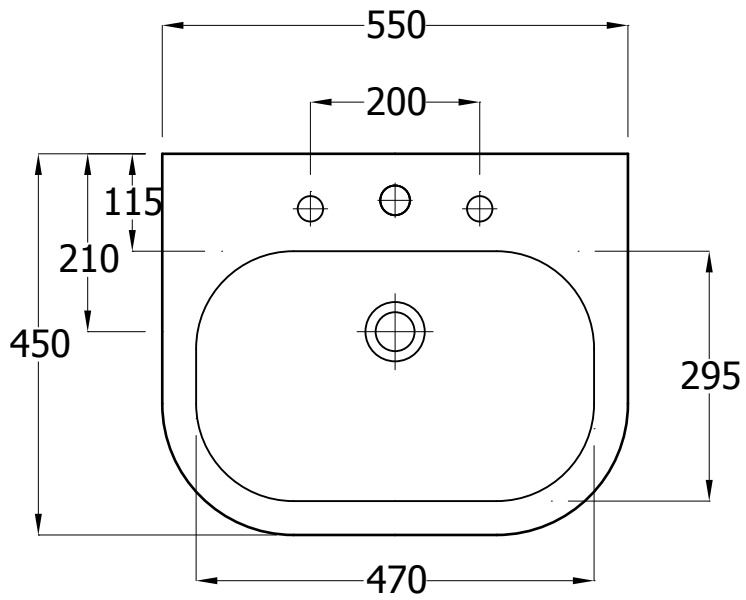
- CAUTION:** Care should always be taken when drilling into walls to avoid any sunken wires or pipes.
- CAUTION:** DO NOT over tighten the fixings otherwise it may damage the product.
- CAUTION:** Fragile – handle the product with care. This product may cause personal injury, property damage or break easily if not handled, positioned and installed with care.
- CAUTION:** Always ensure the product is securely installed before use.
- When the installation is complete, turn the water supply on and check for leaks around the basin, tap and waste connection points.
- Failure to follow these instructions may result in personal injury, damage to the product and property damage.
- Do not strike the basin with hard or pointed items.

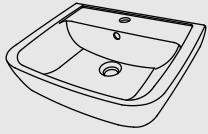
## The 5 golden rules for care

---

- ① Use warm soapy water and a soft cloth to clean the surface of the product.
- ② Never use any solvent, scourers, abrasives, bleach, acids, strong detergents, aggressive chemical cleaners.
- ③ Avoid the sudden introduction of hot water to a cold basin. This may damage the basin.
- ④ Do not drop any hard objects on the basin. Damage may result with crack and leaks.
- ⑤ It is recommended to check all fittings for security and tightness at regular intervals.

# Lily Basin & Pedestal

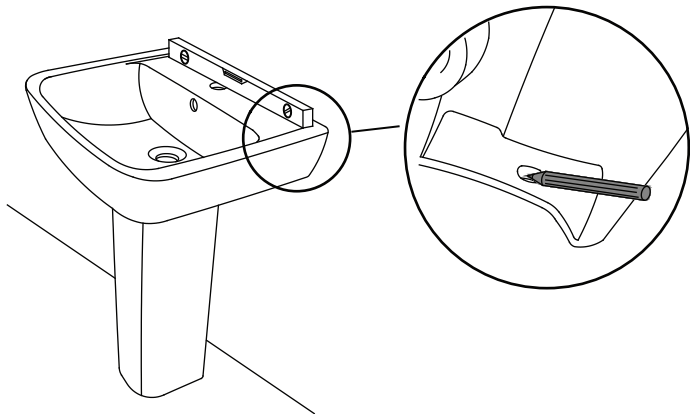
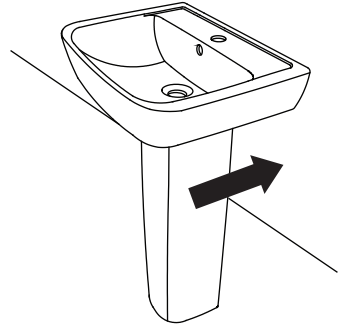
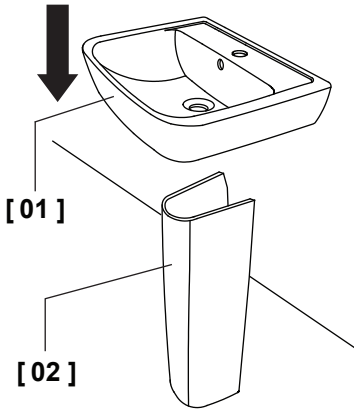




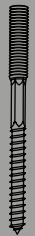
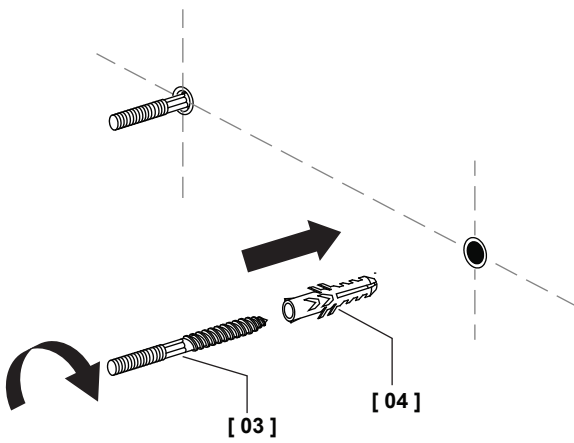
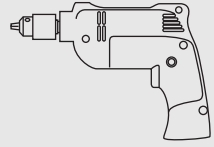
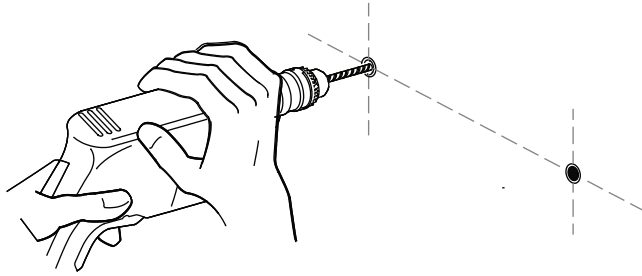
[ 01 ]



[ 02 ]







[ 03 ]

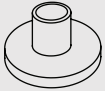


[ 04 ]





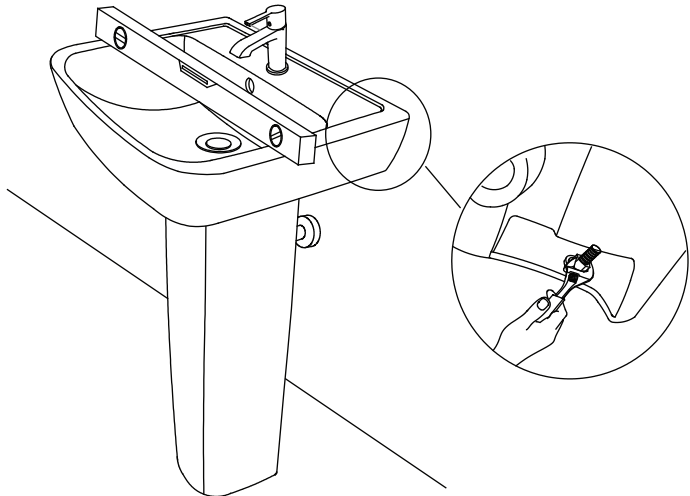
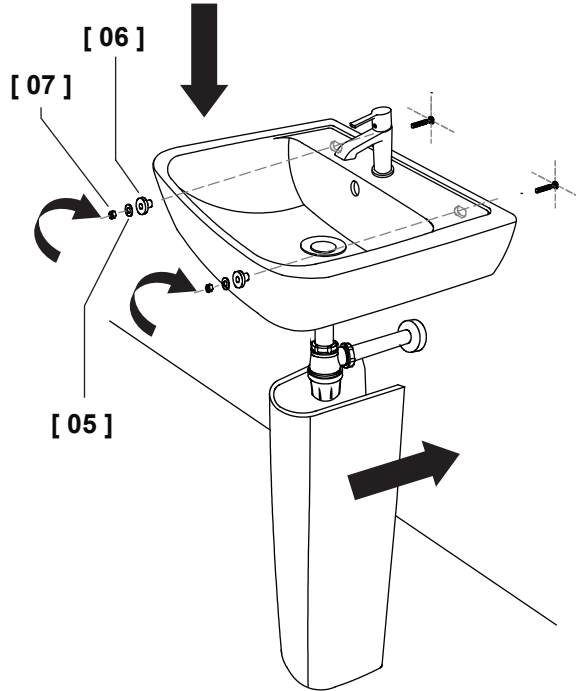
[ 05 ]

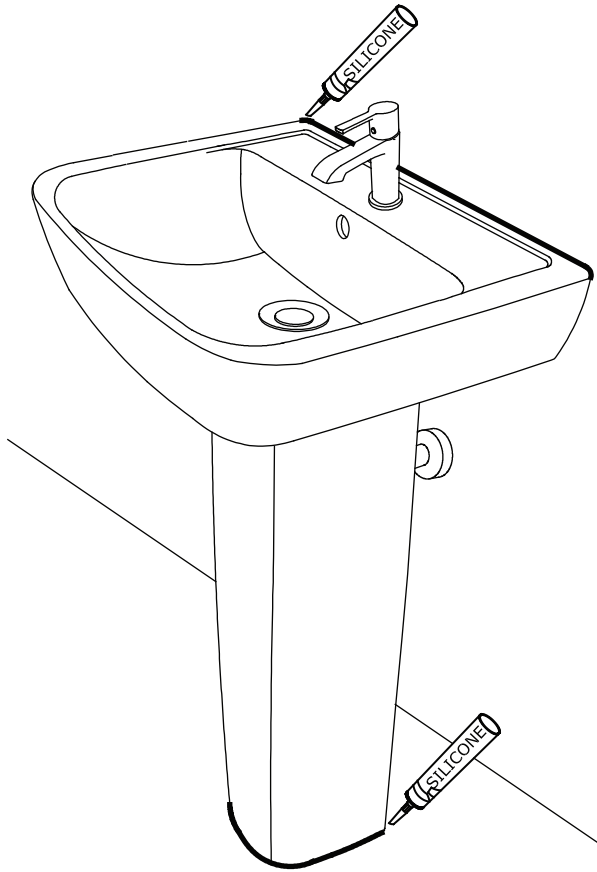


[ 06 ]



[ 07 ]





essential