

essential

Lily WC



EC1003 WC Pack (No Seat)

www.essentialfromideal.com



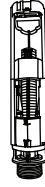
[01] x 1
Push button
(Pre-fitted)



[02] x 1
Push button cover
(Pre-fitted)



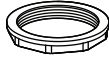
[03] x 1
Fixing nut
(Pre-fitted)



[04] x 1
Flush valve
(Pre-fitted)



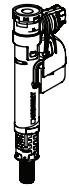
[05] x 1
Rubber washer
(Pre-fitted)



[06] x 1
Fixing nut
(Pre-fitted)



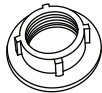
[07] x 1
Rubber
Doughnut



[08] x 1
Inlet Valve
(Pre-fitted)



[09] x 1
Inlet Rubber washer
(Pre-fitted)



[10] x 1
Back nut
(Pre-fitted)



[11] x 2
Sealing washer
(Pre-fitted)



[12] x 4
Flat Rubber washer
(Assembled)



[13] x 4
Flat washer
(Assembled)



[14] x 2
Nut
(Pre-fitted)



[15] x 2
Wing nut
(Assembled)



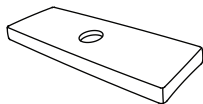
[16] x 1
Inlet Dummy
(Pre-fitted)



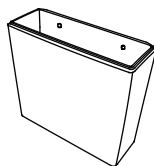
[17] x 1
Dummy Rubber
(Pre-fitted)



[18] x 1
Back Nut
(Pre-fitted)



[19] x 1
Cistern lid



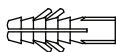
[20] x 1
Cistern



[21] x 1
Pan



[22] x 2
L-shape Bracket



[23] x 2
Fixing Plug



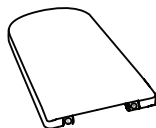
[24] x 2
Washer



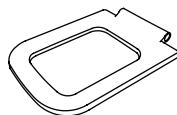
[25] x 2
Plastic Bushes



[26] x 2
Chrome Plated
Cap



[27] x 1
Toilet Seat Lid



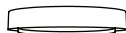
[28] x 1
Toilet Seat Ring
(Assembled)



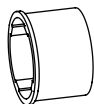
[29] x 2
Soft Close Barrels
(Assembled)



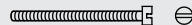
[30] x 2
Pan to Seat Fixings



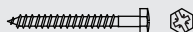
[31] x 2
Pan & Seat
Fitting Covers



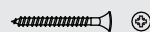
[32] x 2
Plastic Bushes
(Assembled)



[33] x 2 Bolt (Pre-fitted)
(10 x 65mm)



[34] x 2 Bolt
(11 x 65mm)



[35] x 2 Screw
(5 x 45mm)

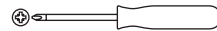
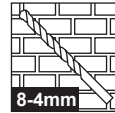
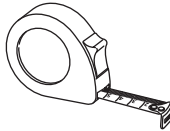
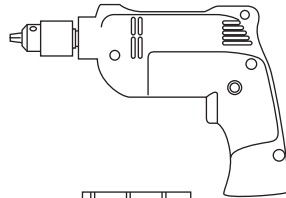
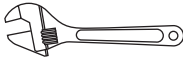
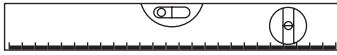
Things to check before you start

- Check the pack and make sure you have all the parts listed above. If not, contact your local showroom, who will be able to help you.
- When you are ready to start, make sure that you have the right tools to hand, plenty of space and a clean, dry area for assembly.
- Please note:** although these instructions are comprehensive, it is always recommended that a technically competent installer should undertake installation.
- Please read the instruction before you start.
- Please inspect the WC for any damages before installation.
- Retain the instruction for future use.

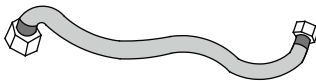
Tools required (supplied)



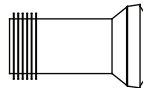
Tools required (not supplied)



Parts required (not supplied)

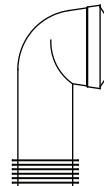


[36] x 1
Flexible connection
Hose 1/2" - 30cm.



[37] x 1
Straight Adjustable
Connector

(Or)



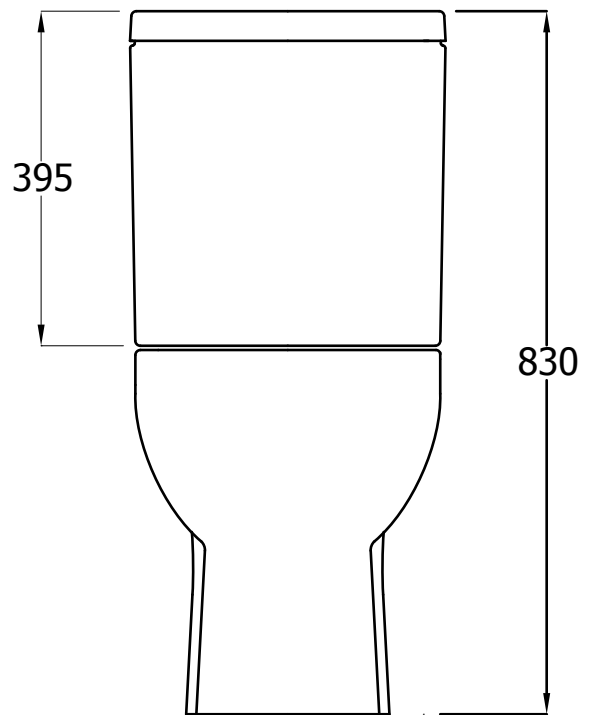
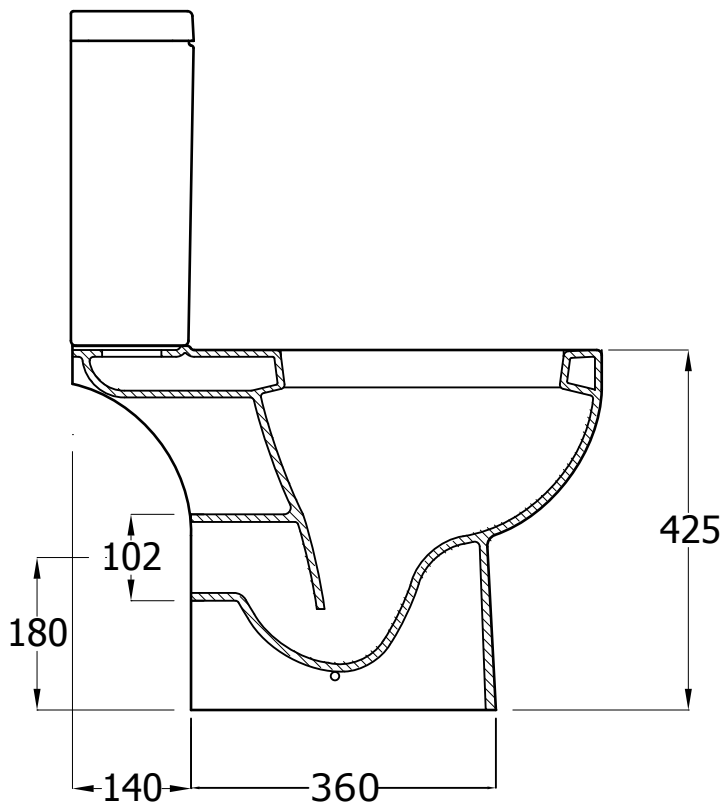
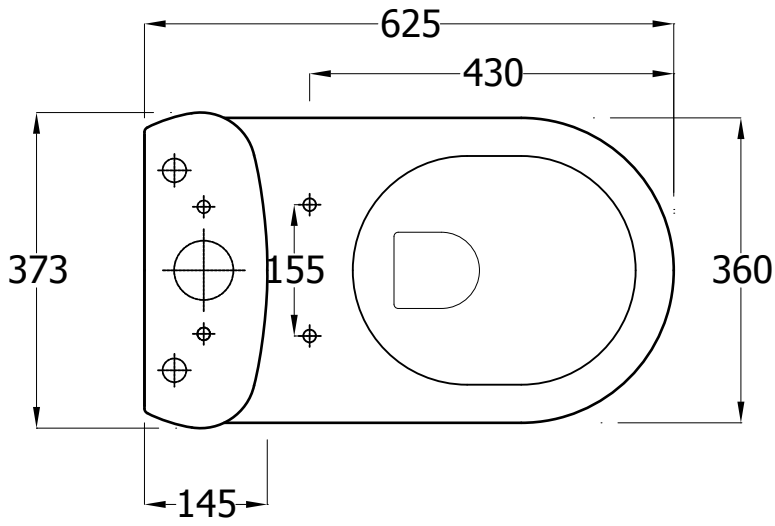
[38] x 1
90° L Bend

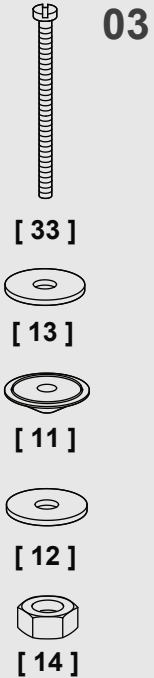
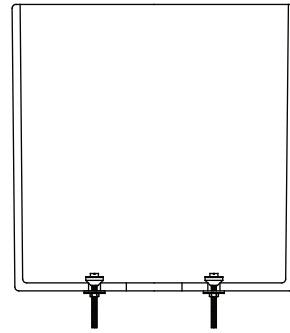
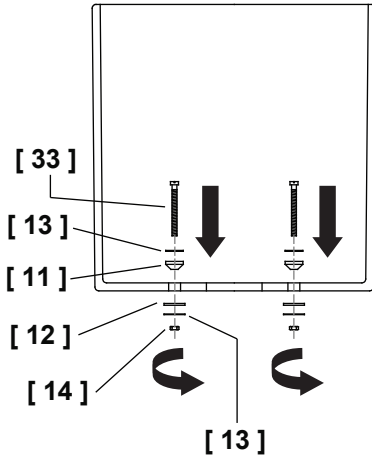
Safety

- For Domestic use only
- Shut off Water
- CAUTION:** Care should always be taken when drilling into wall and floor to avoid any sunken wires or pipes.
- CAUTION:** DO NOT over tighten the fixings otherwise it may damage the product.
- CAUTION:** Fragile – handle the product with care. This product may cause personal injury, property damage or break easily if not handled, positioned and installed with care.
- CAUTION:** Always ensure the product is securely installed before use.
- When the installation is complete, turn the water supply on and check for leaks around the toilet, cistern, inlet and waste connection points.
- Failure to follow these instructions may result in personal injury, damage to the product and property damage.
- Do not strike the WC with hard or pointed items.

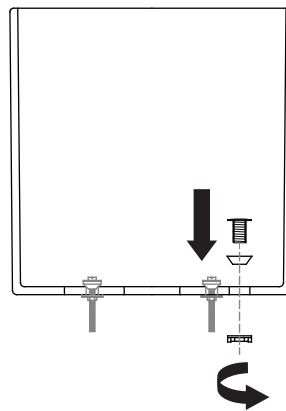
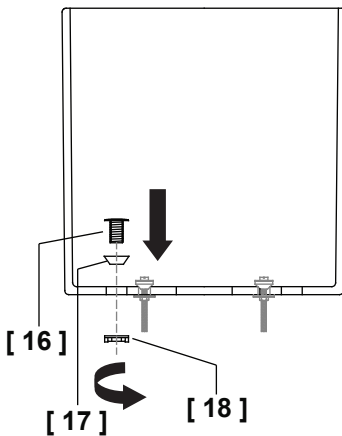
The 12 golden rules for care

- ① Use warm soapy water and a soft cloth to clean the surface of the product.
- ② Never use any solvent, scourers, abrasives, bleach, acids, strong detergents, aggressive chemical cleaners.
- ③ Use of metal brush will create a metal marks in the bowl.
- ④ To facilitate cleaning of the product, the toilet seat and cover may be removed before cleaning.
- ⑤ **WARNING:** Do not use cistern cleaners containing chlorine (calcium hypochlorite). These can seriously damage the product.
- ⑥ Do not forcefully open or close the toilet seat and cover. This may cause injury or damage to the product.
- ⑦ Avoid the sudden introduction of hot water to a cold toilet. This may damage the toilet.
- ⑧ Never stand on the toilet rim, seat or cover. Standing on the toilet, seat or cover may result in serious product damage and personal injury.
- ⑨ Lighted cigarettes should not be placed on the seat or cover.
- ⑩ Do not drop any hard objects on the toilet, seat or cover. Damage may result with cracks and leaks.
- ⑪ If the toilet or seat is damaged and cracked discontinue use immediately and replace the unit. Failure to do so may result in serious injury or property damage.
- ⑫ It is recommended to check all fittings for security and tightness at regular intervals.





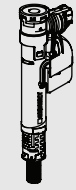
Note: Pre-fitted



Note: Pre-fitted

Note: The Inlet Dummy is reversible, This can be removed and fixed to the other side
WARNING: If repositioning the inlet dummy the nut must only be done up finger tight. If the nut is over tightened this will deform the domed bolt head which may cause leaks.

05



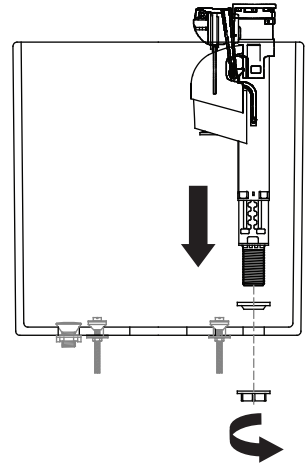
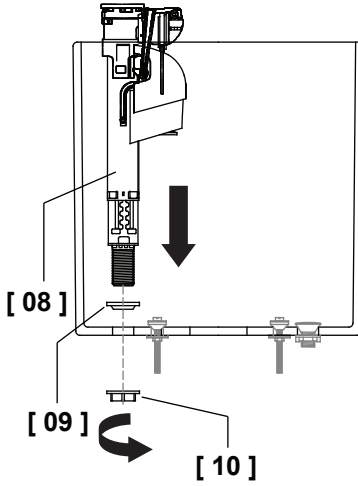
[08]



[09]



[10]



Note : Pre-fitted

06



[01]



[02]



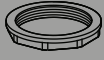
[03]



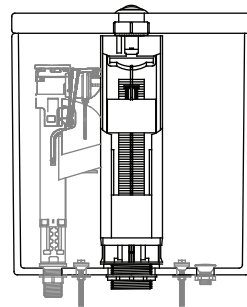
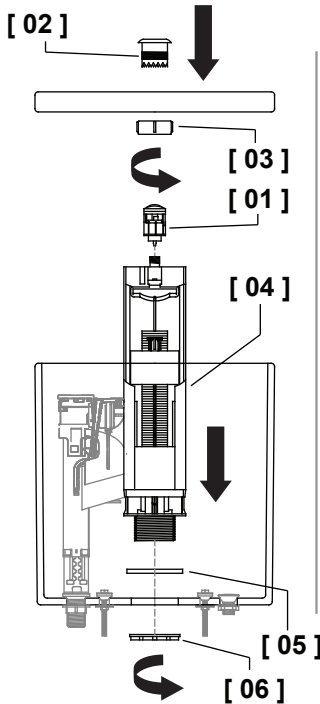
[04]



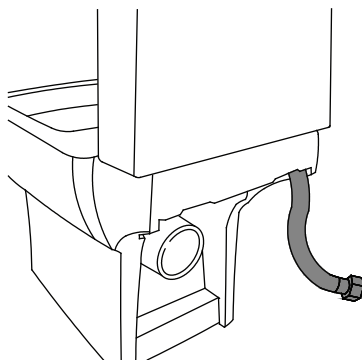
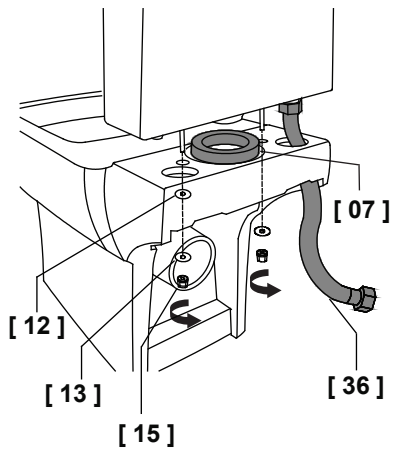
[05]



[06]



Note : Pre-fitted



07



[12]



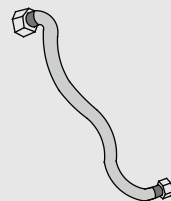
[13]



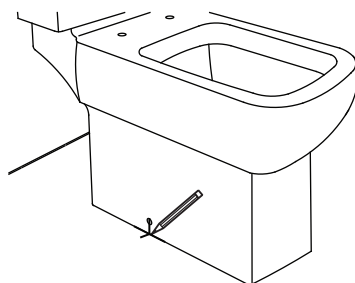
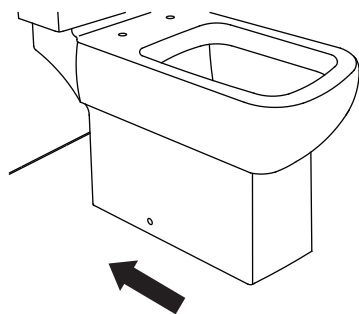
[15]



[07]



[36]



08



09



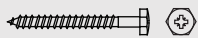
[23]



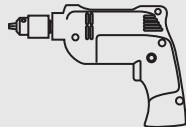
[22]



[24]



[34]



[34]

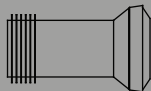
[24]

[22]

[23]

45mm.

10

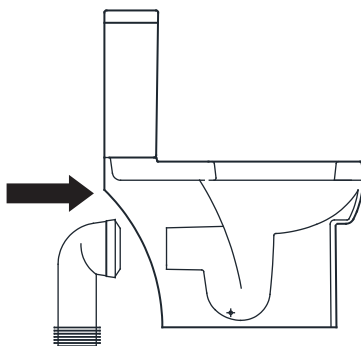
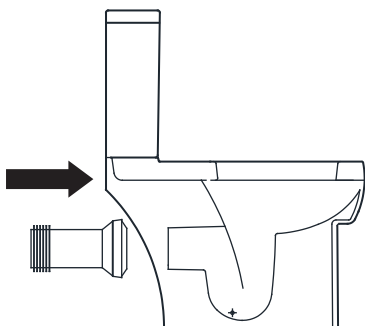


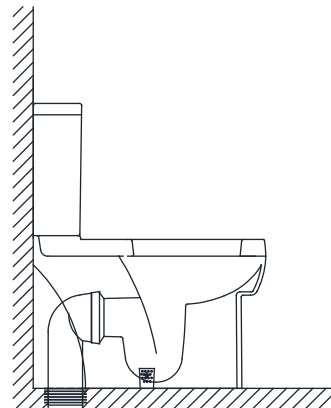
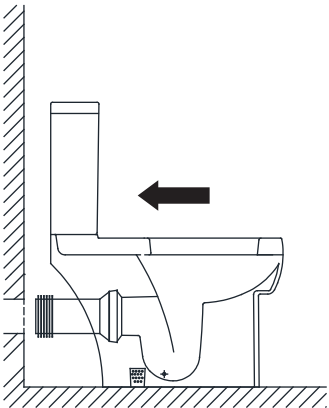
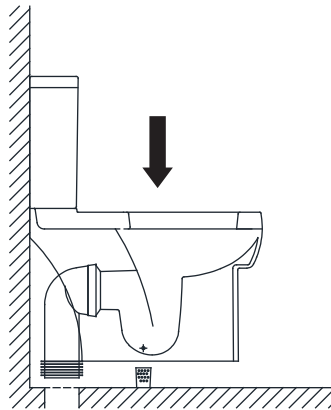
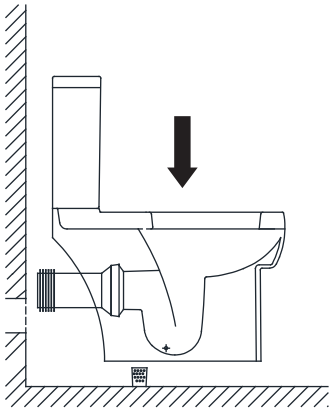
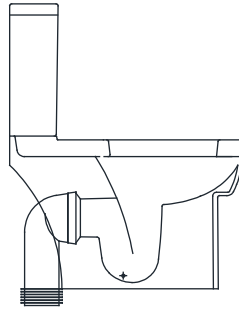
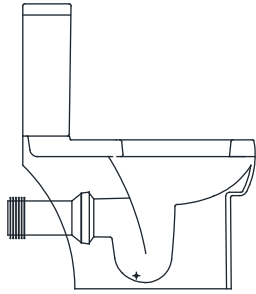
[37]

(or)



[38]





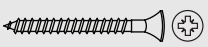
11



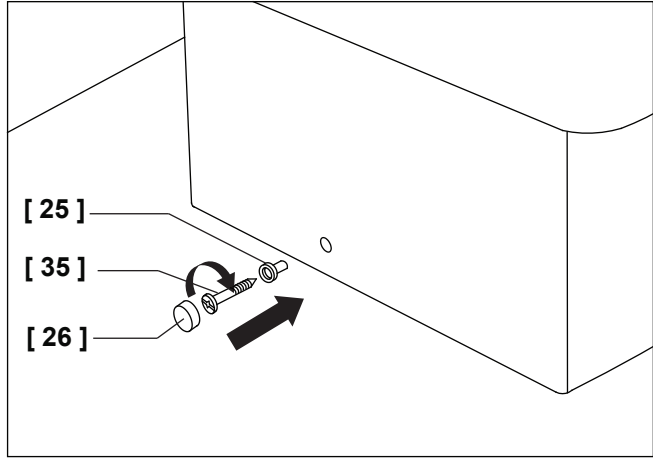
[26]



[25]



[35]



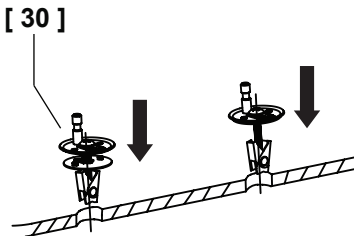
12



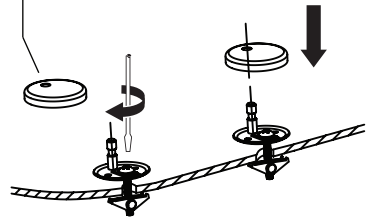
[30]



[31]



[31]





Warning: make sure about the correct positioning of the cartridge (corresponding of R-right and L-left both on the cartridge and on the seat).

Attention: the wrong assembling may cause serious damages to the toilet seat, therefore layout instructions must be strictly followed.

