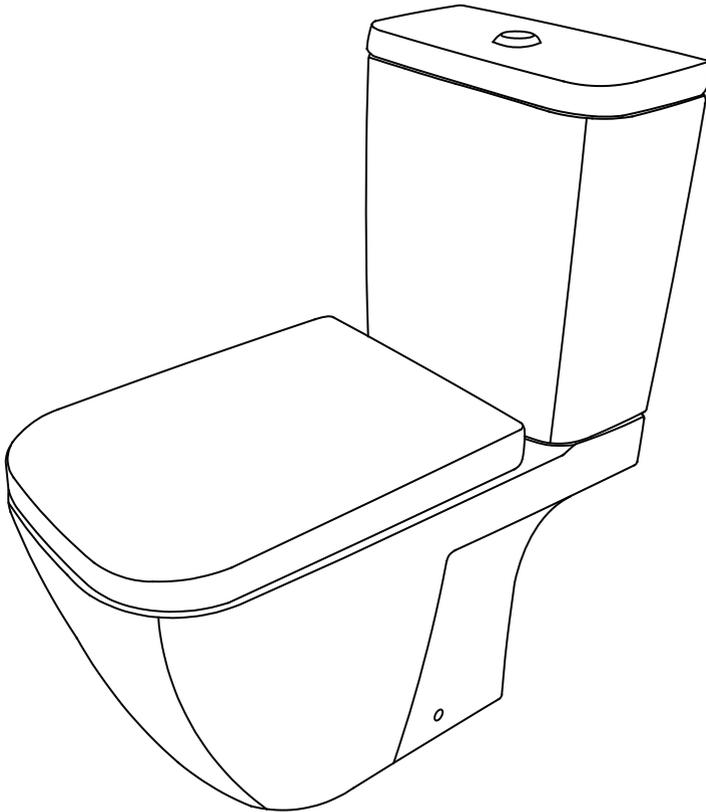


essential

Fuchsia WC





[01] x 1
Push button
(Pre-fitted)



[02] x 1
Push button cover
(Pre-fitted)



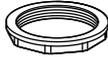
[03] x 1
Fixing nut
(Pre-fitted)



[04] x 1
Flush valve
(Pre-fitted)



[05] x 1
Rubber washer
(Pre-fitted)



[06] x 1
Fixing nut
(Pre-fitted)



[07] x 1
Rubber
Doughnut



[08] x 1
Inlet Valve
(Pre-fitted)



[09] x 1
Inlet Rubber washer
(Pre-fitted)



[10] x 1
Back nut
(Pre-fitted)



[11] x 2
Sealing washer
(Pre-fitted)



[12] x 4
Flat Rubber washer
(Assembled)



[13] x 4
Flat washer
(Assembled)



[14] x 2
Nut
(Pre-fitted)



[15] x 2
Wing nut
(Assembled)



[16] x 1
Inlet Dummy
(Pre-fitted)



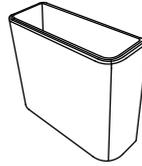
[17] x 1
Dummy Rubber
(Pre-fitted)



[18] x 1
Back Nut
(Pre-fitted)



[19] x 1
Cistern lid



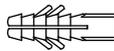
[20] x 1
Cistern



[21] x 1
Pan



[22] x 2
L-shape Bracket



[23] x 2
Fixing Plug



[24] x 2
Washer



[25] x 2
Plastic Bushes



[26] x 2
Chrome Plated
Cap



[27] x 1
Toilet Seat Lid



[28] x 1
Toilet Seat Ring
(Assembled)



[29] x 2
Soft Close Barrels
(Assembled)



[30] x 2
Pan to Seat Fixings



[31] x 2
Pan & Seat
Fitting Covers



[32] x 2
Plastic Bushes
(Assembled)



[33] x 2 Bolt (Pre-fitted)
(10 x 65mm)



[34] x 2 Bolt
(11 x 65mm)

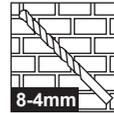
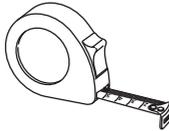
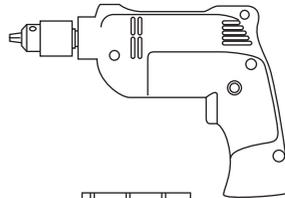
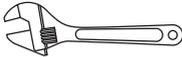
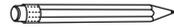
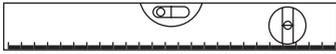


[35] x 2 Screw
(5 x 60mm)

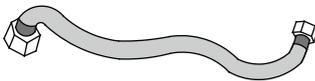
Tools required (supplied)



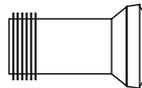
Tools required (not supplied)



Parts required (not supplied)

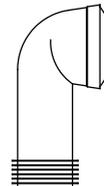


[36] x 1
Flexible connection
Hose 1/2" - 30cm.



[37] x 1
Straight Adjustable
Connector

(Or)

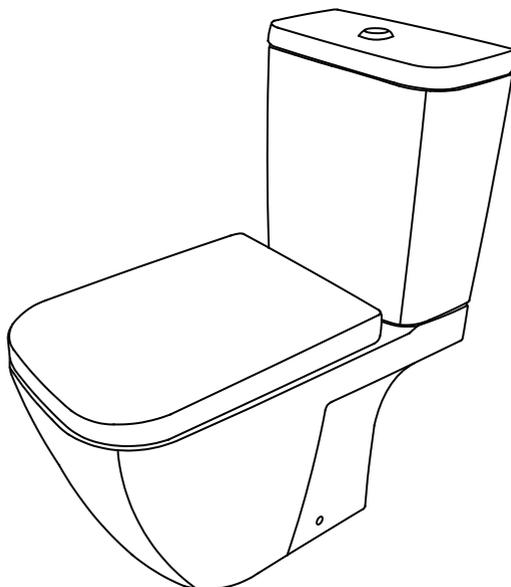


[38] x 1
90° L Bend

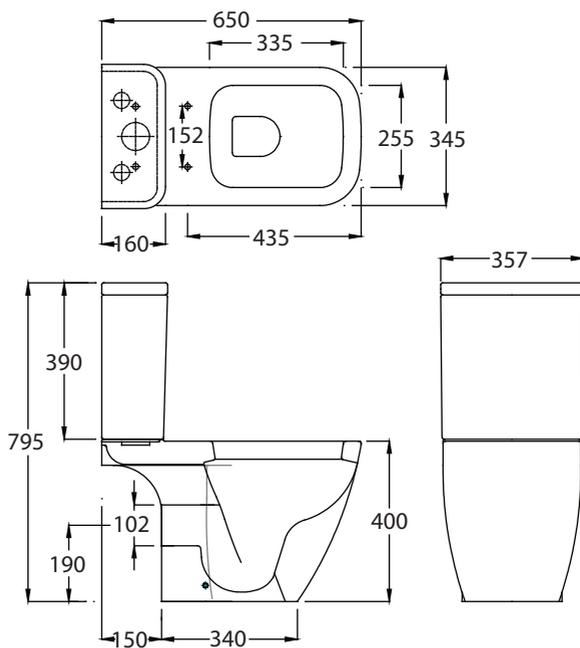
The 12 golden rules for care

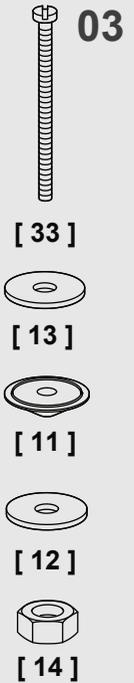
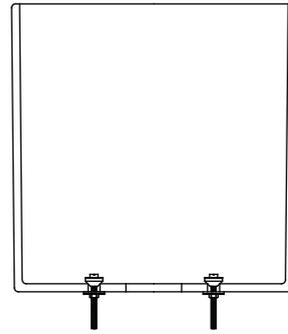
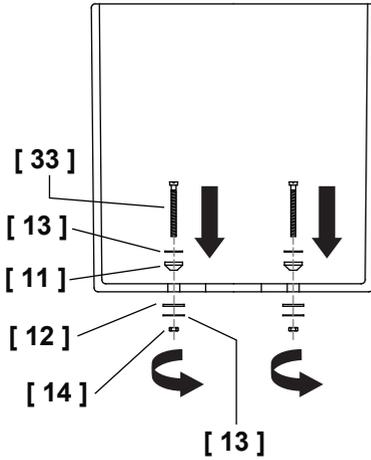
- ① Use warm soapy water and a soft cloth to clean the surface of the product.
- ② Never use any solvent, scourers, abrasives, bleach, acids, strong detergents, aggressive chemical cleaners.
- ③ Use of metal brush will create a metal marks in the bowl.
- ④ To facilitate cleaning of the product, the toilet seat and cover may be removed before cleaning.
- ⑤ **WARNING:** Do not use cistern cleaners containing chlorine (calcium hypochlorite). These can seriously damage the product.
- ⑥ Do not forcefully open or close the toilet seat and cover. This may cause injury or damage to the product.
- ⑦ Avoid the sudden introduction of hot water to a cold toilet. This may damage the toilet.
- ⑧ Never stand on the toilet rim, seat or cover. Standing on the toilet, seat or cover may result in serious product damage and personal injury.
- ⑨ Lighted cigarettes should not be placed on the seat or cover.
- ⑩ Do not drop any hard objects on the toilet, seat or cover. Damage may result with cracks and leaks.
- ⑪ If the toilet or seat is damaged and cracked discontinue use immediately and replace the unit. Failure to do so may result in serious injury or property damage.
- ⑫ It is recommended to check all fittings for security and tightness at regular intervals.

01

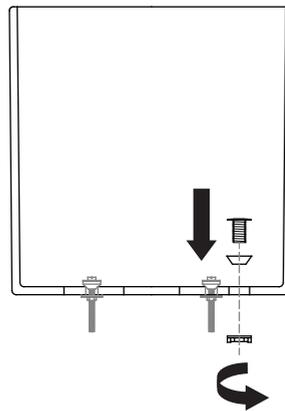
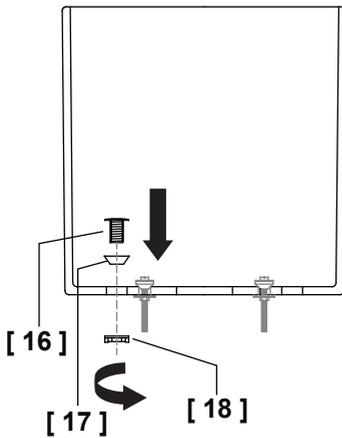


02





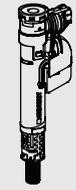
Note: Pre-fitted



Note: Pre-fitted

Note: The Inlet Dummy is reversible, This can be removed and fixed to the other side
WARNING: If repositioning the inlet dummy the nut must only be done up finger tight. If the nut is over tightened this will deform the domed bolt head which may cause leaks.

05



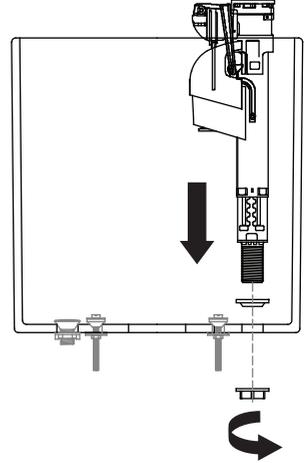
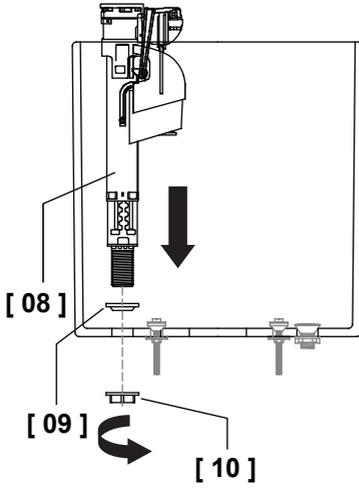
[08]



[09]



[10]



Note : Pre-fitted

06



[01]



[02]



[03]



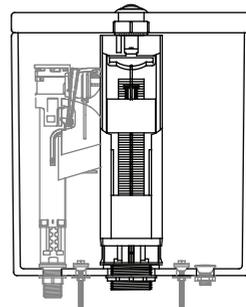
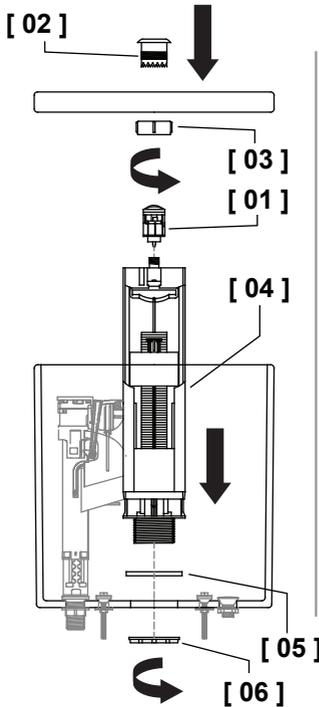
[04]



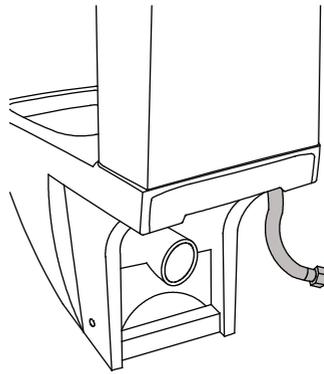
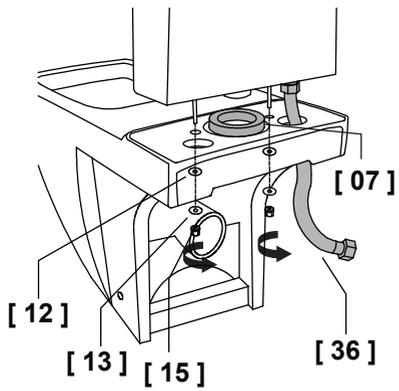
[05]



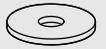
[06]



Note : Pre-fitted



07



[12]



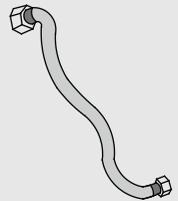
[13]



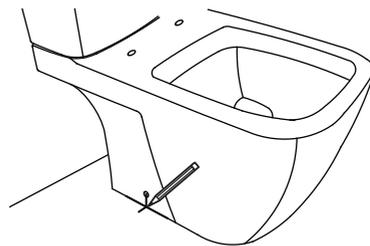
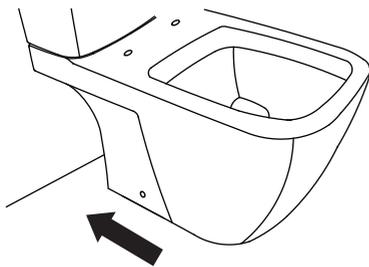
[15]



[07]



[36]



08



09



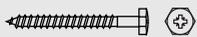
[23]



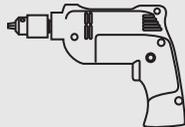
[22]



[24]



[34]



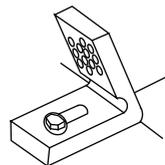
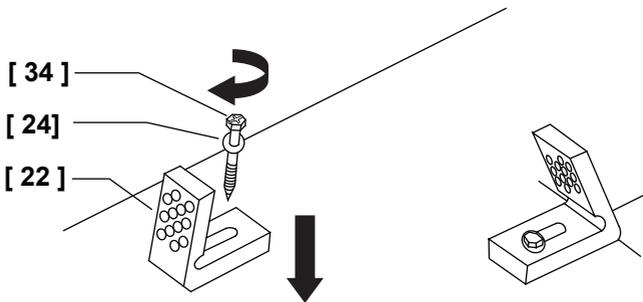
[34]

[24]

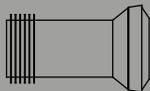
[22]

[23]

60mm.

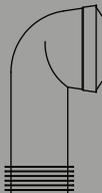


10

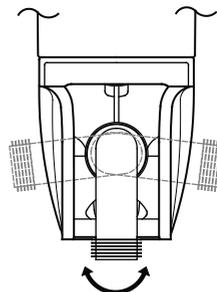
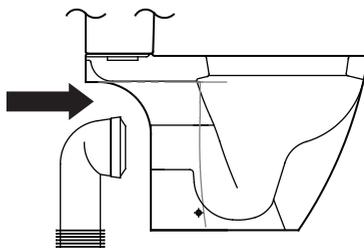
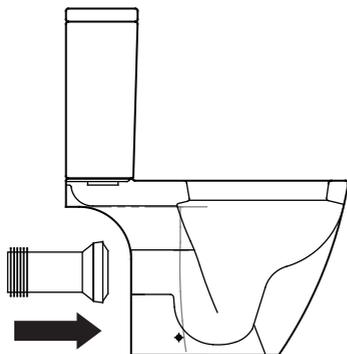


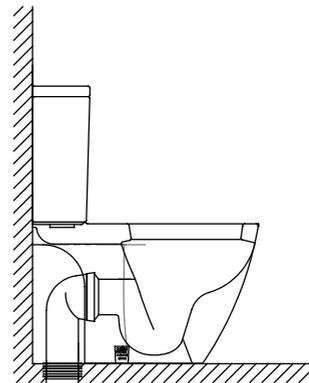
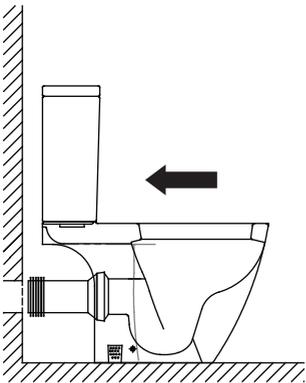
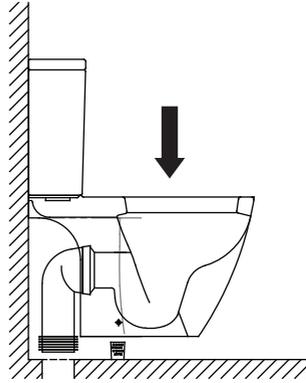
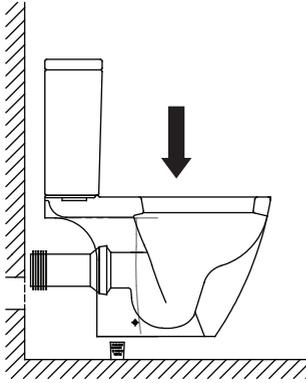
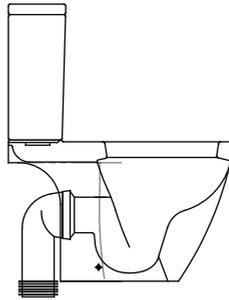
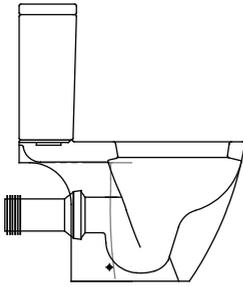
[37]

(or)



[38]





11



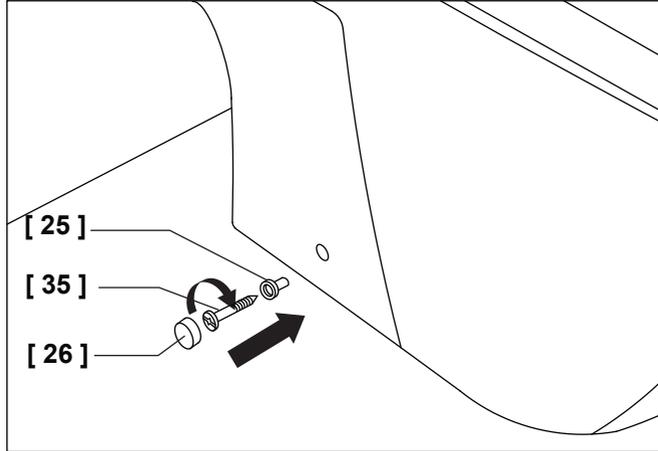
[26]



[25]



[35]



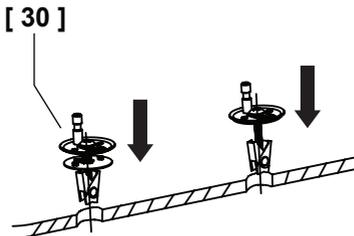
12



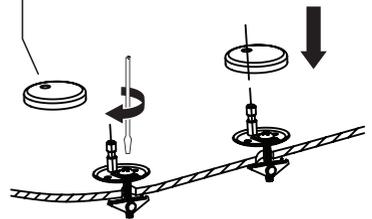
[30]

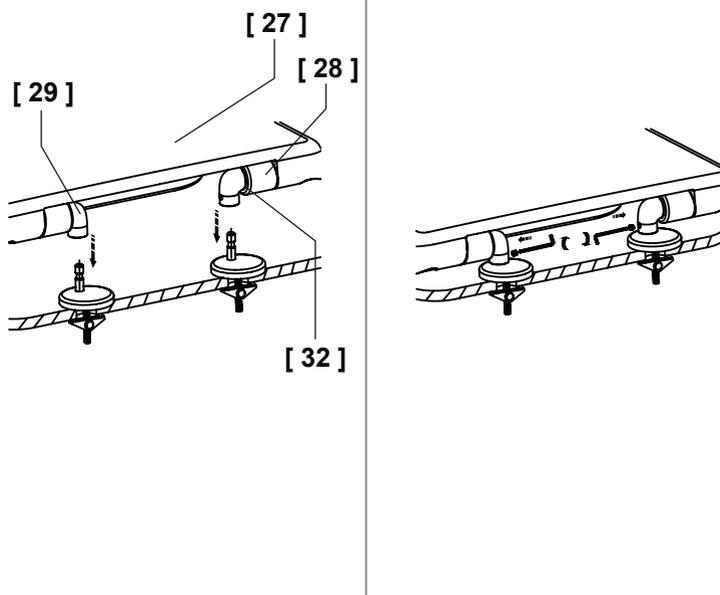


[31]

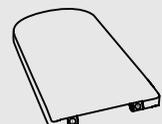


[31]





13



[27]



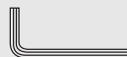
[28]



[29]



[32]



PLEASE REMOVE THIS BUFFERS AFTER INSTALLATION



14

essential

www.essentialfromideal.com