

EXTERNALLY SILICONE SEAL THE WALL PROFILES WHERE THEY MEET THE WALL AND THE BOTTOM PROFILE WHERE IT MEETS THE TRAY. ALL IN A CONTINUOUS BEAD.

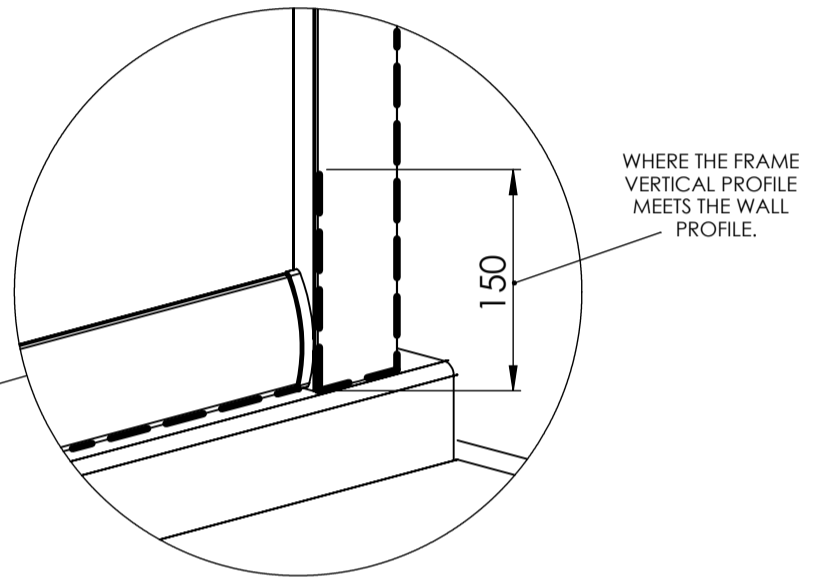
ALSO SILICONE 150mm HIGH AS SHOWN IN DETAILED VIEW BELOW.

DO NOT SILICONE INSIDE THE ENCLOSURE

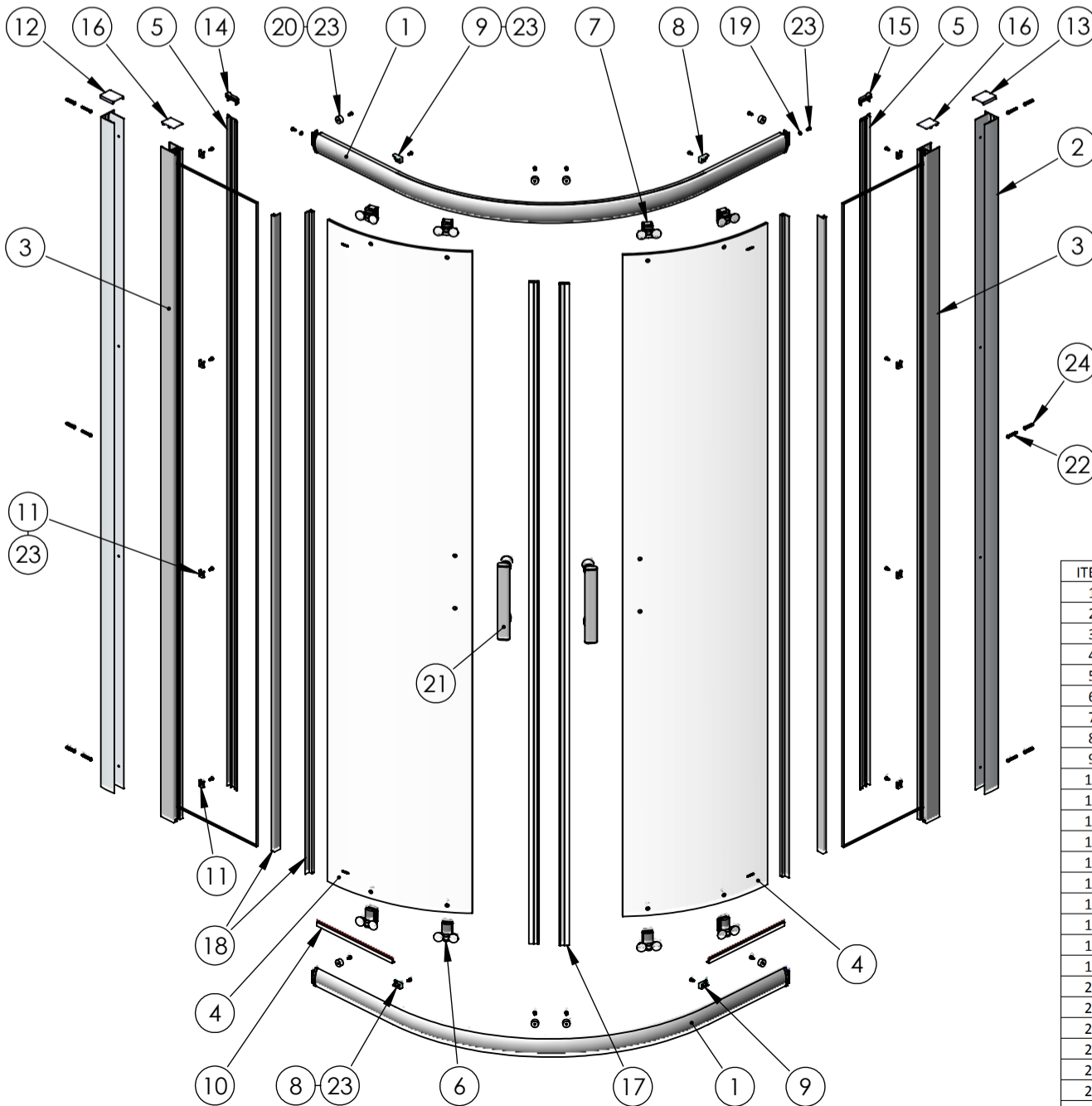
ALLOW THE SILICONE AT LEAST 24 HOURS TO FULLY CURE

TROUBLE SHOOTING GUIDE

1. IS THE TRAY LEVEL (SEE STEP 1).
2. ARE THE TOP AND BOTTOM TRACKS FULLY INSERTED AND FLUSH WITH THE VERTICAL PROFILES (SEE STEP 2).
3. ARE THE RETAINER SCREWS FITTED TO LOCK THE TOP TRACK IN PLACE (SEE STEP 2).
4. ARE THE BOTTOM SEALS FITTED (SEE STEP 3).
5. ARE THE WALL PROFILES STEPPED IN 10mm FROM THE EDGE OF THE TRAY (SEE STEP 4).
6. ARE THE WALL PROFILES PLUMB VERTICALLY (SEE STEP 4).
7. DO THE FINISHED TRAY MEASUREMENTS COMPLY WITH THE ADJUSTMENTS LISTED IN THE PRODUCT SPECIFICATION.
8. HAVE THE FIXED PANELS BEEN PROPERLY SECURED (SEE STEP 3).
9. WHEN CONSIDERING THE LENGTH OF THE TOP TRACK ALSO CONSIDER THE VERTICAL PROFILES THAT ARE SECURED TO IT WHICH INCREASE ITS LENGTH.



QUAD / OFFSET QUAD EASY FIT ENCLOSURE INSTRUCTION



UNPACK THE BOX AND ENSURE ALL COMPONENTS ARE PRESENT.

NO REFUNDS OR REFITTING COST WILL BE GIVEN IF INCOMPLETE OR DAMAGED GOODS ARE FITTED.

THE TOUGHENED SAFETY GLASS SHOULD BE HANDLED WITH CARE AS IMPACTS WILL DAMAGE THE GLASS OR ENCLOSURE.

FIT THE SHOWER TRAY AS PER THE MANUFACTURERS INSTRUCTIONS.

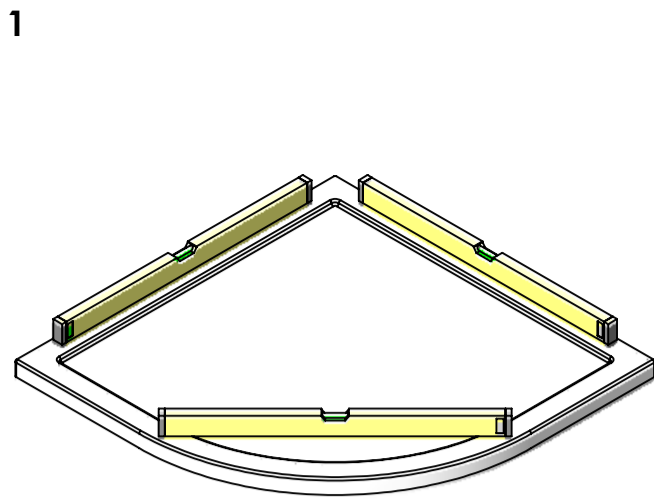
NOTE: IF THE TRAY ISN'T TRUE AND LEVEL, IT MUST BE RECTIFIED BEFORE SILICONING AROUND THE TOP EDGE OF THE TRAY WHERE IT MEETS THE TILES. ALLOW THE SILICONE TO DRY BEFORE FITTING THE ENCLOSURE.

THE ENCLOSURE INSTALLATION IS RECOMMENDED AS A TWO MAN OPERATION.

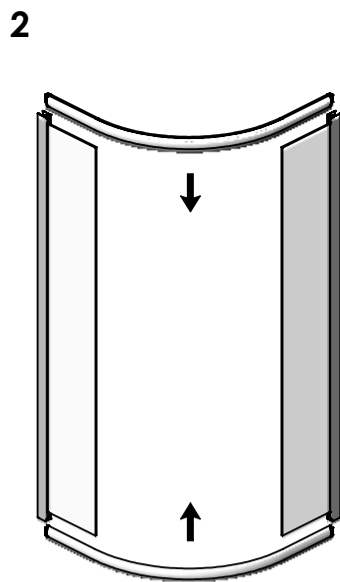
TOOLS REQUIRED

- POWER DRILL - 3mm DRILL BIT - 6mm MASONRY DRILL BIT
- CROSS HEAD SCREW DRIVER - TAPE MEASURE - PENCIL
- SILICONE GUN WITH SANITARY GRADE SEALANT - SPIRIT LEVEL
- RUBBER HEAD Mallet

ITEM	DESCRIPTION	Notes	QTY
1	TOP / BOTTOM TRACK		2
2	WALL PROFILE		2
3	FIXED PANEL SUB ASSEMBLY		2
4	DOOR GLASS		2
5	SCREW COVER PROFILE	OPTIONAL ON SOME MODELS	2
6	BOTTOM ROLLER (SPRING LOADED)		4
7	TOP ROLLER (SCREW ADJUSTED)		4
8	GLASS CLIP RH		2
9	GLASS CLIP LH		2
10	GLASS BOTTOM SEAL		2
11	SCREW COVER PROFILE FIXING CLIPS	OPTIONAL ON SOME MODELS	8
12	WALL PROFILE TOP CAP LH		1
13	WALL PROFILE TOP CAP RH		1
14	SCREW COVER PROFILE CAP LH	OPTIONAL ON SOME MODELS	1
15	SCREW COVER PROFILE CAP RH	OPTIONAL ON SOME MODELS	1
16	RECTANGULAR CAP		2
17	DOOR MAGNET		2
18	VERTICAL SEAL	CUT TO LENGTH AS REQ'D	4
19	NYLON WASHER		2
20	BUMP STOP		8
21	HANDLE SUB ASSEMBLY		2
22	SCREW DIA 3.9mm x 30mm PAN HEAD	FOR FIXING TO WALL	6
23	SCREW DIA 3.9mm x 10mm PAN HEAD		22
24	RAWLPLUG		6
25	SCREW CUP (NOT SHOWN)	ONLY USED WHEN NO ITEM 5 & 11	14
26	SCREW CHROME CAP (NOT SHOWN)	ONLY USED WHEN NO ITEM 5 & 11	14



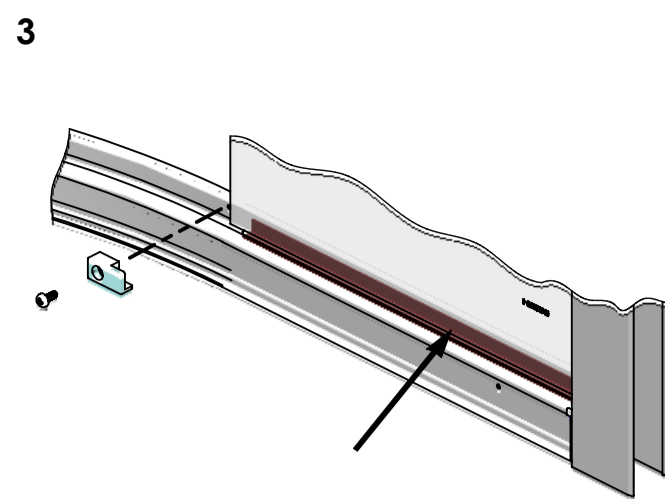
ENSURE THE TRAY IS LEVEL IN ALL PLANES.



SLIDE THE TRACKS ONTO THE FIXED PANEL SUB ASSEMBLY UNTIL FLUSH WITH THE VERTICAL PROFILES.

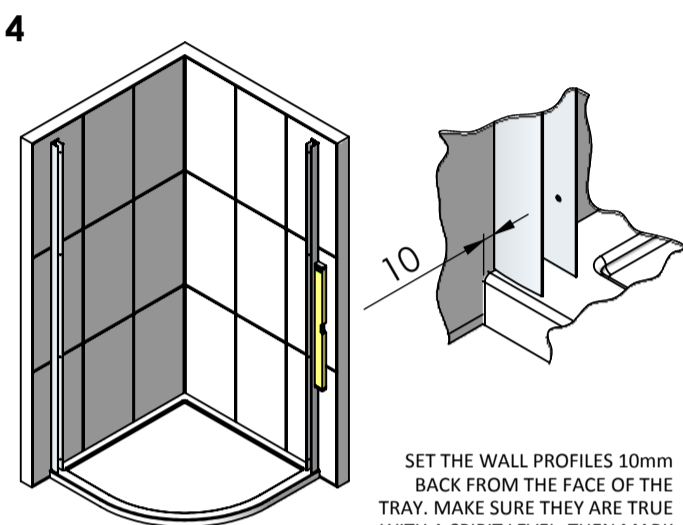
ONCE PARTIALLY ENGAGED IT MAY BE NECESSARY TO LIGHTLY TAP THE TRACK ALL THE WAY HOME. USING A SOFT MALLET.

WHEN THE TOP TRACK IS IN PLACE FIT ITEMS 19 & 23 INTO THE TOP HOLES (WHERE SHOWN) TO LOCK THE TRACK IN PLACE.



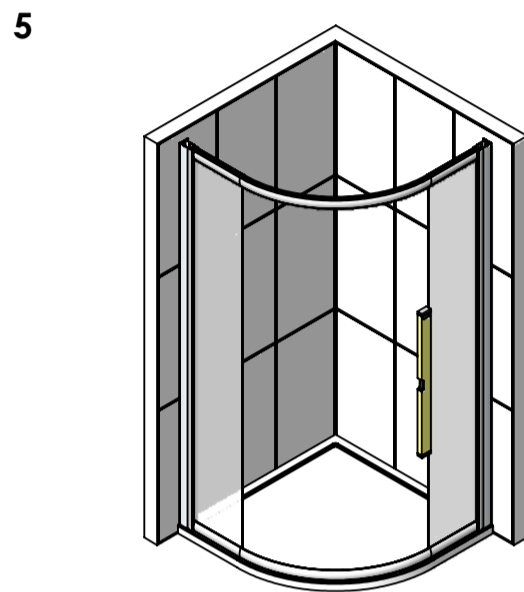
SLIDE ITEM 10 (BOTTOM SEAL x 2) UNDER THE GLASS. THEN CLIP THE GLASS TO THE TRACK USING ITEMS 8 OR 9 (LH OR RH) FIX CLIPS WITH ITEM 23.

THERE IS NO SEAL NEEDED AT THE TOP.

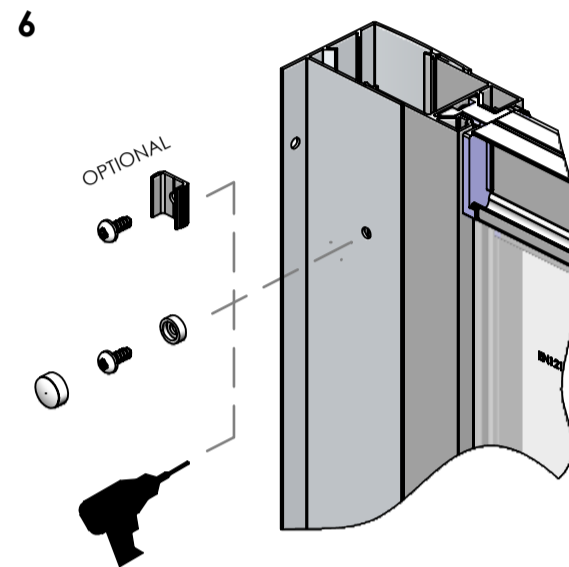


SET THE WALL PROFILES 10mm BACK FROM THE FACE OF THE TRAY. MAKE SURE THEY ARE TRUE WITH A SPIRIT LEVEL, THEN MARK THROUGH THE FIXING HOLES WITH A PENCIL. REMOVE PROFILES THEN DRILL AND PLUG THE WALL (ITEM 24). NOW FIX THE WALL PROFILES IN PLACE USING ITEMS 22, 25* & 26*.

* IF YOU HAVE THE OPTIONAL SCREW COVER PROFILES (ITEM 5) DO NOT USE ITEMS 25 & 26.

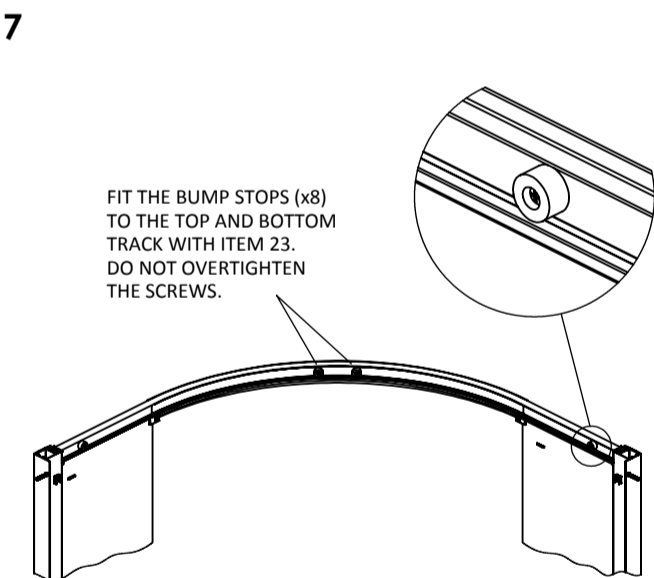


FIT THE FRAME INTO THE WALL PROFILES. ADJUSTING UNTIL THERE IS AN EVEN GAP BETWEEN THE FRONT EDGE OF THE TRAY AND BOTTOM TRACK (12mm). THERE SHOULD ALSO BE AN EQUAL AMOUNT OF FRAME IN EACH WALL PROFILE. ENSURE THE FRAME IS TRUE ON BOTH SIDES BEFORE IT IS FIXED IN PLACE.

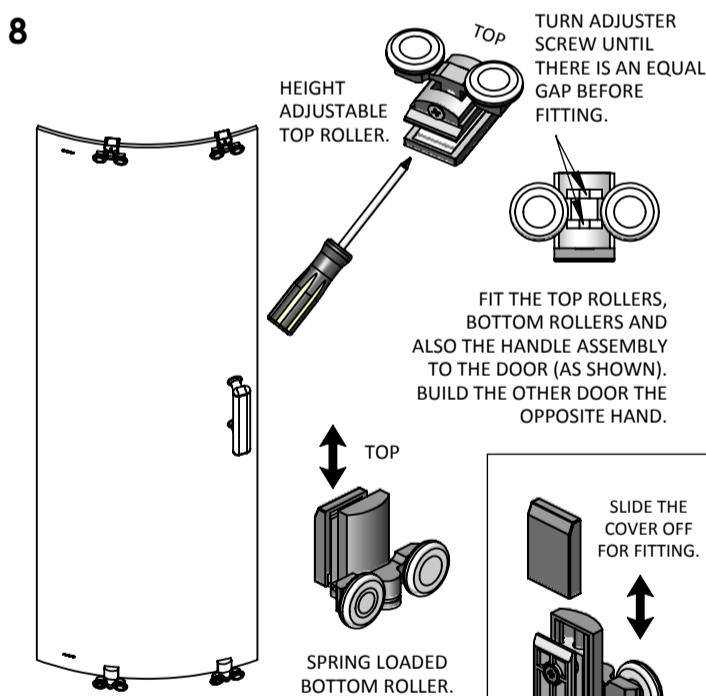


WHEN THE FRAME IS READY TO BE FIXED, DRILL THROUGH THE HOLES IN THE WALL PROFILE WITH A 3mm DRILL. (MAKE SURE YOU ONLY DRILL THROUGH ONE WALL THICKNESS) THEN FIX THE FRAME WITH ITEMS 23, 25* & 26*.

* IF YOU HAVE THE OPTIONAL SCREW COVER PROFILE (ITEM 5) DO NOT USE ITEMS 25 & 26, FIT ITEM 11 UNDER THE SCREW.



FIT THE BUMP STOPS (x8) TO THE TOP AND BOTTOM TRACK WITH ITEM 23. DO NOT OVERTIGHTEN THE SCREWS.



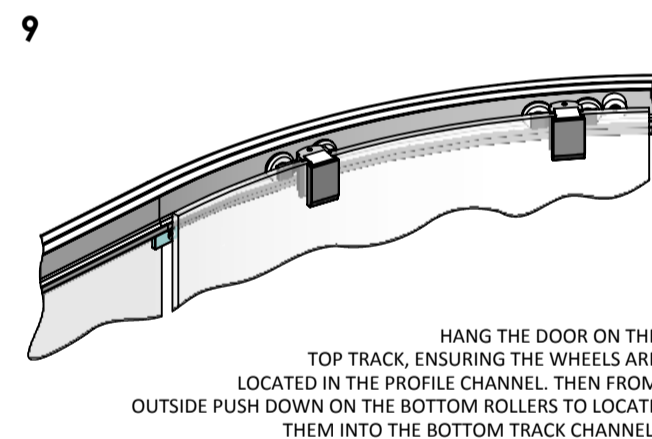
HEIGHT ADJUSTABLE TOP ROLLER.

TURN ADJUSTER SCREW UNTIL THERE IS AN EQUAL GAP BEFORE FITTING.

FIT THE TOP ROLLERS, BOTTOM ROLLERS AND ALSO THE HANDLE ASSEMBLY TO THE DOOR (AS SHOWN). BUILD THE OTHER DOOR THE OPPOSITE HAND.

SPRING LOADED BOTTOM ROLLER.

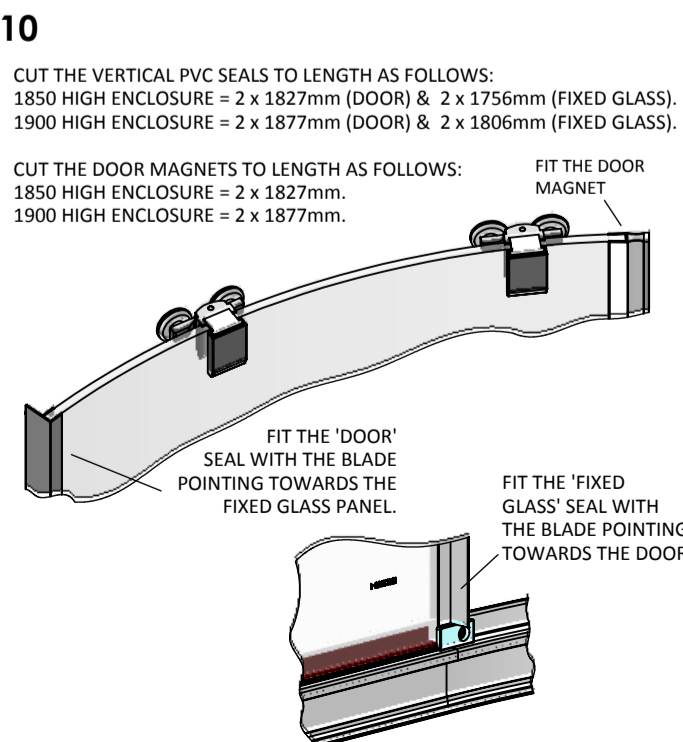
SLIDE THE COVER OFF FOR FITTING.



HANG THE DOOR ON THE TOP TRACK, ENSURING THE WHEELS ARE LOCATED IN THE PROFILE CHANNEL. THEN FROM OUTSIDE PUSH DOWN ON THE BOTTOM ROLLERS TO LOCATE THEM INTO THE BOTTOM TRACK CHANNEL.

WHEN BOTH DOORS ARE FITTED TURN THE ADJUSTER SCREW ON THE TOP ROLLERS TO LEVEL THE DOORS AND MAKE THEM TRUE.

NOTE : WHEN THE DOOR HITS THE TOP BUMP STOP IT SHOULD HIT THE BOTTOM BUMP STOP AT THE SAME TIME.



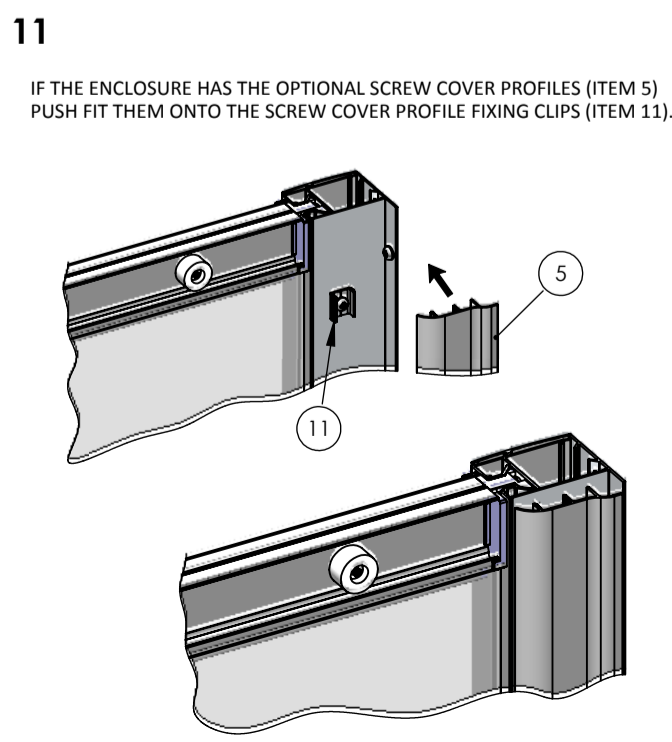
CUT THE VERTICAL PVC SEALS TO LENGTH AS FOLLOWS:
1850 HIGH ENCLOSURE = 2 x 1827mm (DOOR) & 2 x 1756mm (FIXED GLASS).
1900 HIGH ENCLOSURE = 2 x 1877mm (DOOR) & 2 x 1806mm (FIXED GLASS).

CUT THE DOOR MAGNETS TO LENGTH AS FOLLOWS:
1850 HIGH ENCLOSURE = 2 x 1827mm.
1900 HIGH ENCLOSURE = 2 x 1877mm.

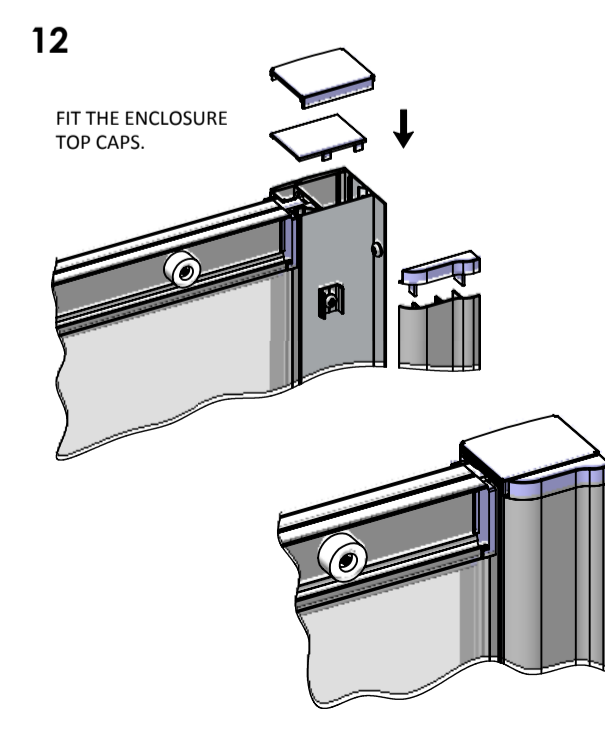
FIT THE DOOR MAGNET

FIT THE 'DOOR' SEAL WITH THE BLADE POINTING TOWARDS THE FIXED GLASS PANEL.

FIT THE 'FIXED GLASS' SEAL WITH THE BLADE POINTING TOWARDS THE DOOR.



IF THE ENCLOSURE HAS THE OPTIONAL SCREW COVER PROFILES (ITEM 5) PUSH FIT THEM ONTO THE SCREW COVER PROFILE FIXING CLIPS (ITEM 11).



FIT THE ENCLOSURE TOP CAPS.