

# Installation and operation instruction

## I. Installation Notice.

1. Floor drain should be installed in the location of the tap.
2. Flush pipes to get rid of any debris blocked in pipes before installation.
3. After installation, turn all the joints to make sure they are firmly connected. Then turn water on and off repeatedly to ensure there are no leaks around the joints then the product can be used normally at this stage.

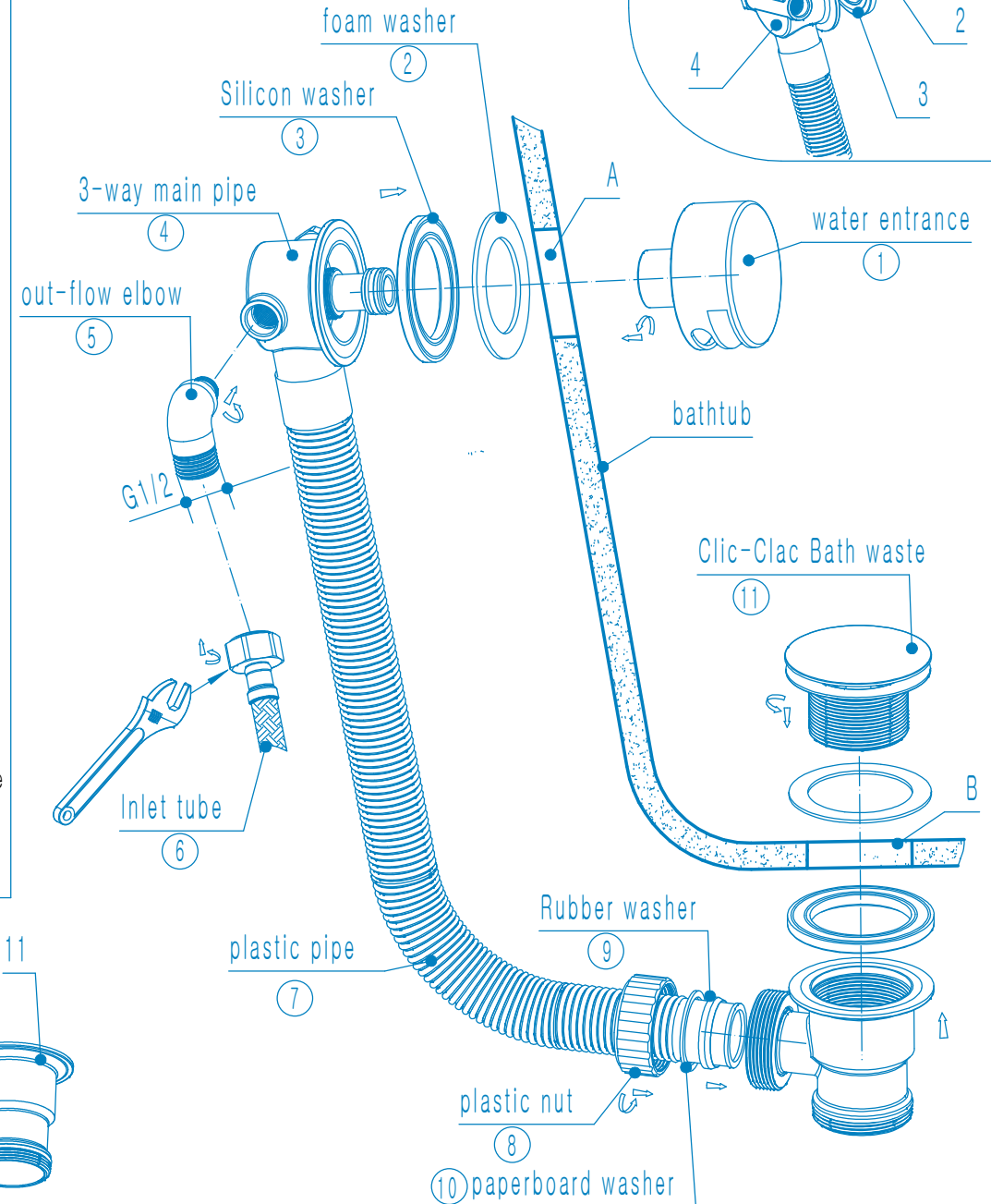
## II. Operation Notice

1. The product is used between water pressure 0.5 to 4bar, water temperature 0-90℃.
2. Regularly clean the tap with soft damp cloth.
3. Read all the instructions completely before proceeding.

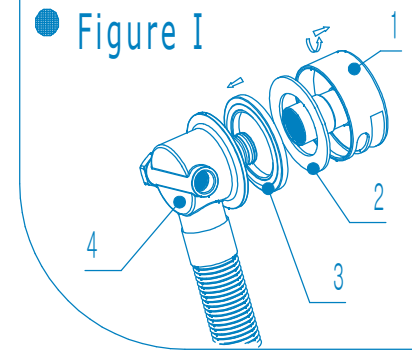
## III. Installing steps.

1. As demonstrated on figure I, parts 1,2,3, shall be released from the 3-way main pipe(4).
2. As demonstrated on figure II, parts 3, 2 to be connected onto main pipe(4) in order, then take through hole A of bath. Then tighten part 1 on the surface of the bath (take care when adjusting the direction of the out-flow).
3. Connect the top of part 5 onto 3-way pipe. The tail of part 5 connect with part 6 inlet tube.
4. Install part 11 Clic-clac Bath Waste onto bath outlet B.
5. As per figure III, tighten parts 8,9,10 onto plastic main pipe, then connect to part 11 clic-clac bath waste ( Take notice of pat No.7 plastic pipe should be inserted into hole C moer than 10mm, and at the same time make sure no.8 plastic nut is fully tightened).
6. Turn on water supply value and handle to check all the joints to make sure there is no leakage and the product can work normally.

● Figure II



● Figure I



● Figure III

