

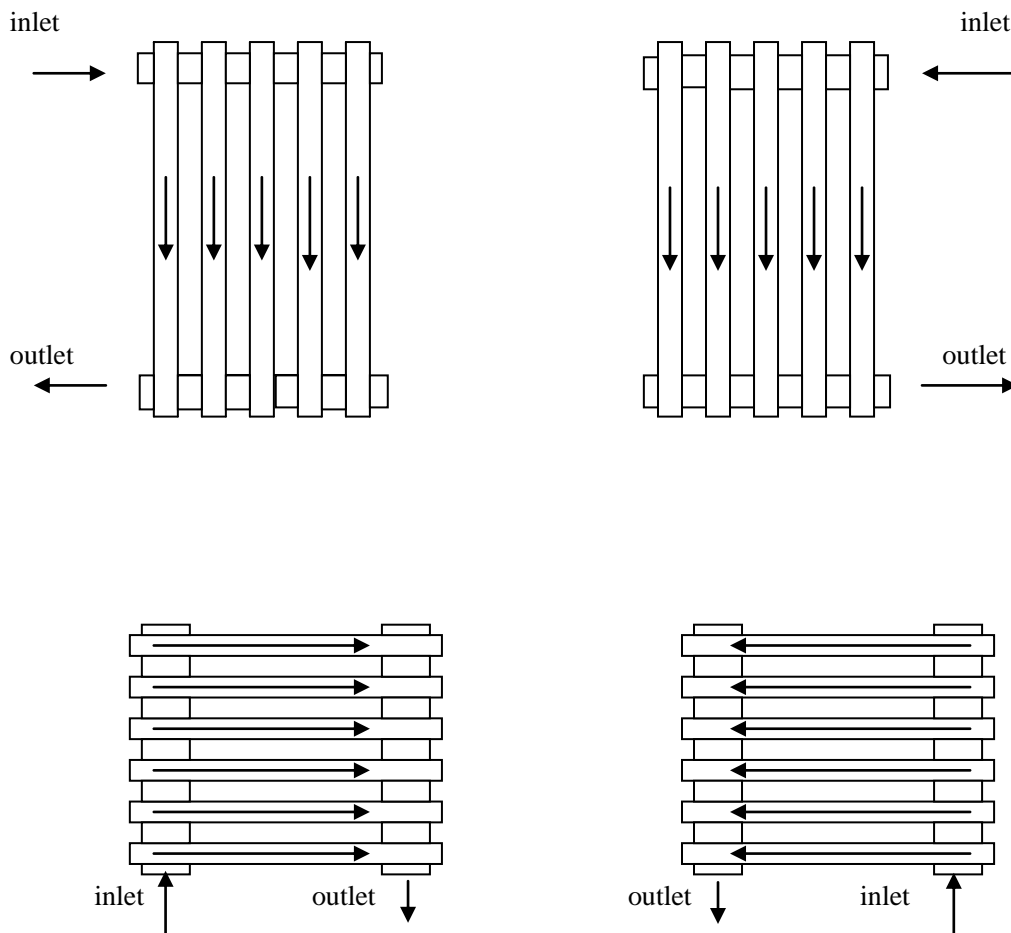
# Radiator Installation Instruction

## 1. Installation notes:

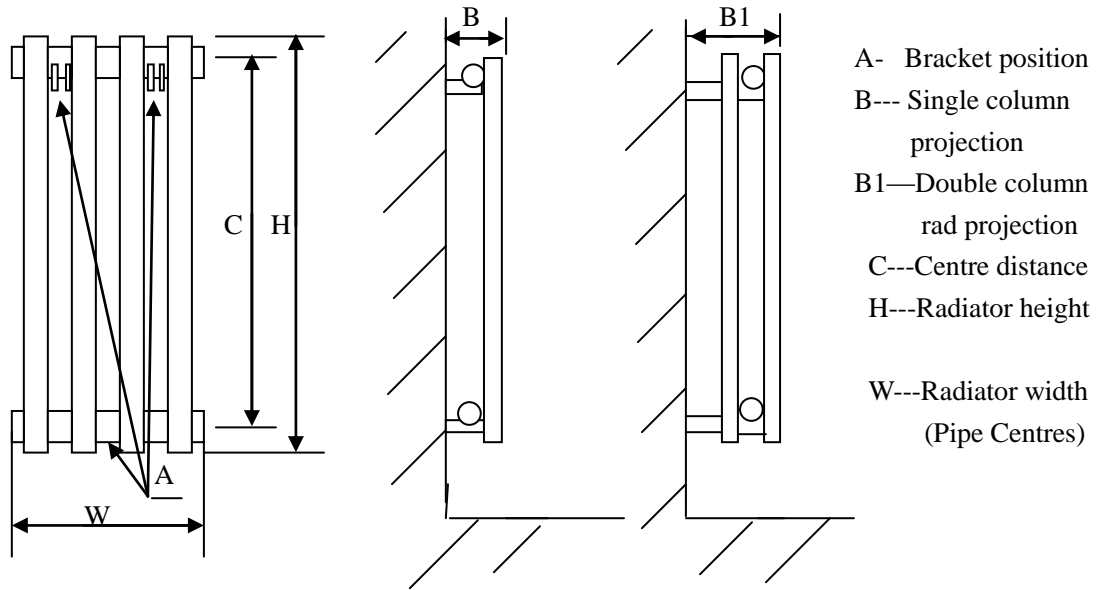
- A. Radiators should be installed in accordance with local water regulatory byelaws.
- B. The radiators must be installed on a closed loop system.
- C. If any part of the radiator is cold, please remove any air inside by opening the bleed screw.
- D. Please keep the radiator clean by using a soft damp cloth. No cleaning agents must be used.
- E. Installation must be completed by a qualified plumber.

## 2. Installation notes:

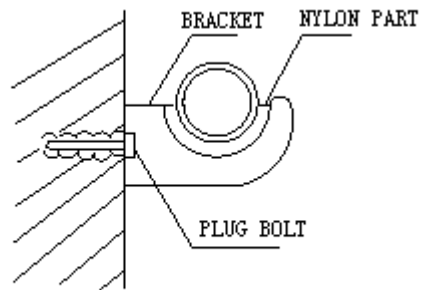
- A. The water flow through the radiator is outlined in the sketches below.



- 3. Radiator valves need to be installed on the inlet and the outlet of the radiator. Blanking plug and bleed screw need to be installed in the other threaded holes. Bleed screw to be at top of radiator.



4. Bracket installation.



A SECTION