

Side Panel for Over Bath Slider (Semi Frameless)

Installation / Maintenance Instructions

rev 02.12



Lakes

Bathrooms

IMPORTANT NOTES :

Please Read Carefully & retain these instructions for Future Reference.

1. For ease & safety we advise that two persons assemble this product.
2. Protect bathtub surfaces at all times.
3. Check for cables, pipes etc before drilling walls.
4. Ensure all surfaces are dry, clean & free of loose debris / dust.
5. Unpack goods with care (small parts can become lodged in packaging & inadvertently discarded). Check parts supplied against parts & fittings listed herein. Damaged parts / omissions may be resolved by calling Lakes Bathrooms Helpline.
6. Whilst precautions are taken in manufacture, care must be taken when handling as rail ends may have sharp edges.
7. Before commencing, check :
 - a) bathtub is level & completely sealed to finished / tiled walls.
 - b) finished walls are sound & free of cracks loose tiles / grout.
8. AFTER INSTALLATION, DO NOT 'WET' ENCLOSURE FOR 48 HOURS (ENSURE FULL CURE OF SILICONE SEALANT).

USE :

General Care & Maintenance.

Provided this product is installed & operated in accordance with these instructions, problems should not arise. However should maintenance be required it should be carried out by a competent person with reference to these instructions. Before any work is carried out the root cause of the problem must be identified. Lakes Bathrooms service engineers are available if necessary to consult / carry out remedial work. Call Lakes Bathrooms HELPLINE.

Cleaning.

(Every one to two weeks depending on local water {hardness} conditions).

All glass panels in this product have a hydrophobic coating aiding 'runoff' of water droplets, reducing the need for frequent cleaning. For best appearance / product life however, regular cleaning is recommended.

Use ONLY mild soap / detergent solutions to clean. Rinse with water, squeegee glass panels & wipe frames dry with a soft cloth. Under no circumstances should abrasive, caustic or scouring products be used. Cleaning products should have pH value 4 ~ 8. DO NOT use 'spray & leave' type cleaning products. Non compliance with these cleaning instructions may cause plated / painted finishes to deteriorate & could adversely affect safe operation of the enclosure.

Limescale ~ should a build up of limescale occur, remove using a 50:50 solution of white vinegar & water applied with a soft cloth & rinsed / dried thoroughly afterwards.

Daily Care.

To prevent the build up of limescale, do not allow water droplets to dry on glass or frames. After showering, rinse with water, remove droplets from glass with a squeegee & wipe frame with a soft cloth.

Customer Service.

Quality Guarantee : Lakes Bathrooms Ltd guarantee Shower Doors & Enclosures against any manufacturing or material defects for the lifetime of the product. We will resolve defects free of charge by repairing / replacing parts as we feel necessary. To be 'free of charge' service work must be carried out by Lakes Bathrooms or approved agents.

Not Covered by this Guarantee : Damage or defects that result from improper installation, improper use, or lack of maintenance (including limescale buildup). Damage or defects that result from repairs / modifications undertaken by unauthorized persons. This guarantee is in addition to statutory & other legal rights.

What to do if something goes wrong : Should the product not function correctly on initial use, firstly, contact the installer to check that unit installation & commissioning are in accordance with these instructions. Should this not resolve difficulties or should performance decline, consult 'Troubleshooting' section to see if simple home maintenance is needed. Alternatively our HELPLINE staff can assist, or if necessary arrange for a service engineer to visit.

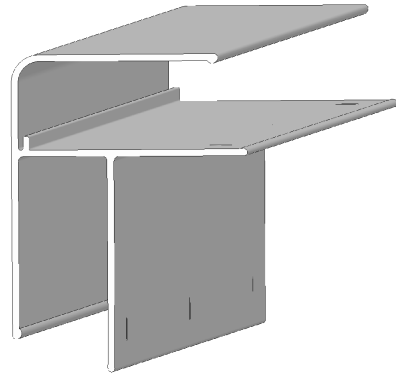
Spares : We maintain extensive spare part stocks. Spares can be ordered / purchased from your retailer in the first instance. Parts will normally be dispatched within two working days from order placement.

Pro Forma invoices will be sent for cheque payments.

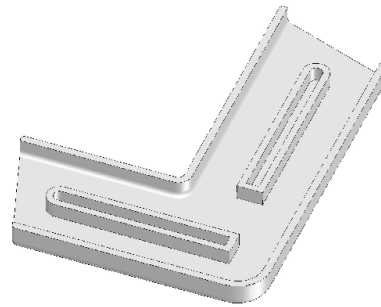
SUPPLIED PARTS :



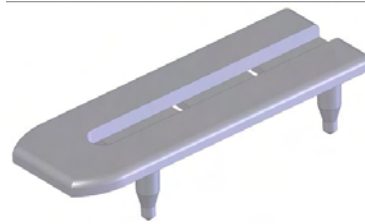
Side Panel Sub Assy 1x



Corner Post
1500mm Fig A



Top Cap (Corner Post)
Handed Pair Fig



Top Cap (Vertical Profile)
2x Fig



3,5 x 10 long Pan Head self tapping
screw (6x)



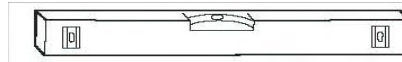
Cup Washer (6x) fig C



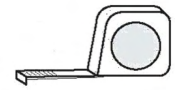
Decorative Screw Cover Cap (6x) fig C

Size ref	Adjustment Range (Dim'n A)
700mm	640 to 700mm
750mm	690 to 750mm
800mm	740 to 800mm

Tools Required



Spirit Level (with vertical 'bubble')



Tape Measure



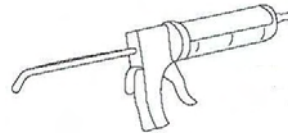
Power drill & 8mm masonry bit



Pencil



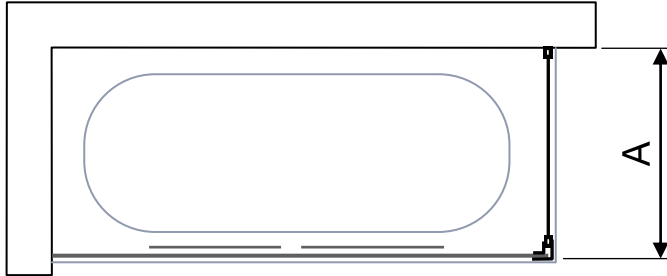
Pozi drive Screwdriver



Good quality silicone sealant & applicator



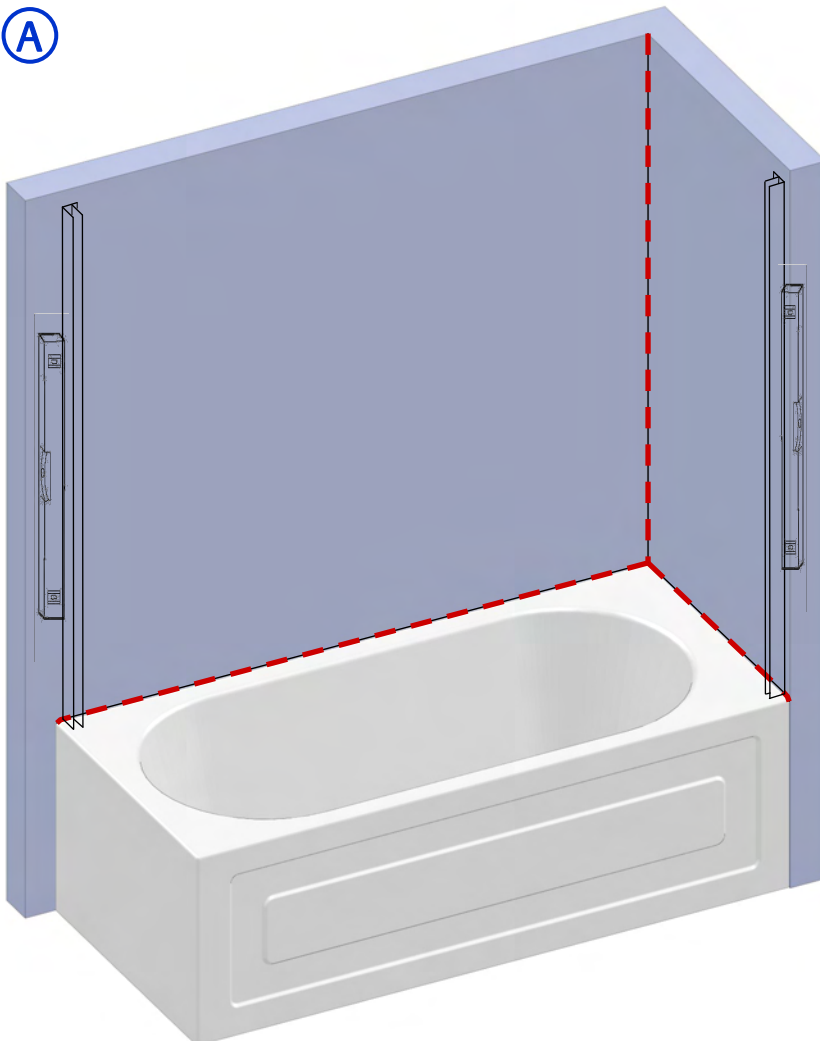
3mm HSS drill bit



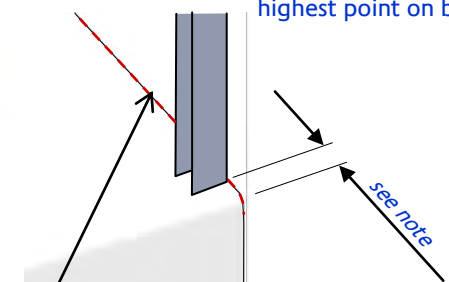
A

Lakes overbath Side Panel is fully reversible, so suitable for fitting to left or right end of overbath slider. Ensure bathtub is completely level & that tub / wall (tile) joints are sealed & cured over entire length of bathtub sides (See Fig A) prior to fitting enclosure. **DO NOT SEAL TRAY EDGES UPTO A FITTED ENCLOSURE !**

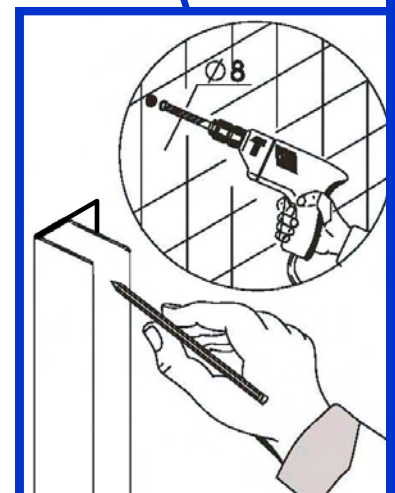
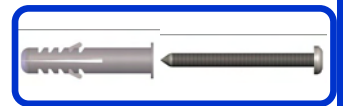
A



Note : baths vary greatly, for best results, wall profiles should be aligned with highest point on bath rim.



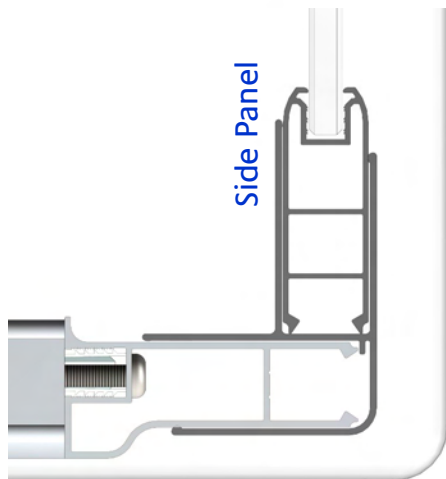
Ensure continuous silicone sealant bead before fitting wall rails



Wall profile orientation : Wall flange to shower side. Measure & mark wall rail positions. Drill, plug & affix both wall profiles.

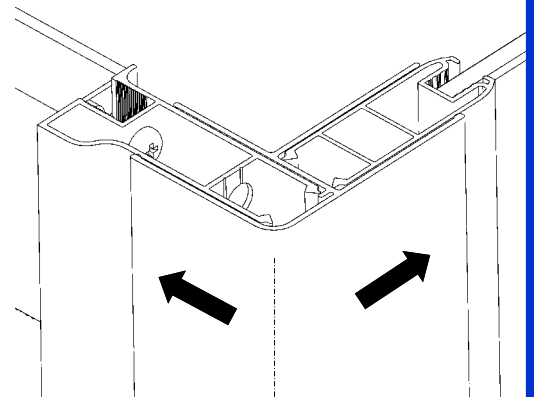
Refer to 'Double Door Overbath Slider' installation instructions for assembling shower door. Door frame should be assembled loosely in its wall profile as shown. DO NOT drill & screw until final unit position has been determined (refer to fig C).

(B)



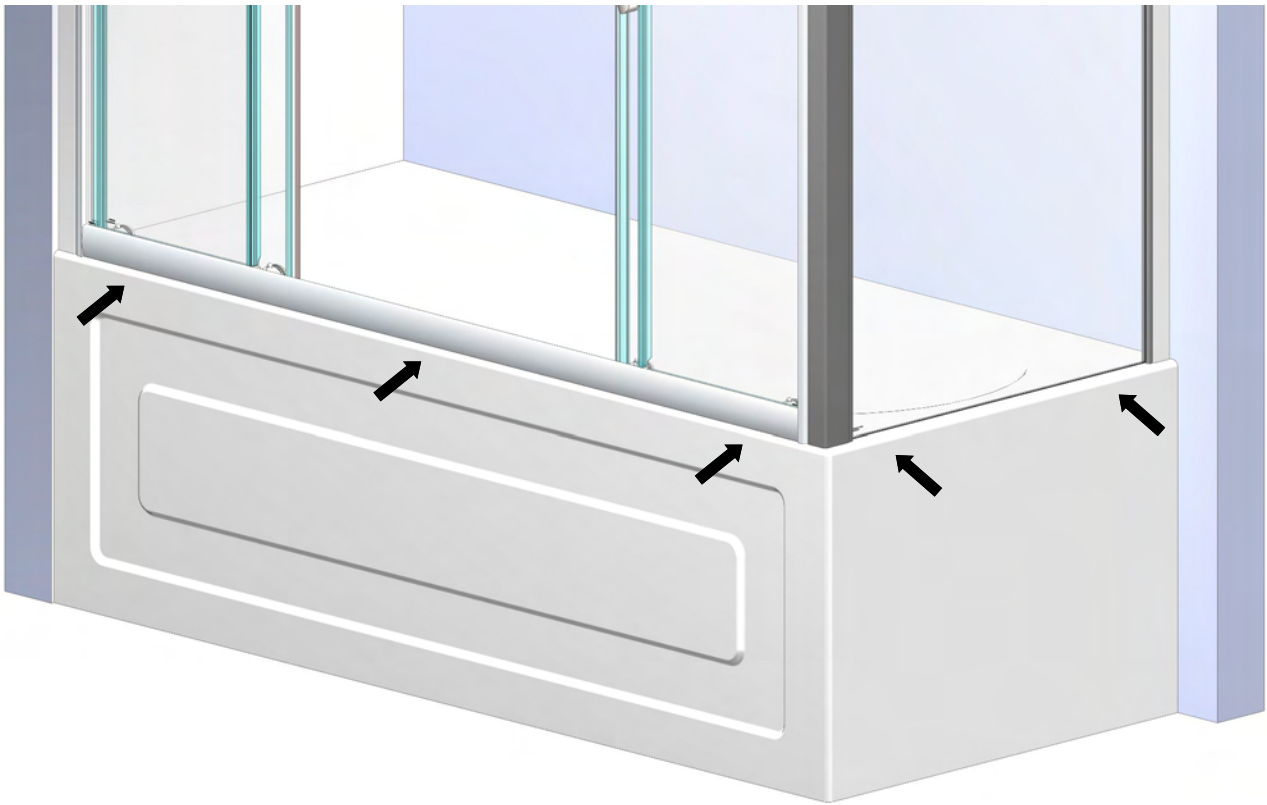
To ensure correct sizing, fit corner post such that side panel sits behind shower door as indicated.

Door & Panel may moved as shown to assist assembly.

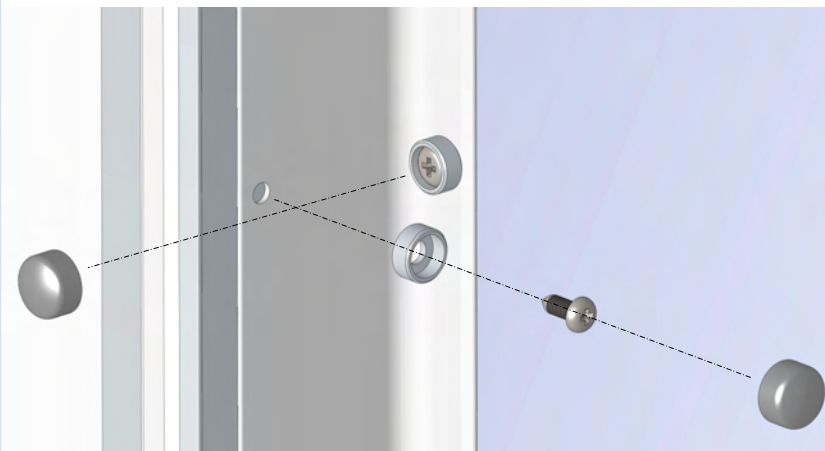


Shower Door

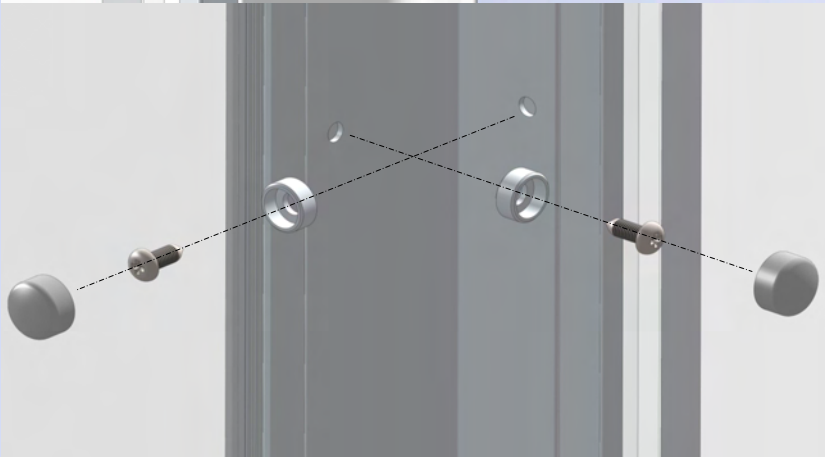
MAIN FRAME SETUP :



Fit door assemblies (refer to separate instructions).
Adjust shower door & side panel until desired position (sides parallel to tray edges) is achieved & enclosure is 'plumb'. Ensure shower door functions correctly.



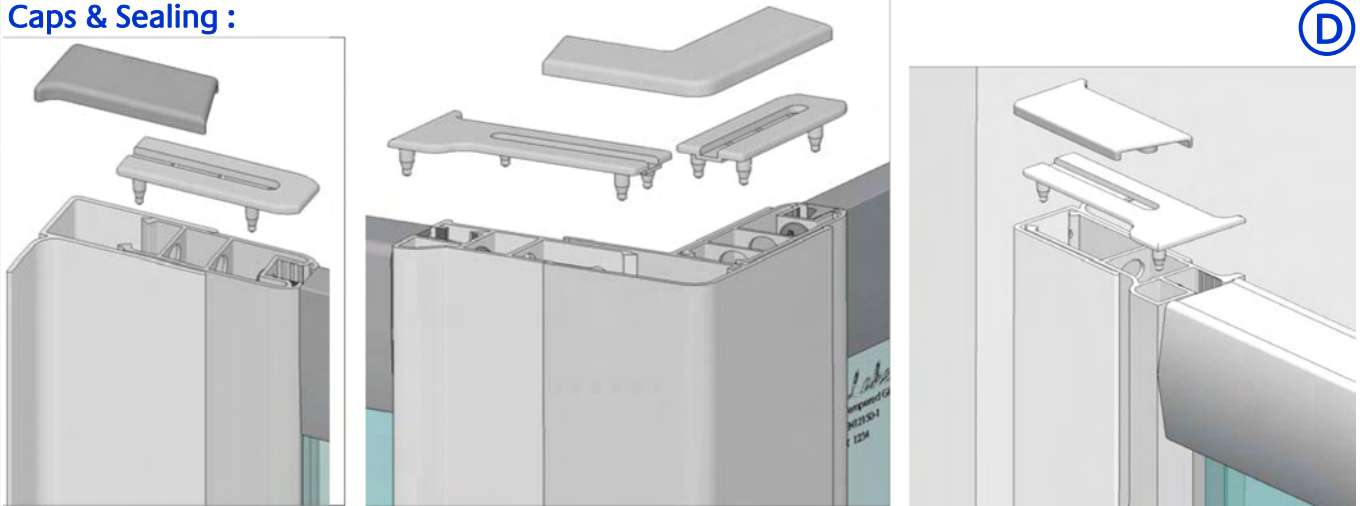
Wall view



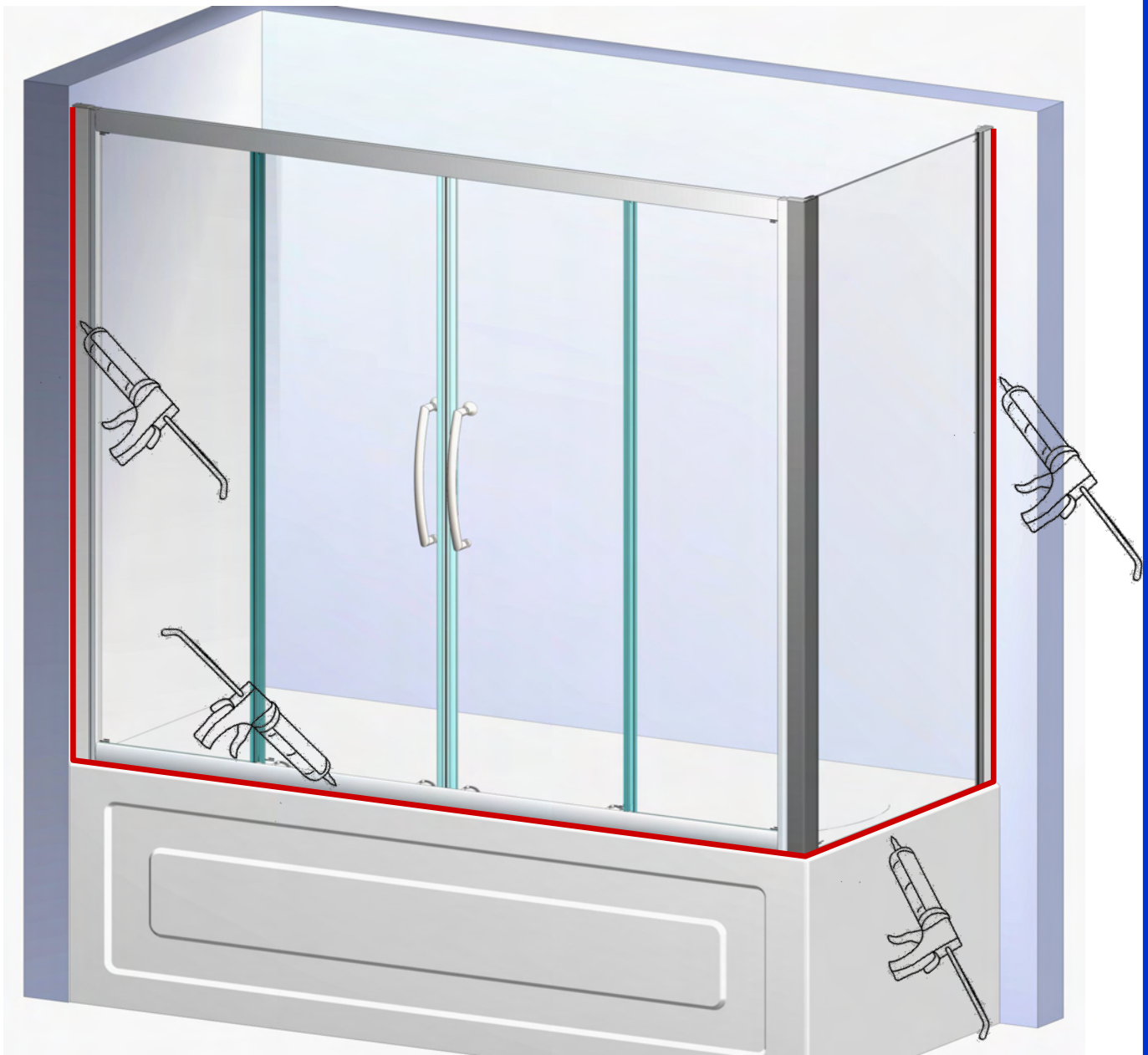
Corner view

From inside enclosure, using wall rails & corner post holes as a guide, drill (dia 3mm) & screw enclosure together using 3.5 x 10 long pan head screws & washers (12 places total), then fit decorative screw cover caps to all washers (including wall screws).

Caps & Sealing :



Fit top caps to all vertical & wall profiles.



Use of good quality silicone sealant & cleaning / degreasing of all joint areas is recommended.

Apply continuous silicone sealant bead as indicated EXTERNALLY ONLY

BASIC TROUBLESHOOTING :

Refer to 'Double door over bath slider' installation instructions for troubleshooting information.

Leakage :

The sealing method described in these instructions relies on a continuous seal being applied between shower walls & tray before installing the enclosure (see fig A), it ensures a watertight seal around the perimeter of the enclosure to the shower walls & tray.

In the unlikely event of an enclosure leak, water will be visible on the outside of the enclosure itself, or around the perimeter silicone seal ONLY. Water / moisture appearing outside this area (ie at floor level) is normally due to incorrect tray installation.

Lakes

Bathrooms

Lakes Bathrooms Ltd

Alexandra Way
Ashchurch
Tewkesbury
Gloucestershire GL20 8NB

Service England, Scotland, Wales

8.30am—5pm Mon ~ Thurs

8.30am—4.30pm Fri

Tel / HELPLINE : 01684 853870

Fax : 01684 857411

www.lakesbathrooms.co.uk

Email : admin@lakesbathrooms.co.uk

Service : Northern Ireland

Ian A Kernohan

Firtrees

Green Way Industrial Estate

Conlig

Northern Ireland

BT23 7SU

8.30am—5pm Mon ~ Thurs

8.30am—4.30pm Fri

Tel : 02891 270233

Fax : 02891 270597

Email : info@iakonline.co