

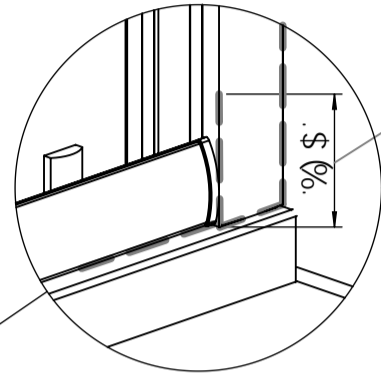
- (E-kV) 00 00# \ V- o- Ou= - † 00hk \ 7@o
 † = -k- u= -' U -- u'u= - † (00 V) u= - " \ u\ U
 hk \ 7@ " V) 80 oo00 - h' V- O† = -k- @U -- uou= - 'uk' '
 "00@ " # \ Vu@y \ yo" - *)

" 00 \ 00# \ V- ' = 00 = " o'o= \ † V@) - u' @)
 † @ † o" - O †

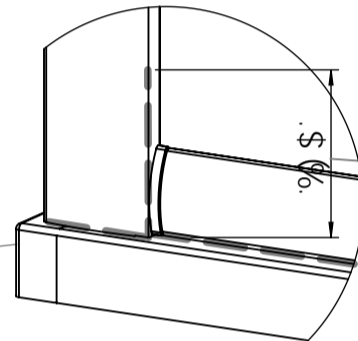
) \ V \ u' 00# \ V- @o0 - u= - ' - V # O oyk -

" 00 † u= - 00# \ V- " uO " au' = \ ykou \ 7y00 #yk -

HFCI 6@G < CCHB; ; I -89! G99 9B7 @G F9 -BGFI 7HC B

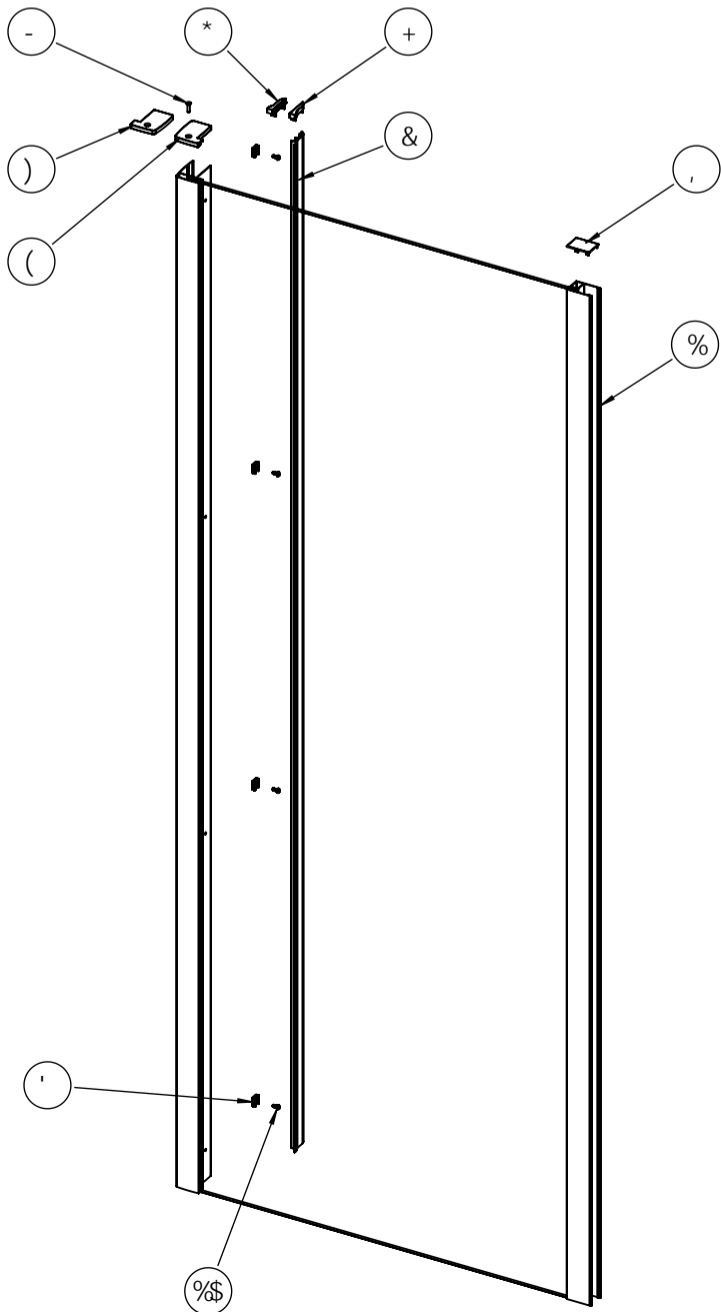


K < 9F9Hk9: F5A 9
 J 9FH7 5@DFC: 00
 A 99HGk9K 5@
 DFC: 00



K < 9F9Hk9: F5A 9
 J 9FH7 5@DFC: 00
 A 99HGk97 CFB9F
 DC GH

00 - h' V- O7@u@8 @ouky #u@V



yVh' #Mu= - " \ (E V) - Voyk- " 00# \ U h \ V- Vu0 k- hk- o- Vu

V \ k- 7yV) o \ k k- 7@u@8 # \ au † @ - 8@ - V @ @ # \ U h O-
 \ k) " U " 8-) 8 \ \) o" k- 7@u-

u= - u \ y 8 = - V-) o' 7- u' 80 oo'o= \ y Q " - ' = V) O) † @ = # " k-
 " o' @ h' # uo † @) " U " 8- u= - 80 oo \ k' - V # O oyk -

7@u= - o= \ † - k' uk' " " oh- k' u= - U " Vy 7' # uyk- ko @ ouky # u @ V o

V \ u- ' @ u= - uk' ' ' @V uky - " V) O † - O @ U y o" - k- # u @) " - \ k-
 o0# \ V @ 8 " k \ y V) u= - u \ h-) 8- \ 7 u= - uk' ' † = -k- @ U -- uo
 u= - u @ o " 00 † u= - o0# \ V- u \) k' " - \ k- 7@u@8 u= -
 - V # O oyk -

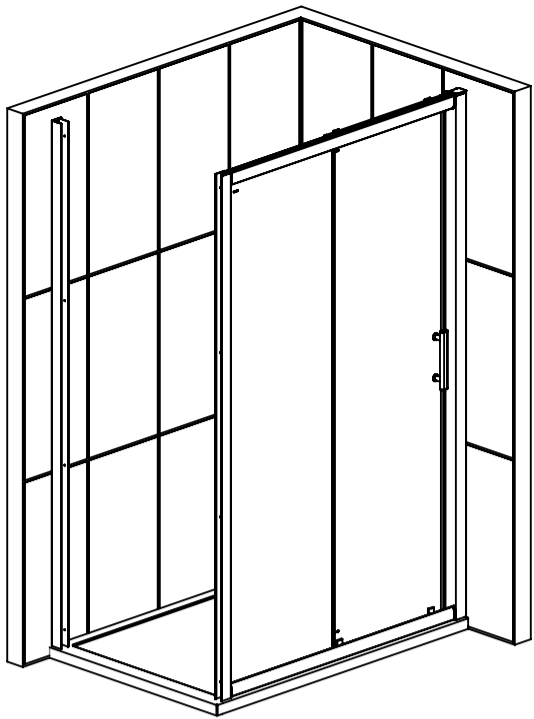
u= - ' - V # O oyk - @ ou' 00 u @ V @ k- # \ U U - V-) " " o' u † \ U " V
 \ h- k' u @ V

u \ \ O k- j y @ -)

h \ † - k) k @ " ") k @ " @ " " U " o \ V " k') k @ " @
 # k \ oo = - ") o # k- †) k @ - k " " u' h- U - " oyk - " h- V # @
 o0# \ V- 8yV † @ = o' V @ k' 8k') - o' O Vu " " ch @ @ O † - O
 ky " " - k' = - ") U " 00 u

ITEM	DESCRIPTION	Notes	QTY
1	SIDE PANEL SUB ASSEMBLY		1
2	SCREW COVER PROFILE	OPTIONAL ON SOME MODELS	1
3	SCREW COVER PROFILE FIXING CLIPS	OPTIONAL ON SOME MODELS	4
4	CORNER POST TOP CAP LH		1
5	CORNER POST TOP CAP RH		1
6	SCREW COVER PROFILE CAP LH	OPTIONAL ON SOME MODELS	1
7	SCREW COVER PROFILE CAP RH	OPTIONAL ON SOME MODELS	1
8	RECTANGULAR CAP		1
9	M4 X 10 SOC HEAD C/SK SCREW		1
10	SCREW DIA 3.9mm x 10mm PAN HEAD	SMALL HEAD FOR USE WITH ITEMS 11 & 12.	4
11	SCREW CUP (NOT SHOWN)	ONLY USED WHEN NO ITEM 2 & 3	4
12	SCREW CHROME CAP (NOT SHOWN)	ONLY USED WHEN NO ITEM 2 & 3	4

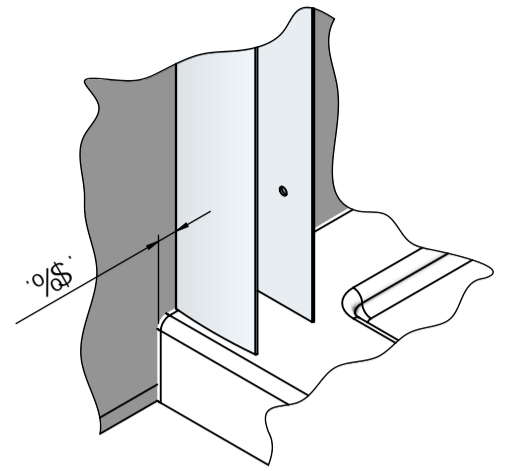
%



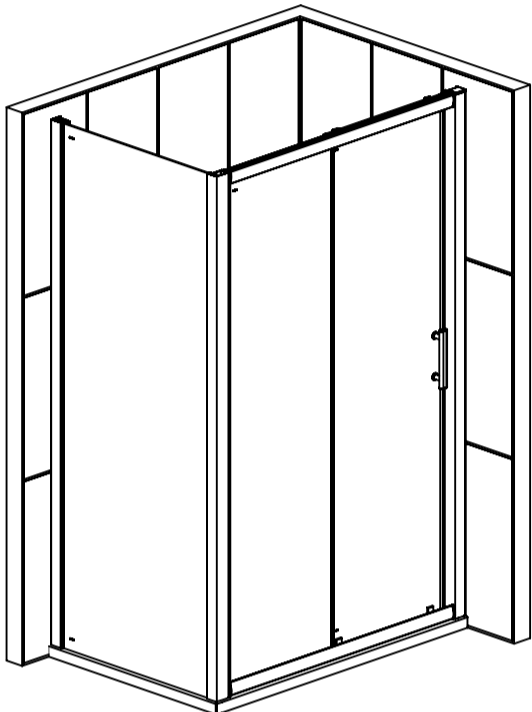
u=-'o@-h'V-O@'V'') @@V' O@-U u=-'V#O.oyk-')\k

7\O\k' u=-'7@ou'au-ho\7u=-'V#O.oyk-')\k'7@u@8
@ouky#u@V'yhu\ u=-'au-h'k'=-k-'y#'\o-'-u'--V' G\k' t-
'\k'o@-h'V-O7@

V\k' 7@'V) o-#yk- u=-k-U' @@8' 'O@hk\7@ u\ u=-' '#M# 'O
@o=\yQ "'-h'k\O@' u-O' @'7k\U u=-'uk'-'-) 8- o--'VO k8-)
t@t' \hh\o@- @o=\yQ 'O\ "'-O t-O'V) uky- yo-' ch@O t-O
yo-k' t' O@y8o'V) o#k-t' o@k\k' t-) t' @=-V#O.oyk-')\k' u\ o-#yk-



&



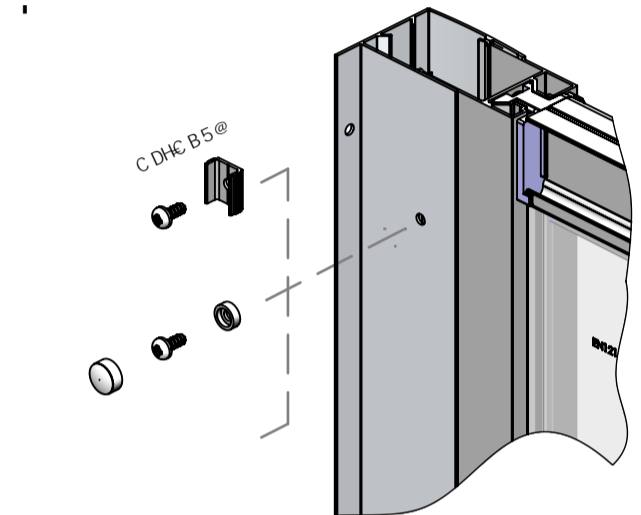
o@-u=-'o@-h'V-O@'u\ u=-k-'k' t' 'O@hk\7@ u=-V'@) -
u=-'#\kV-k'h\au\Vu\ u=-'V#O.oyk-')\k

#-Vuk' O@-u=-'V#O.oyk-')\k' o\ '@=' o'u=-' o'U-' U\yVu\7
7k' U- @' u=-' o@- t' 'O@hk\7@' V) #\kV-k'h\au

V\k' ') kyau=-' o@-h'V-O@' u=-k-'k' t' 'O@hk\7@ yVu@u=-k-'@
'V-t-V'8' h" O" k\yV) u=-'V#O.oyk-' V) uk' '7' #-

@@t-k' @h\ku' Vu'u' u=-' o@-h'V-O' V) '-V#O.oyk-' k-'uky-
'V) 'q' y' k-' \V' O7' #-o" -7k-7@8' u=-' yV@o' hO' #-

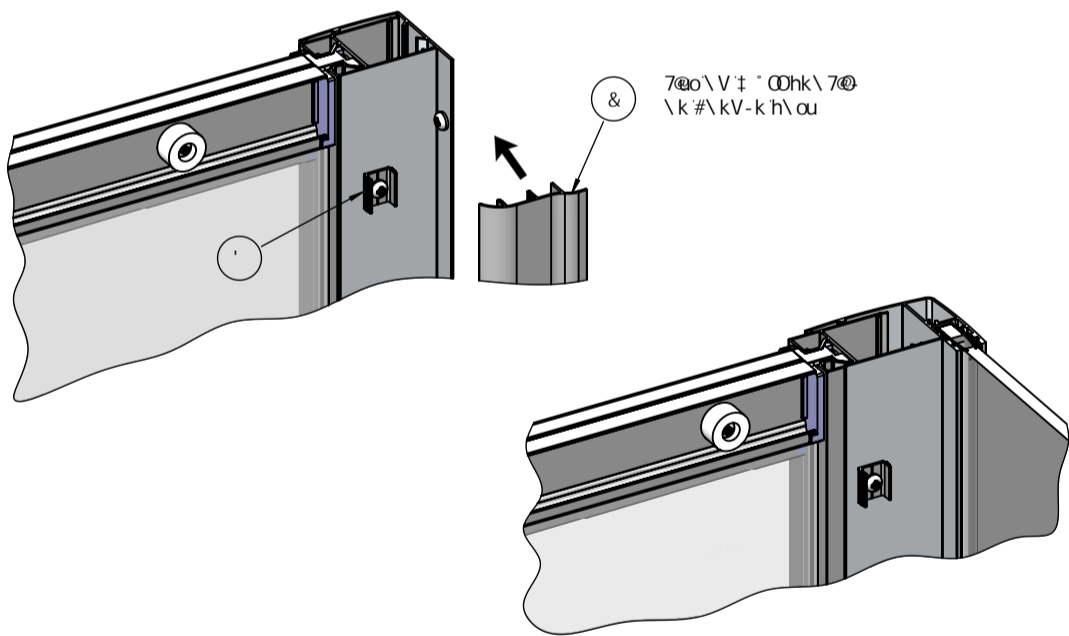
u=-')\k' U' yau' O\ \h-k' u-7k--O' V) kyV' oJ\ \u=-



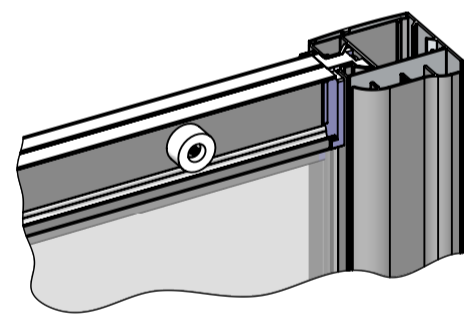
t'=-V u=-'V#O.oyk- @k-')' u\ "'-7@)) k@O=k\y8=u--'\O o
@' u=-' t' 'O@hk\7@' V) #\kV-k'h\au' t' @=" ') k@O
U' M' oyk-' \y\VO) k@O=k\y8=\V- t' 'O@u=@W-oo
u=-V7@u=-'7k' U- t' @=@-U o

@' \y=' t- u=-' \hu@V' Oo#k-t' #\t-k'hk\7@ o' @-U'
) \V\yuo- @-U o' ' 7@ @-U' yV) -k' u=-' o#k-t' o

(

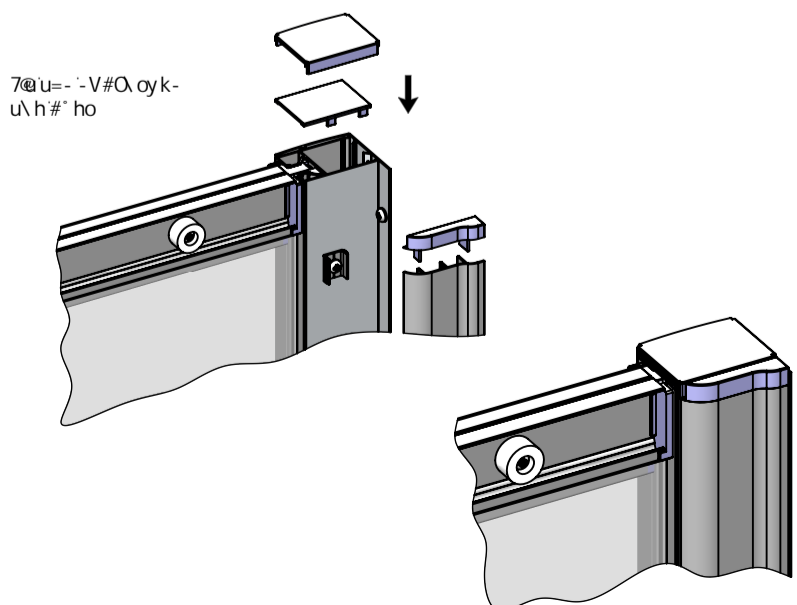


7@o\V t' 'O@hk\7@
'\k' #\kV-k'h\au



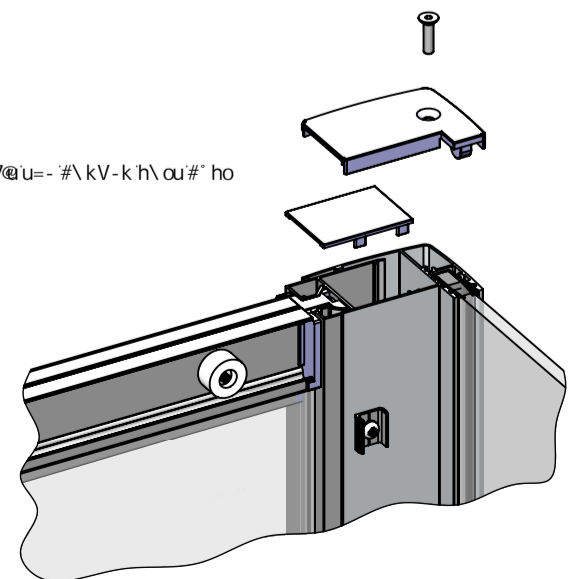
@' u=-'V#O.oyk- '\k'o@-h'V-O=' o'u=-' \hu@V' Oo#k-t' #\t-k
hk\7@ o' @-U' ' hyo=7@u=-U' \Vu\ u=-' o#k-t' #\t-k'hk\7@
7@8' #Oho' @-U'

)



7@u=-'V#O.oyk-
u\h' #' ho

*



7@u=-'#\kV-k'h\au' #' ho