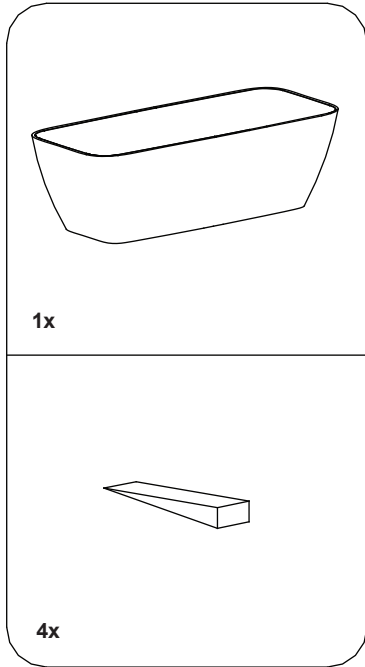


Parts supplied:



Important

- Please unwrap the bath and check it carefully to ensure it has not been damaged in handling or transport.
 - Please check that all parts have been supplied.
 - Assemble bath on a mat to protect against damage to bath surface.
 - Please do not remove the old fixture before you unpack and inspect the new unit.
 - Store the bath in a safe place until you begin installation to avoid damage.
 - Any installation should be carried out by a qualified tradesman with knowledge of statutory plumbing requirements in your area.
 - This product requires a two person lift – use proper lifting techniques.
 - This installation guide does not include details of waste connection; final decision about installation of waste connection should be taken by a suitably qualified person.
- ⚠ Do NOT overtighten the waste as this may cause long term damage to the bath. We recommend to use a torque wrench to tighten the waste by using a torque force between 25 Nm and 50Nm.**

Care and Maintenance

Repairing a scratch: If any scratches occur during installation these can be removed by rubbing with a 1500+ grit waterproof abrasive paper and water.

Re-polish the surface afterwards using a neutral automotive colour restorer or household metal polish. For best results limit sanding to the smallest possible area around the scratch.

It may be possible to polish very fine scratches away without using abrasive papers: scrubbing gently with a soft brush or plastic pad (not metal scouring pad) and a mildly abrasive cream cleaner. Afterwards scrub the whole area with plenty of clean water and re-polish as before.

Everyday cleaning

We recommend a non-abrasive bathroom cleaner.

Warning

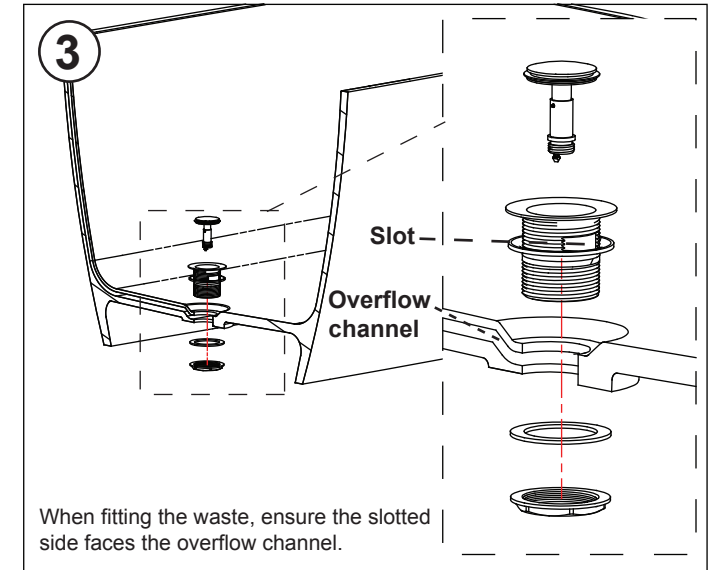
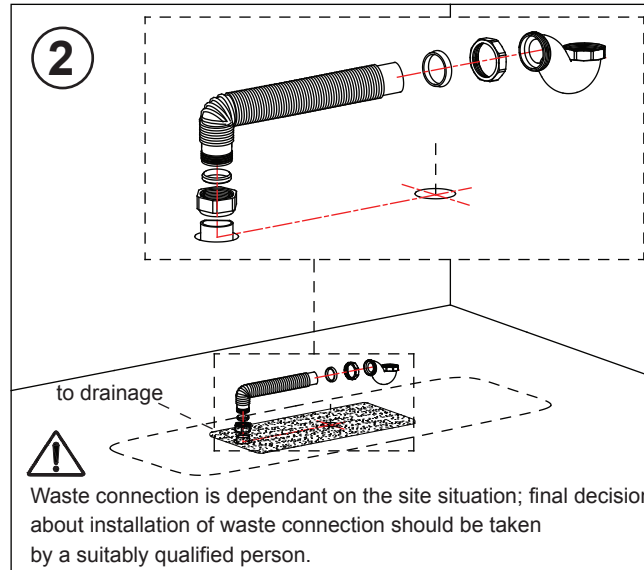
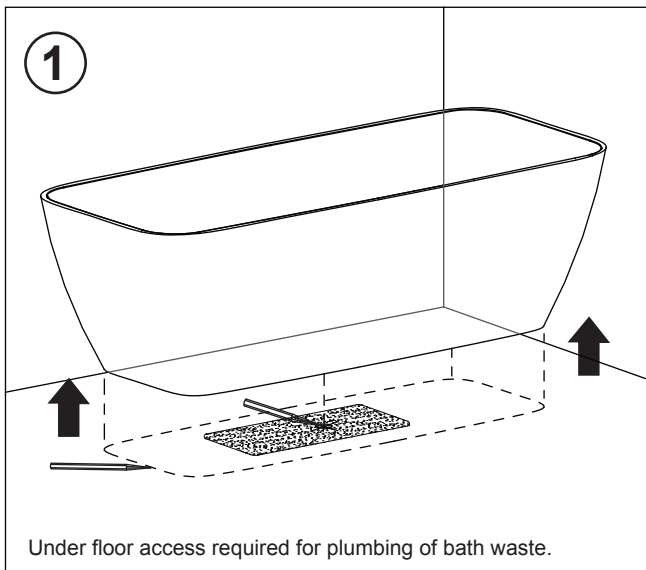
Never use cleaners / bleach products specifically manufactured for WC bowl cleaning as they may damage your bath. In addition to these we strongly recommend that applying hair colouring is also not used over the bath as it may de-colour the bath.

Please place your product identification number here and keep this paperwork in a safe place as you will need this if a problem occurs with your product.

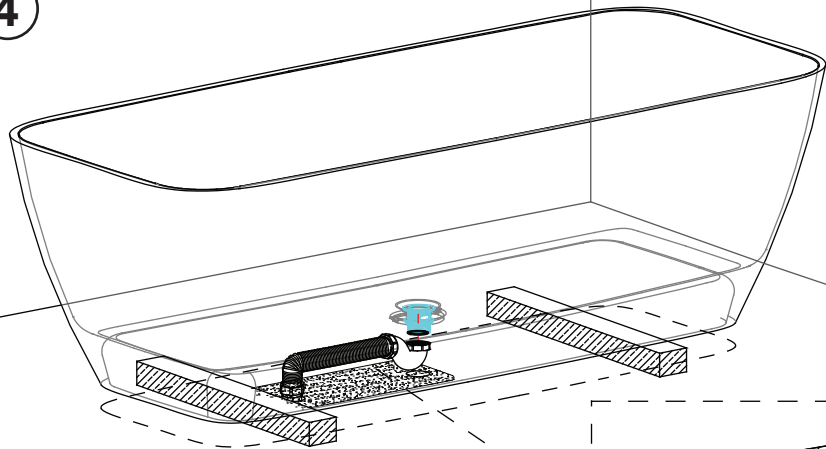
Manufacturers
Identification Number

XXXXXXXXXXXX

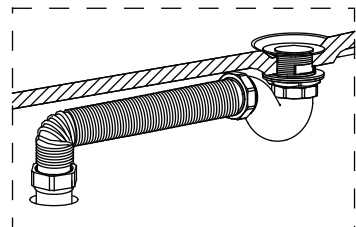
In the event of after sales requirements please quote this number.



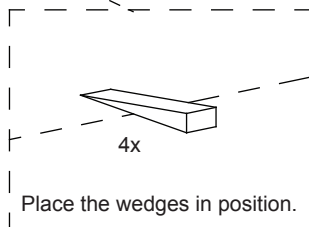
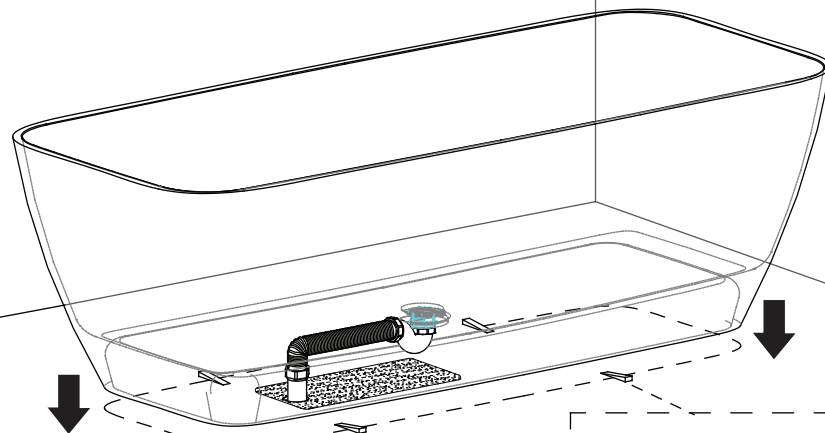
4



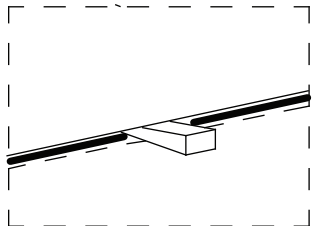
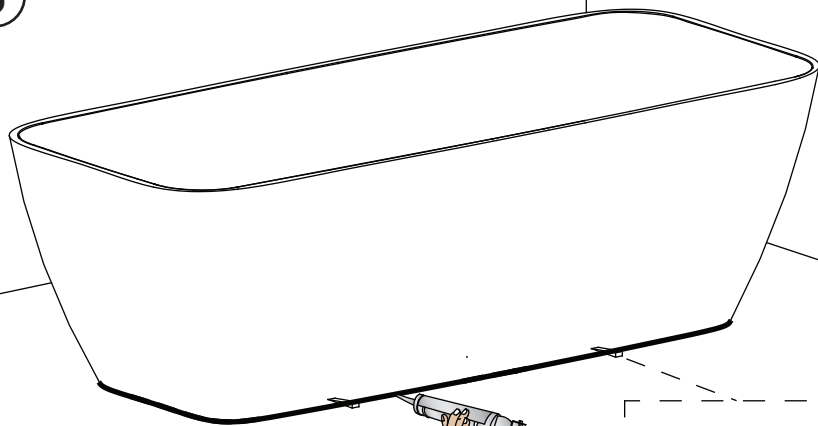
Place the bath on two wooden blocks over the waste connections. Connect the waste. Fill the bath with water and check for leakage.



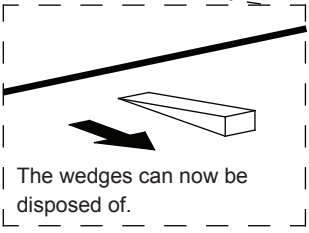
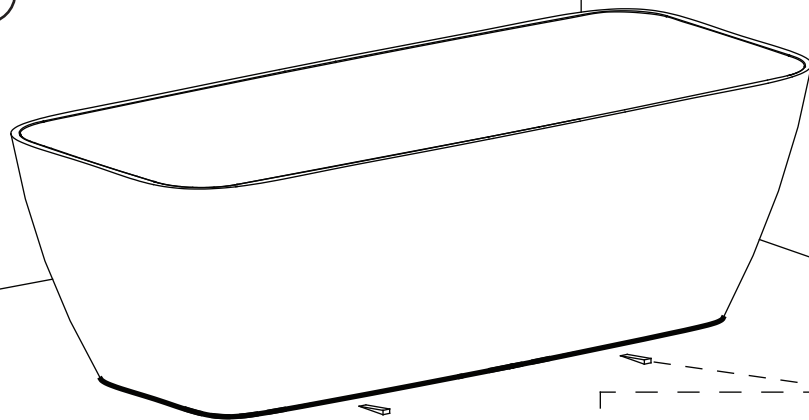
5



6



7



The wedges can now be disposed of.

