

# TECHNICAL DATASHEET

## BTW PAN & SEAT



**Barcode** 5055369035748

**Product Code** NCH400

**Finishes** WHITE

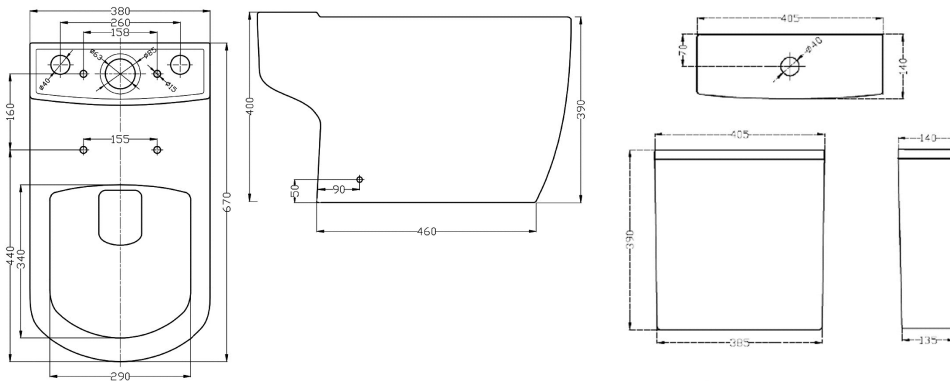
**Product Type** CERAMIC

### Guarantee & Aftercare

During installation extra care must be taken to avoid damaging the fittings. We provide a 5 year guarantee against faulty workmanship or materials (excluding serviceable parts), providing they have been installed, cared for and used in accordance with our instructions.

**ADDITIONAL INFORMATION—The cistern & fittings comply with the following standards. (Image shows cistern and pan).**

- BS 3402: 1969: Specification for quality of vitreous china sanitary appliances
- BS EN 33 WC pans with close coupled cistern, connecting dimensions
- BS EN 997 WC pans with integral trap.
- Water supply regulations 1999



**CUSTOMER CARE:** For further information please call 01282 446789