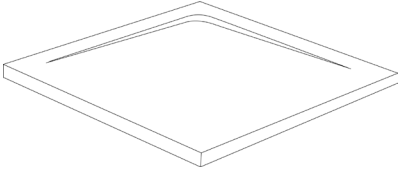
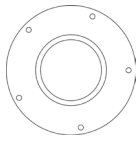
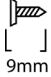


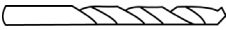
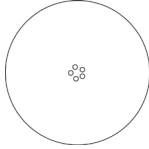



Optimum

Installation Instructions

Parts Supplied

Ref	Description	Illustration* (Shape of tray may vary from illustration)	Qty
A	Shower Tray		1
B	Flange Plate		1
C	Screws		5
D	Bottle Trap		1
E	Extendable Flexi Waste Pipe		1
F	Drill Bit		1
G	Large Dome		1
H	Replacement Lower Seal		1

Before You Start:

- Please note that although these instructions are comprehensive we always recommend that a technically competent installer undertakes the installation.
- For raised installation, please use the Universal Panel and Easy Plumb kit.
- **Caution:** Care must be taken when drilling into walls or floors to avoid hidden pipes or electrical cables.
- **When handling your shower tray take care not to damage the bottom edges and when installing take particular care to protect the visible surfaces from impact damage or abrasions.**
- Check that the shower tray is the colour, size, shape and type you require.
- Unpack and check the quality and for any damage. Do not install if not satisfied and contact your local supplier.
- Check that the top surface of the shower tray is compatible with your intended shower enclosure, taking into account the loss of dimension that will result after tiles etc have been fitted.
- If you install this shower tray in conjunction with a steam unit, you must ensure the steam outlet is at a minimum of 350mm from the top of the tray.
- When considering your installation method, you should be able to attach or repair your waste or waste outlet in situ.

Floor Level Installation for Concrete or Other Solid Floors

Tools and Materials Required (not supplied)

- Flexi Waste Pipe
- Installation Compound Adhesive or a Suitable Contact Adhesive
- Cross-Head Screw Driver
- Drill
- Pencil
- Spirit Level
- Trowel
- Masking Tape
- Plumbing pipe and fittings as necessary
- Silicone sealant
- Flexi Seal Strip

1. Place the shower tray (A) in position on the floor (ensuring surface is level) and mark the perimeter and waste hole on the floor (See Fig 1).
2. Form a trench in the floor to hold the Flexi Pipe (E) and the Hi-Flow waste (D).
3. Install the waste pipe, bottle trap (D) and flexi pipe (E) in the trench in accordance with building regulations, then blank off the trench so it remains clear after laying an adhesive bed on the area to support and stick down the shower tray (A), (See Fig 2).

Note! Some shower trays have a protective film (indicated by a label on the surface) which must now be removed. Undertake a final inspection of the shower tray at this stage. **DO NOT PROCEED IF NOT SATISFIED.**

4. If fitting the optional Flexi Seal Strip (not supplied) follow the instructions on page 6 and attach the strip to the shower tray.
5. Before proceeding dry fit all items in situ to ensure compatibility.

Note! It is normal for the tray to appear elastic when undertaking a test dry fit.

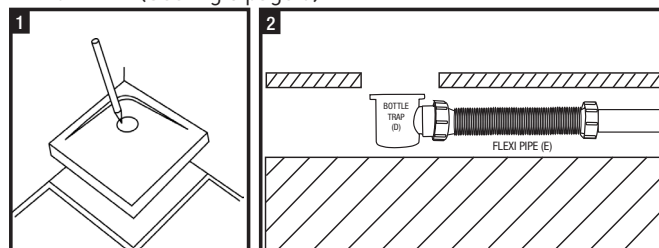
6. Use installation compound adhesive or a suitable adhesive to cover the full area under the shower tray. Apply or trowel to a thickness suitable to allow full adhesive support of the shower tray (See Fig 3 page 3).

Note! Always follow the instructions supplied with an adhesive and do not glue the bottle trap (D) or flexi pipe (E) in position.

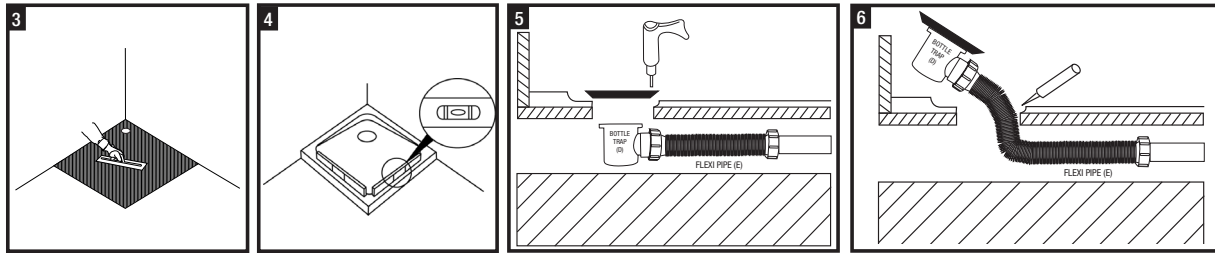
7. Place the shower tray (A) onto the wet adhesive ensuring that it is fully supported. Check the level of the top rims only as the shower tray has a built in fall for adequate drainage (See Fig 4 page 3).

Note! Ensure tray is fully stuck down, weight down if necessary, to ensure level and good contact.

8. Remove any excess and allow adhesive to set. Place the flange plate (B) in position on shower tray (A) and then using the 2mm drill bit (F) drill a hole in the shower tray (A) through the centre of one of the five pre-drilled holes in the flange plate (B). Screw the flange plate (B) using one of the five screws (C) to the shower tray (A) **DO NOT OVERTIGHTEN.** (See Fig 5 page 3).



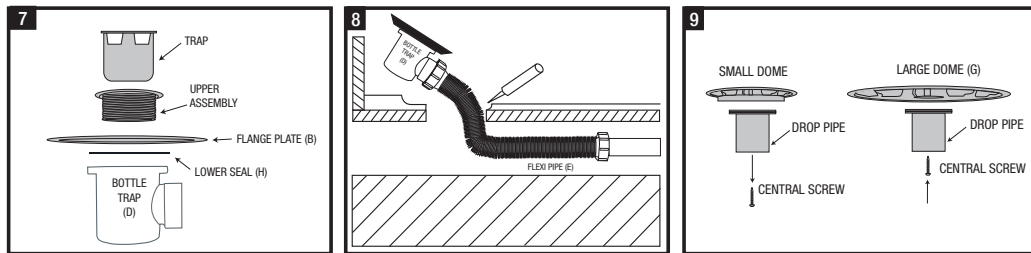
9. With the flange plate (B) securely in position proceed to drill a hole through the remaining pre drilled holes in the flange plate (B) into the shower tray (A) (See Fig 5 page 3). Then unscrew and remove the flange plate (B) from the shower tray (A).



10. Extend the flexi pipe (E) with bottle trap (D) attached by pulling through the hole in the shower tray (A) (See Fig 6) then assemble (without dome) onto flange plate (B) (See Fig 7), using replacement lower seal (H) only making sure that the flange plate (B) is aligned with the pre-drilled screw holes around the periphery of the outlet hole.

Note! It is important to discard the lower seal supplied with bottle trap (D) when assembling on to flange plate (B) and use only replacement seal (H) as supplied with tray.

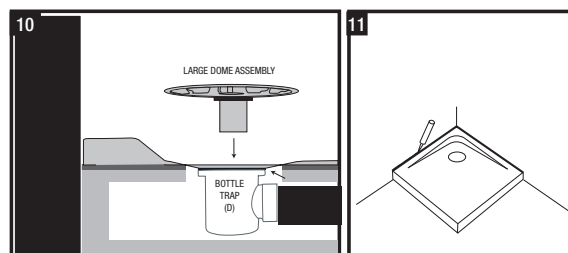
A silicone sealant should be used on all surfaces against the flange plate (B).



11. Apply silicone over the entire area between the edge of the outlet hole in the shower tray (A) and the underside of the flange plate (B) (See Fig 8). Push the assembly back through the hole taking care not to kink or sag the flexi waste pipe (E) and attach flange plate (B) to the shower tray (A) using the five screws (C) **DO NOT OVERTIGHTEN**. Remove any excess silicone.
12. Remove drop pipe from original small dome on bottle tap (D) by unscrewing the central screw in the base of the dome. Re-attach drop pipe to large dome (G) supplied with the tray by using the same central screw in the base (See Fig 9). Then push fit large dome assembly into bottle trap (D) (See Fig 10).

Note! The shower tray and all connections must now be checked for water tightness, flow and adequate drainage over the entire area. **DO NOT PROCEED IF NOT SATISFIED.**

13. After all checks and adjustments seal along the tiling line with silicone sealant if necessary use a proprietary silicone cleaning solvent prior to application (See Fig 11).



Floor Installation for Suspended Floors

Tools and Materials Required (not supplied)

- Installation Compound Adhesive or a Suitable Contact Adhesive
- Cross-Head Screw Driver
- Drill
- Drill bit to suit floor screws
- Hole Cutter, size to suit the waste
- Jigsaw
- Pencil
- Spirit Level
- Trowel
- Floor screws, suitable to fix plywood board to floor
- Plywood board (18mm thick minimum)
- Masking Tape
- Plumbing pipe and fittings as necessary
- Silicone sealant and Silicone cleaning solvent
- Flexi Seal Strip

1. Place the shower tray (A) in position on the floor and mark the perimeter.
2. The floor area (or larger) covered by the shower tray must be removed and replaced with a single (level) piece of plywood (min 18mm thick).
3. Put the plywood in position, place the shower tray (A) on the plywood and mark the waste hole location (See Fig 12).
4. Remove the shower tray (A), and drill or cut a hole in the plywood 20mm larger than the total size of the hole in the shower tray (A) (See Fig 13).
5. Install the waste pipe, bottle trap (D) and flexi pipe (E) in the cavity (See Fig 14) and then screw plywood level in position.

Note! Some shower trays have a protective film (indicated by a label on the surface) which must now be removed, undertaking a final inspection of the shower tray at this stage. DO NOT PROCEED IF NOT SATISFIED.

6. If fitting the optional Flexi Seal Strip (not supplied) follow the instructions on page 6 and attach the strip to the shower tray.
7. Before proceeding dry fit all items in situ to ensure compatibility.

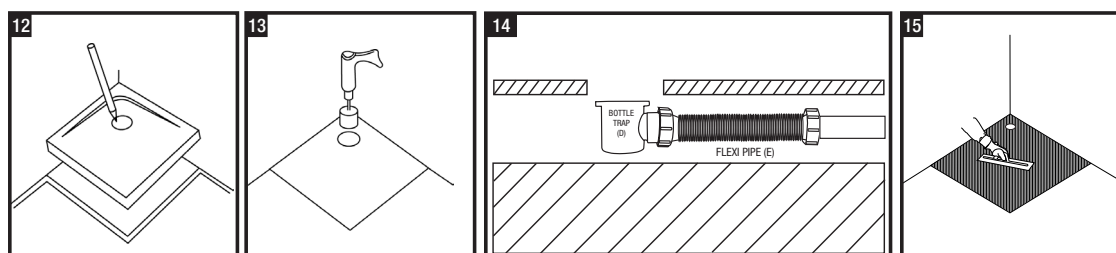
Note! It is normal for the tray to appear elastic when undertaking a test dry fit.

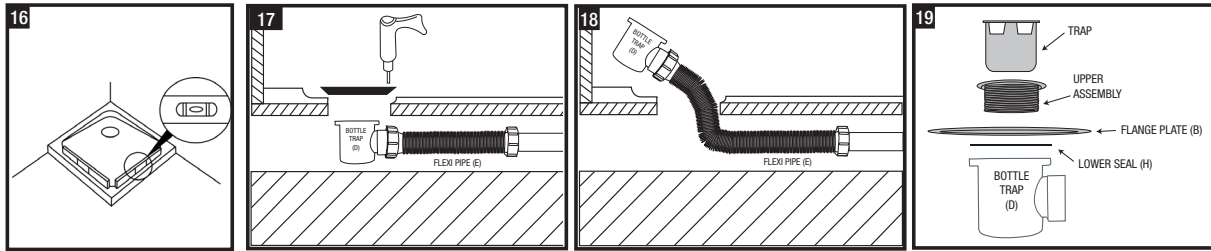
8. Use installation compound adhesive or a suitable adhesive to cover the full area under the shower tray. Apply or trowel to a thickness suitable to allow full adhesive support of the shower tray (See Fig 15).

Note! Always follow the instructions supplied with the adhesive.

9. Place the shower tray (A) onto the wet adhesive ensuring that it is fully supported. Check the level of the top rims only as the shower tray has a built in fall for adequate drainage (See Fig 16 page 5).

Note! Ensure tray is fully stuck down, weight down if necessary, to ensure level and good contact.





10. Remove any excess and allow adhesive to set. Place the Flange Plate (B) in position on Shower Tray (A) and then using the 2mm Drill Bit (F) drill a hole in the shower tray (A) through the centre of one of the five pre drilled holes in the flange plate (B). Screw the flange plate (B) using one of the five screws (C) to the shower tray (A) **DO NOT OVERTIGHTEN**. (See Fig 17).
11. With the flange plate (B) securely in position proceed to drill a hole through the remaining pre drilled holes in the flange plate (B) into the shower tray (A) (See Fig 17). Then unscrew and remove the flange plate (B) from the shower tray (A).
12. Extend the flexi pipe (E) with bottle trap (D) attached by pulling through the hole in the shower tray (A) (See Fig 18) then assemble (without dome) onto flange plate (B) (See Fig 19), using replacement lower seal (H) only. Make sure that the flange plate (B) is aligned with the pre-drilled screw holes around the periphery of the outlet hole.

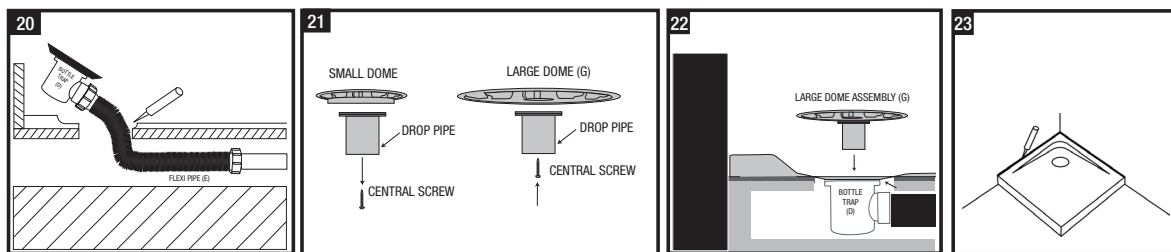
Note! It is important to discard the lower seal supplied with bottle trap (D) when assembling on to flange plate (B), and use only replacement seal (H) as supplied with tray.

A silicone sealant should be used on all surfaces against the Flange Plate (B).

13. Apply silicone over the entire area between the edge of the outlet hole in the shower tray (A) and the underside of the flange plate (B) (See Fig 20). Push the assembly back through the hole taking care not to kink or sag the flexi waste pipe (E) and attach flange plate (B) to the shower tray (A) using the five screws (C) **DO NOT OVERTIGHTEN**. Remove any excess silicone.
14. Remove drop pipe from original small dome on bottle trap (D) by unscrewing the central screw in the base of the dome. Re-attach drop pipe to large dome (G) supplied with tray by using the same central screw in the base (See Fig 21). Then push fit large dome assembly into bottle trap (D) (See Fig 22).

Note! The shower tray and all connections must now be checked for water tightness, flow and adequate drainage over the entire area. **DO NOT PROCEED IF NOT SATISFIED.**

15. After all checks and adjustments seal along the tiling line with silicone sealant if necessary use a proprietary silicone cleaning solvent prior to application (See Fig 23).



Flexi Seal Strip (Not Supplied with Tray) Installation Instructions

This product is intended as a flexible tiling upstand and should be fitted to the side of the tray adjacent the walls only.

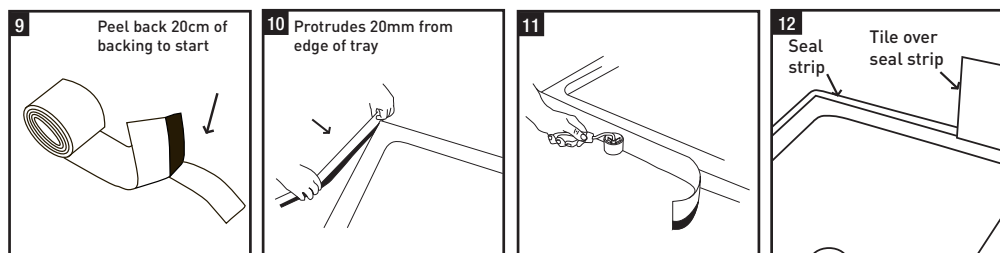
Tools and Materials Required: (not supplied)

- Damp Cloth
- Scissors
- Small Roller (or other appropriate tool)
- Silicone sealant (or other suitable sealant)

1. Wipe the surfaces clean where the strip will be attached first with a clean damp cloth, allow to dry and then wipe with the IPA wipe supplied in the kit.
2. Determine the length of strip required to seal around the shower tray and cut to length with scissors. (Ensure you cut at least 20mm longer than needed).
3. Peel back approximately 20cm of backing from the adhesive strip (See Fig 9).
4. Attach to the edge of the shower tray so that it is square and the edge protrudes at least 20mm above the edge of the tray, (See Fig 10) making sure the adhesive strip is positioned so that it will not come into contact with any silicone you are using at stage 8.

Note! On Optimum shower trays, please ensure the bottom of the flexi strip does not protrude below the base of the tray.

5. Using a small roller or other appropriate tool roll the seal strip so that it attaches firmly to the edge of the tray removing any bubbles or creases, paying particular attention to the corners (See Fig 11).
6. Gradually remove the cover strip in sections and roll on the seal so it attaches firmly and square to the edge of the tray, making sure there are no gaps between tray and seal strip. Trim off any excess strip.
7. Install the shower tray in the correct position and tile over the seal strip (See Fig 12).
8. Put a protective bead of silicone or other suitable flexible sealant between the tray and the tile, ensuring it does not come into contact with the adhesive material on the flexi seal strip.



Care & Use of Your Shower Tray

These installation instructions should be retained and passed to the user for possible future reference.

Your shower tray can be maintained in an as near new condition for many years by following a simple cleaning procedure as follows:

It is normal for small amounts of localized water to be retained on the shower tray's surfaces after use which should be wiped dry immediately to prevent build up of sediments.

The shower tray should be cleaned regularly with warm, soapy water only and dried with a cloth. Never use scourers, abrasives, bleach or other chemical cleaners.

Troubleshooting:

Q: What is a suitable contact adhesive?

A: Contact your local DIY retailer and request an adhesive intended for sticking ABS (the plastic base of shower tray) to wood / concrete as applicable.

Q: The waste outlet in the shower tray is directly over an obstruction at floor level.

A: Consider switching to a universal panel and Easy Plumb Kit or re-locating shower tray.

Q: There is water retaining on the surfaces of the tray.

A: Check that the shower tray is level (top rims) as it is normal for small amounts of localized water to be retained.

Q: The shower tray will not fit the space available.

A: Consider recessing the edge of the tray into adjoining walls or using a smaller shower tray and enclosure.

Q: Water will not flow fast enough down the waste outlet.

A: Check that the waste unit is correctly installed using replacement seal (H) and that outlet pipe has sufficient angle and is not kinked or sagging causing an air blockage.

Q: The enclosure will not fit on the shower tray.

A: Check that the available surface on top of the tray is compatible with the size, shape and adjustment range of your enclosure, change enclosure if required.

Q: Water escapes from a fitted walkin or frameless enclosure.

A: It is normal for spillage to occur from walkin or frameless type enclosures, consider changing to a fully framed enclosure.

Q: Could I have a carpet on the floor in the bathroom?

A: It is advised that you use only safety vinyl or tiled flooring in the bathroom area

Customer Care: 0845 505 2211
Monday - Friday 9am - 5pm