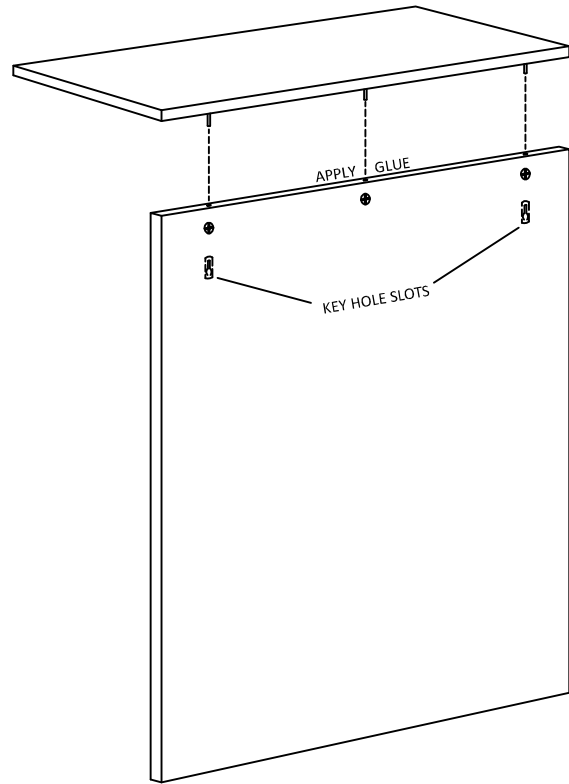
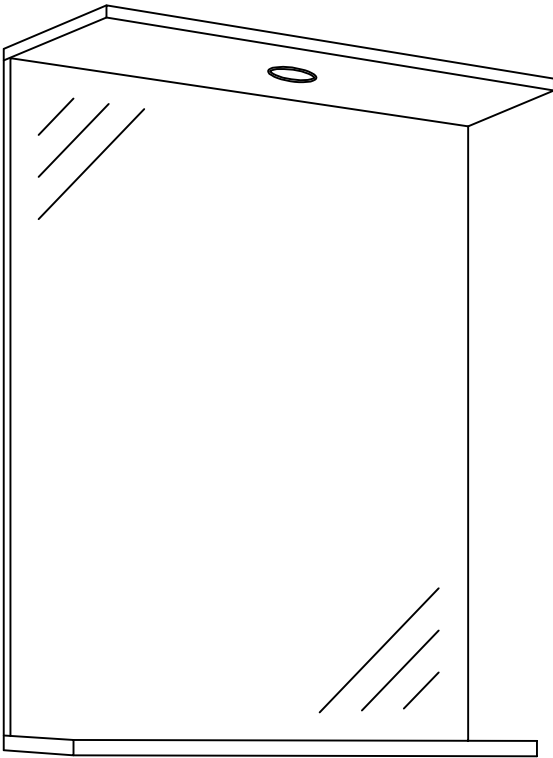


MIRROR with SHELF INSTALLATION INSTRUCTION



1. IT IS RECOMMENDED THAT YOU APPLY PVA GLUE ALONG THE TOP EDGE OF THE MIRROR PANEL AND BACK EDGE OF THE BOTTOM PANEL. PLEASE TAKE CARE NOT TO LEAVE ANY RESIDUE GLUE ON THE DECORATIVE SURFACES. (GLUE NOT SUPPLIED)

2. SCREW THE CAM PINS INTO THE PRE-DRILLED HOLES. LOCATE THE TOP AND BOTTOM PANELS AND TIGHTEN THE CAMS.

3. POSITION THE MIRROR ON THE WALL IN THE DESIRED POSITION. MAKING SURE THAT THE MIRROR IS LEVEL, MARK THE WALL LIGHTLY WITH A PENCIL.

4. CHECK THE POSITIONING OF THE KEY HOLE SLOTS IN THE BACK OF THE MIRROR AND MARK ACCORDINGLY ON THE WALL.

5. IT IS RECOMMENDED THAT YOU DRILL THE WALL FOR A No 10 PLUG AND SCREW. MAKE SURE THE HEAD OF THE SCREW REMAINS PROUD SO THAT THE MIRROR CAN EASILY BE SLOTTED ONTO THE KEY HOLE BRACKETS ON THE REVERSE OF THE MIRROR PANEL. (FIXINGS NOT SUPPLIED)

6. ALL ELECTRICAL WORK MUST BE CARRIED OUT BY A QUALIFIED ELECTRICIAN.

