

SHOWER TRAY INSTRUCTION

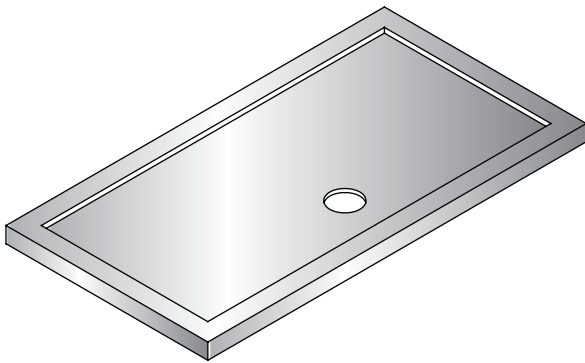
Rectangle Shower Tray

1500mm x 700mm x 35mm
 1500mm x 760mm x 35mm
 1500mm x 800mm x 35mm
 1600mm x 700mm x 35mm
 1600mm x 800mm x 35mm
 1600mm x 900mm x 35mm

1700mm x 700mm x 35mm
 1700mm x 760mm x 35mm
 1700mm x 800mm x 35mm
 1700mm x 900mm x 35mm
 1700mm x 1000mm x 35mm

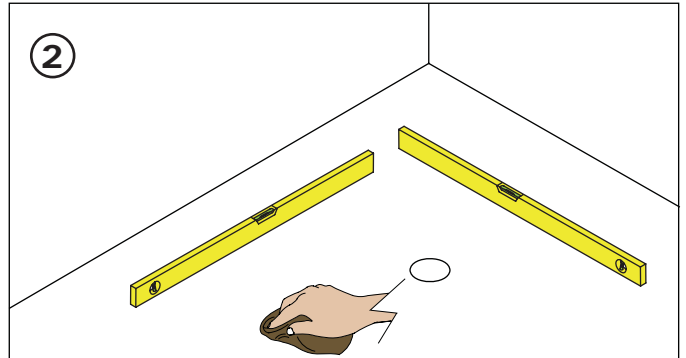
ON FLOOR INSTALLATION

①



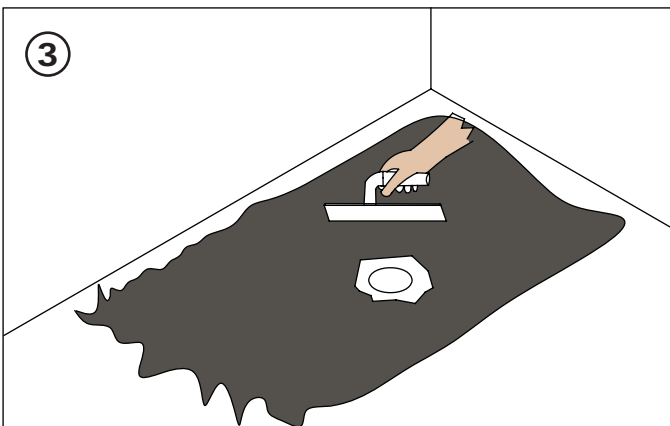
Remove protective plastic film from the areas near the waste and those sides of the tray which will be against a wall.

②



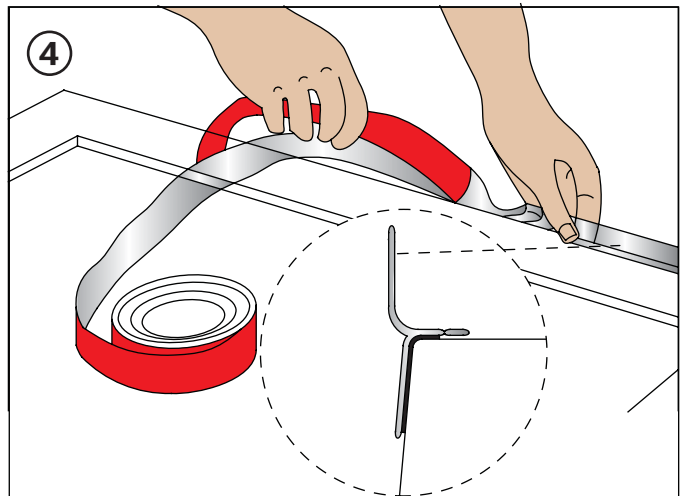
Ensure that the location of the shower tray is firm, level, and clean.

③



Install the shower tray on a 15mm depth of weak cement mix (sand/cement ratio 5:1). Tile adhesive can be used as an alternate to sand or cement. Please note if using water based adhesives, to enhance the bonding it is suggested that a suitable primer is applied to the base of the shower tray before installation.

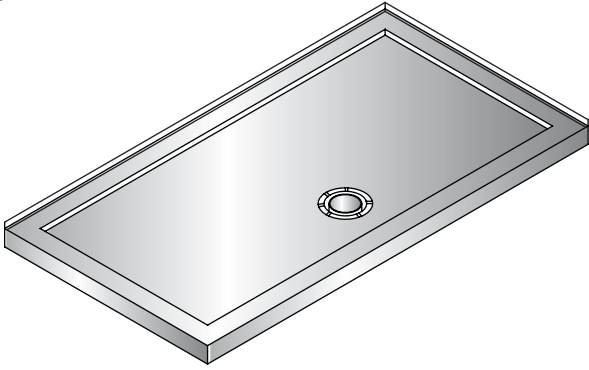
④



It is recommended that the 'easyseal' water sealing strip should be installed at the sides against wall. For the detailed installation method, please refer to the "Waterproof Sealing Strip instruction".

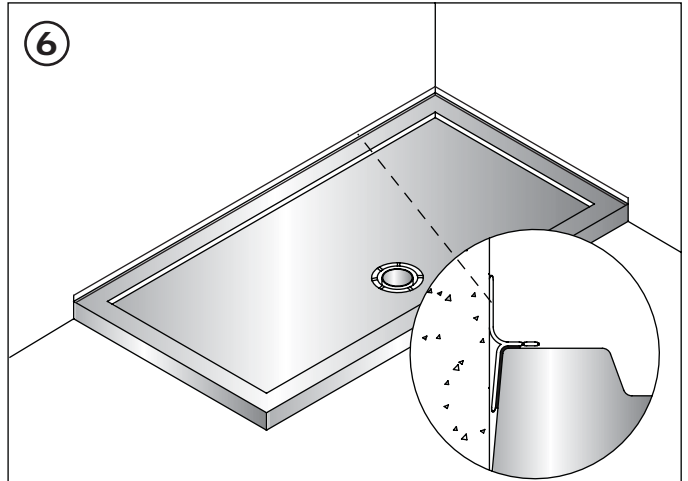
ON FLOOR INSTALLATION

⑤



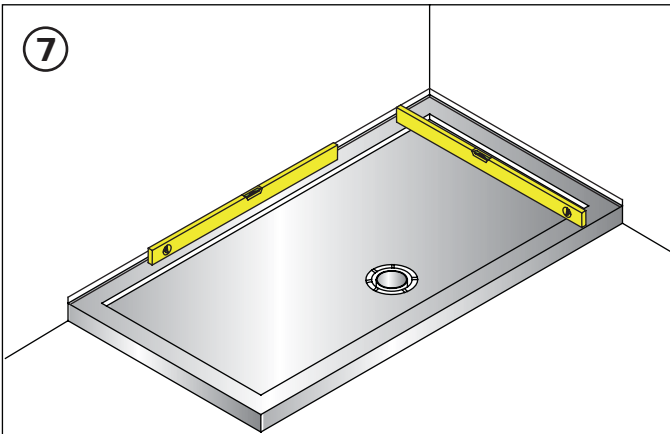
Fit the shower tray waste.

⑥



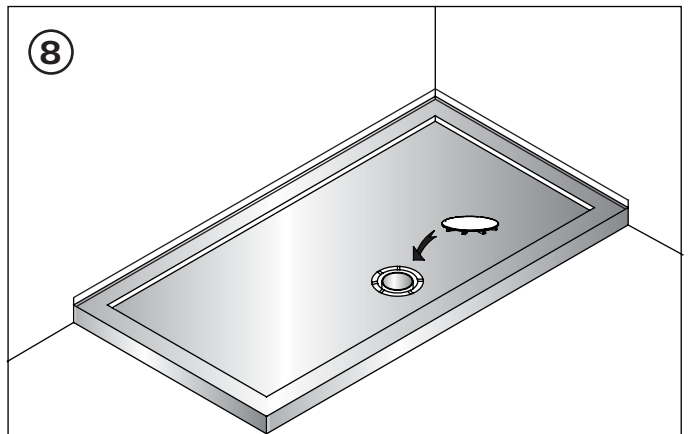
Ensure the 'easyseal' water sealing strip is flat to the wall. Place the shower tray onto the cement bed and apply gentle pressure with the palm of the hand to bed the tray into position.

⑦



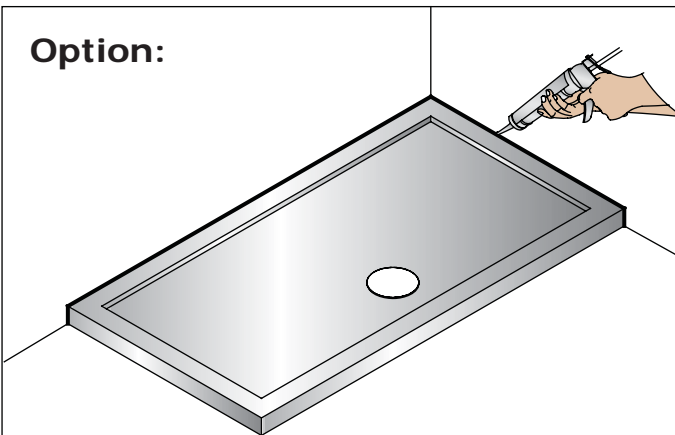
Level the tray and allow to set.

⑧



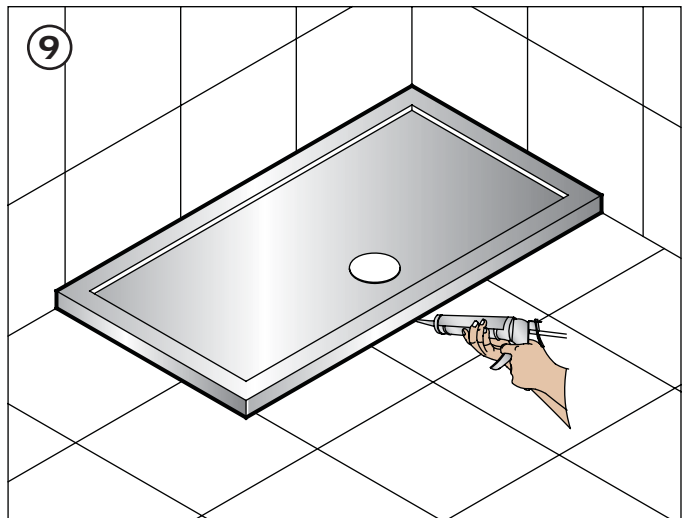
When shower tray is set remove the remainder of the protective plastic film and connect the waste pipe and check for leakage and water drainage.

Option:



* If the 'easyseal' water sealing strip is not installed, please seal joints between tray and wall with an anti fungal silicone sealant and allow to set.

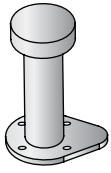
⑨



Tile and seal joints with an anti fungal silicone sealant and allow to set.

RAISED INSTALLATION - Panel Pack B

Parts Supplied:



16x



M4*14mm
64x



5x



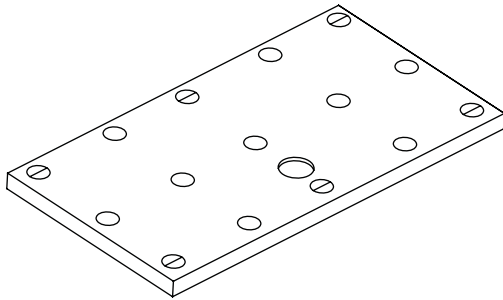
1x



1x

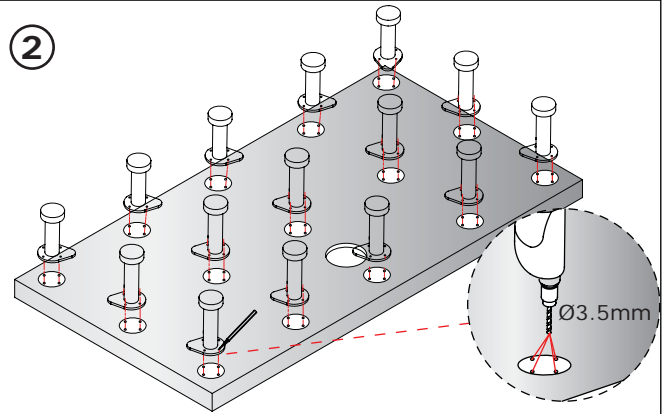
1

⚠ For these instructions the layout shown for the symbols on the base of tray is a guide, and each size of tray will have a slightly different layout. Therefore depending on the tray you may have extra legs which are not required.



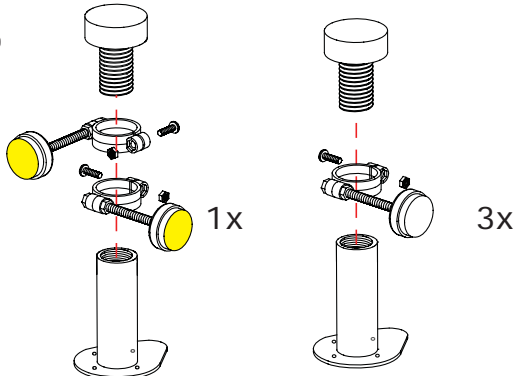
Turn the tray over and use the cardboard packaging as a protective mat. Note the circles that have been marked to indicate feet position. The symbol ⊕ indicates where you should fix the feet with the panel fixing rod, but for the symbol ⊖ you will only use four of these positions and the other two would be supplemented with the feet without the panel fixing rod.

2



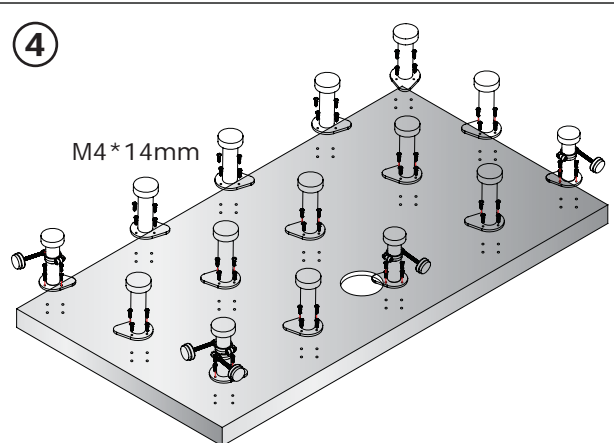
Using the appropriate foot as a guide mark with a pencil the fixing hole positions, and then using a 3.5 diameter bit drill to a maximum depth of 5mm. **DO NOT OVER DRILL PAST THE 5MM DEPTH.**

3



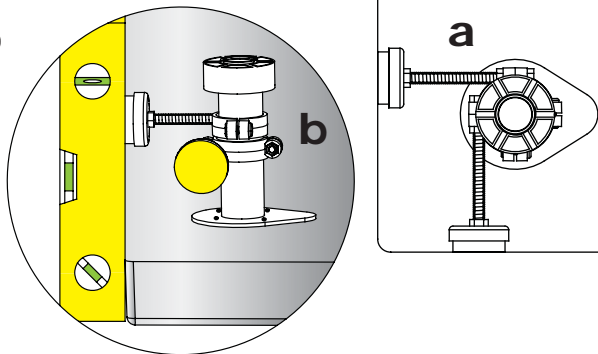
Assemble the panel fixing rods to the feet.

4



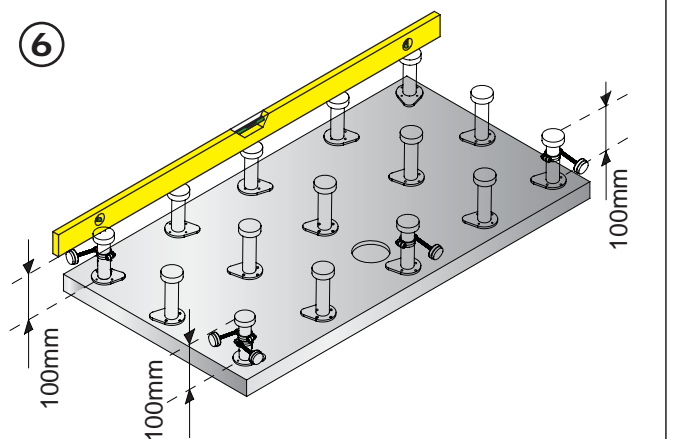
Screw the feet in position with the screws provided. Ensure that the foot that has two panel fixing rods attached, is placed in the corner where the panels will meet.

5



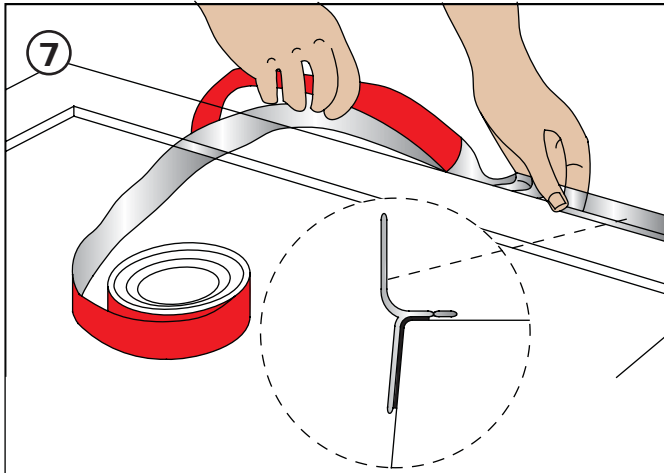
a: Ensure the panel fixing rods are located at 90° to the edge of the tray as shown above.
b: Ensure the face of the panel fixing rods is lined up with outside edge of the tray as shown above.

6



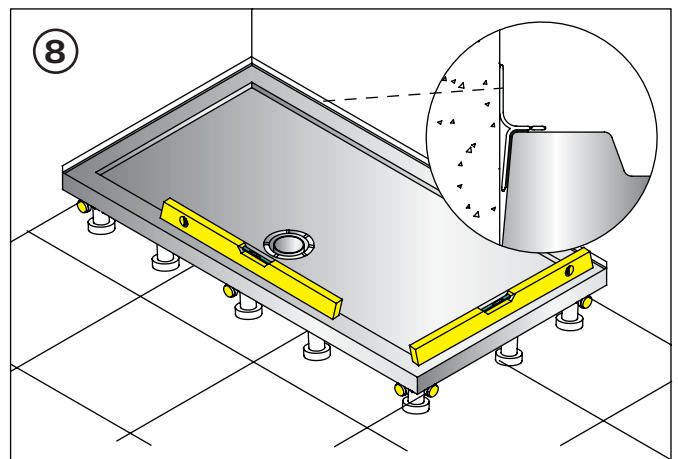
When all of the feet have been fitted, the feet in the corner positions should be adjusted to 100mm.

RAISED INSTALLATION

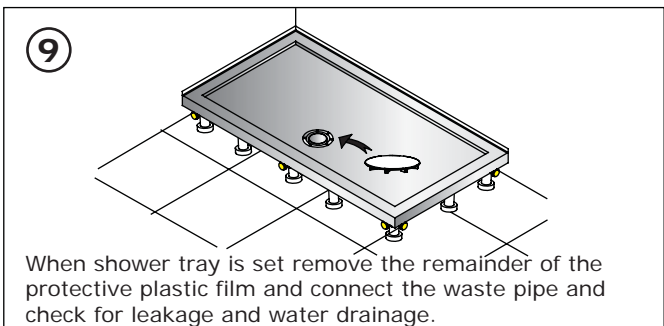


Turn the tray over and fit the shower tray waste.

It is recommended that the 'easyseal' water sealing strip should be installed at the sides against wall. For the detailed installation method, please refer to the "Waterproof Sealing strip instruction".

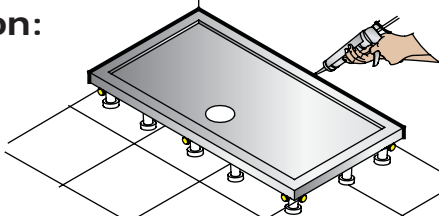


Ensure the 'easyseal' water sealing strip is flat to the wall. Place the tray into position and level both ways using the legs. After the tray has been levelled adjust all the inner feet to stabilise the tray. When level fix these legs to the floor with silicon sealant or 'no more nails' type adhesive.

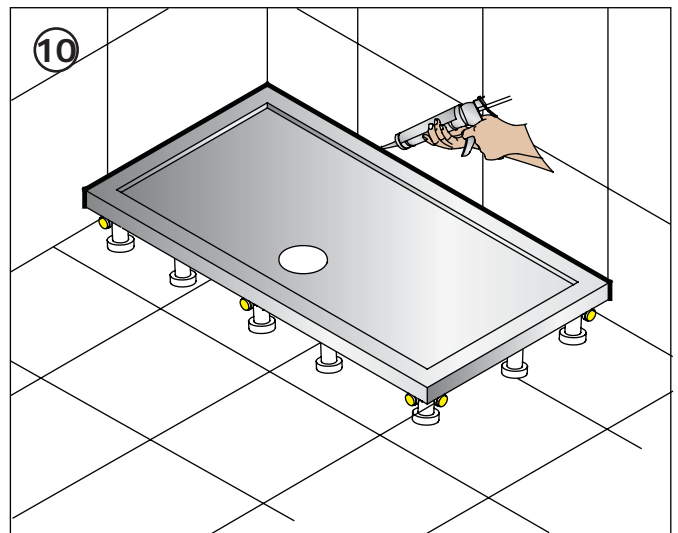


When shower tray is set remove the remainder of the protective plastic film and connect the waste pipe and check for leakage and water drainage.

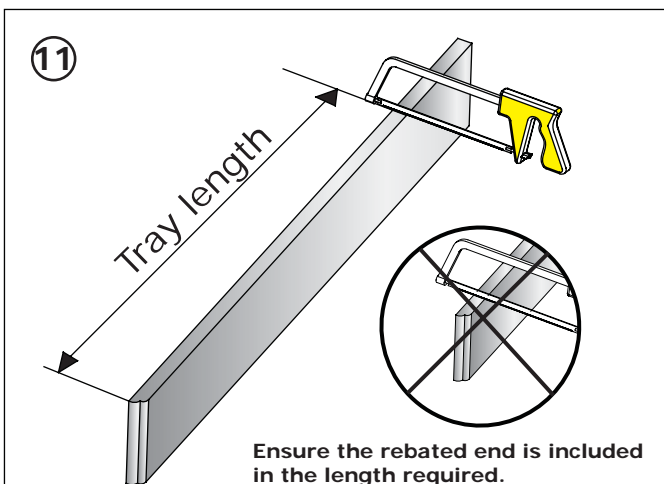
Option:



* If the 'easyseal' water sealing strip is not installed, please seal joints between tray and wall with an anti fungal silicone sealant and allow to set.

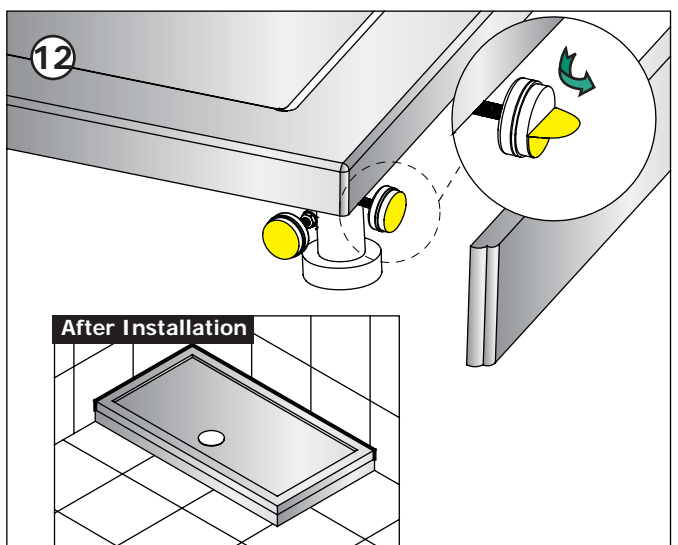


Tile the wall and seal joints with an anti fungal silicone sealant and allow to set.

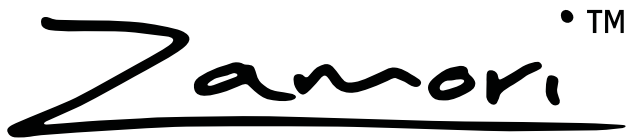


Ensure the rebated end is included in the length required.

Mark the length of panel required for both edges and cut with a junior or standard hacksaw.



Remove the protective cover from the adhesive tape. First fix the rebated panel pushing it firmly on to the adhesive pads. Then fix the remaining panel in the same manner.



SHOWER TRAY INSTRUCTION

Care & Maintenance

Providing the shower tray has been correctly installed, difficulties should not be encountered. If any maintenance is required then it must be carried out by a qualified Plumber or Engineer.

It is advised that the shower tray is cleaned regularly, to remove any insoluble products. Hot soapy water should be used and then the tray should be wiped. Cleaners of gritty or abrasive nature should never be used.

The surface of this shower tray has good resistance properties to acids but should not come into contact with alkalis or organic solvents, such as caustic soda, dry cleaning agents and paint strippers.

Minor scratch marks can be removed with metal polishes.