

SHOWER TRAY INSTRUCTION

Offset Quadrant Shower Tray

900mm x 760mm x 35mm

900mm x 800mm x 35mm

ON FLOOR INSTALLATION

①

Remove protective plastic film from the areas near the waste and those sides of the tray which will be against a wall.

②

Ensure that the location of the shower tray is firm, level and clean.

③

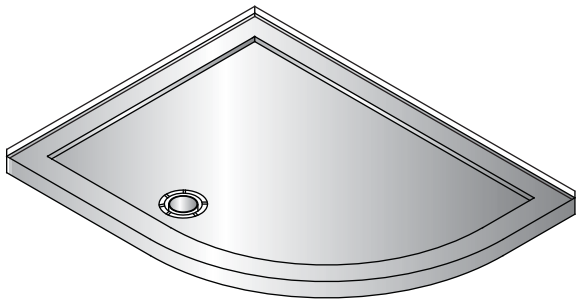
Install the shower tray on a 15mm depth of weak cement mix (sand/cement ratio 5:1). Tile adhesive can be used as an alternate to sand or cement. Please note if using water based adhesives, to enhance the bonding it is suggested that a suitable primer is applied to the base of the shower tray before installation.

④

It is recommended that the 'easyseal' water sealing strip should be installed at the sides against wall. For the detailed installation method, please refer to the "Waterproof Sealing Strip instruction".

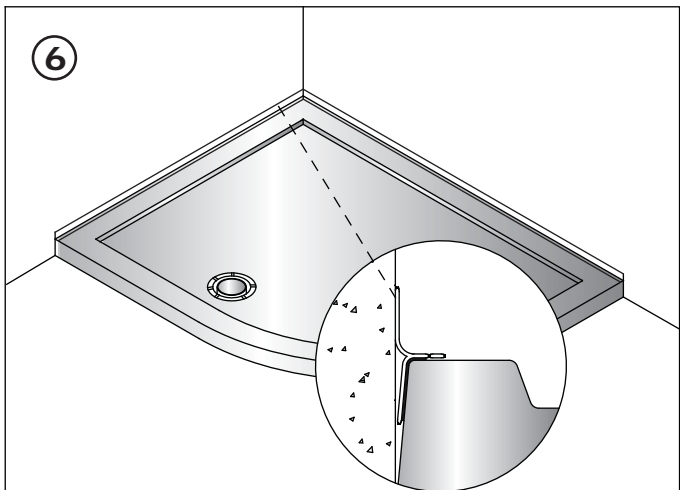
ON FLOOR INSTALLATION

5



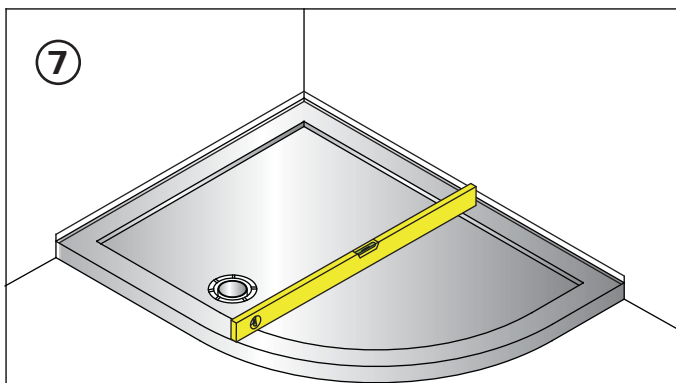
Fit the shower tray waste.

6



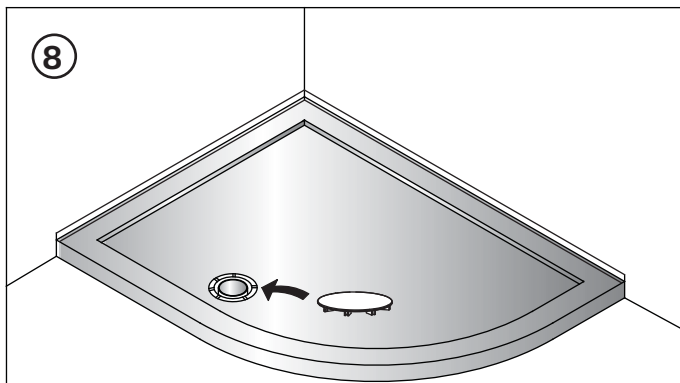
Ensure the 'easyseal' water sealing strip is flat to the wall. Place the shower tray onto the cement bed and apply gentle pressure with the palm of the hand to bed the tray into position.

7



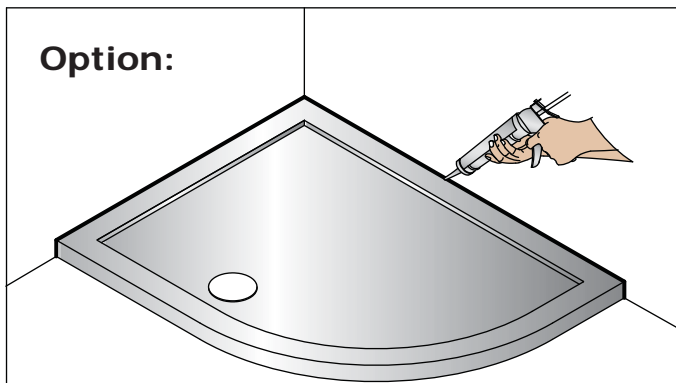
Level the tray and allow to set.

8



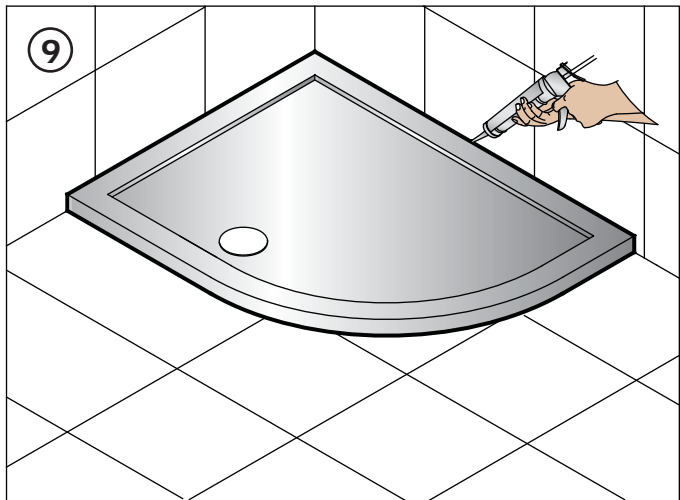
When shower tray is set remove the remainder of the protective plastic film and connect the waste pipe and check for leakage and water drainage.

Option:



* If the 'easyseal' water sealing strip is not installed, please seal joints between tray and wall with an anti fungal silicone sealant and allow to set.

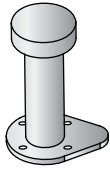
9



Tile and seal joints with an anti fungal silicone sealant and allow to set.

RAISED INSTALLATION - Panel Pack J

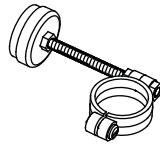
Parts Supplied:



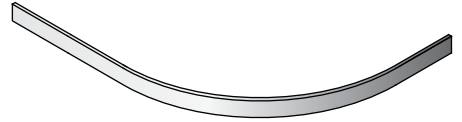
9x



M4*14mm
36x

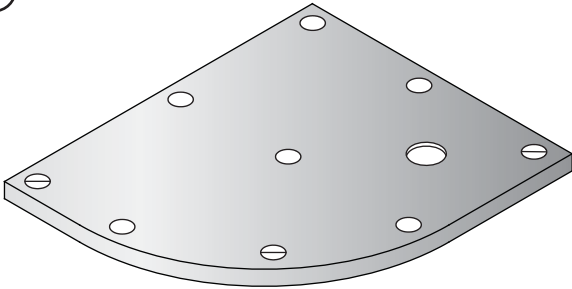


4x



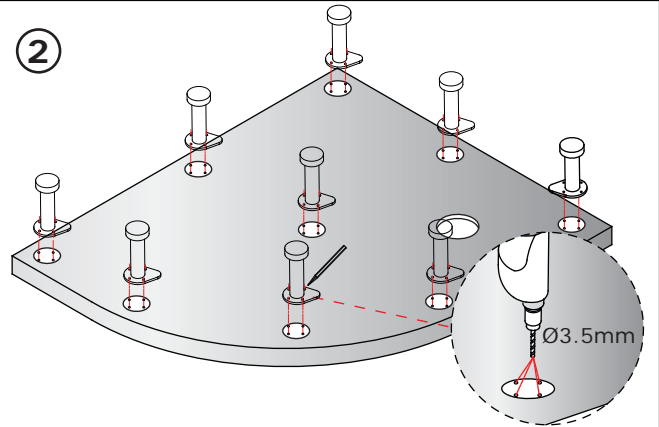
1x

1



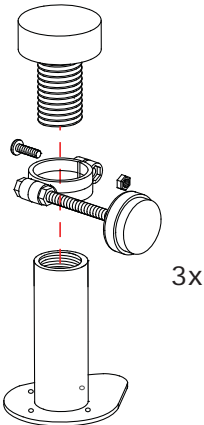
Turn the tray over and use the cardboard packaging as a protective mat. Note the circles that have been marked to indicate feet position. The symbol ⊖ indicates where you should fix the feet with the panel fixing rod.

2



Using the appropriate foot as a guide mark with a pencil the fixing hole positions, and then using a 3.5 diameter bit drill to a maximum depth of 5mm. DO NOT OVER DRILL PAST THE 5MM DEPTH.

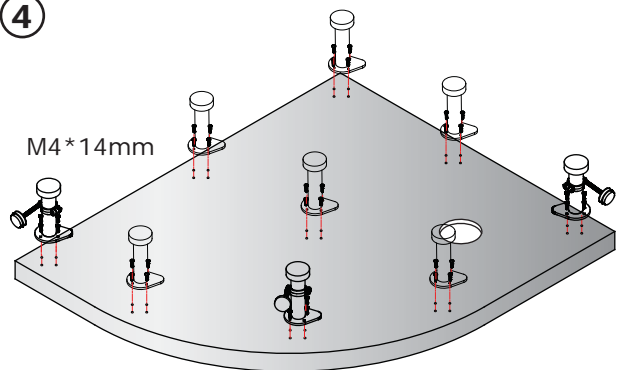
3



3x

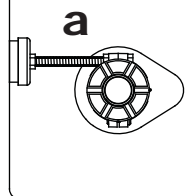
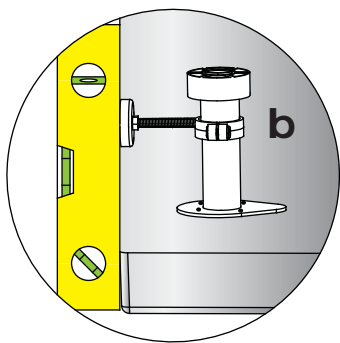
Assemble the panel fixing rods to the feet.

4



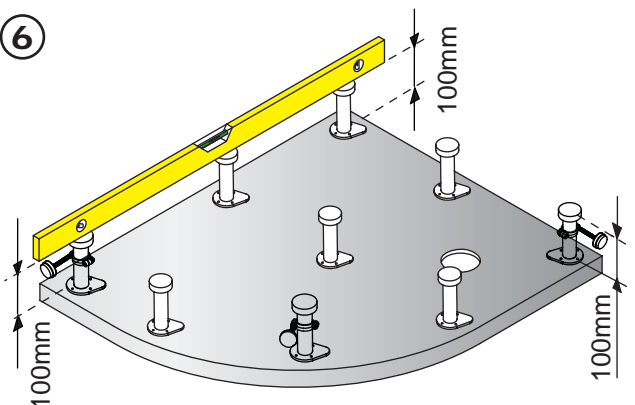
Screw the feet in position with the screws provided. Ensure that the feet that have panel fixing rod attached, are placed around the curved edge where the panels will meet.

5



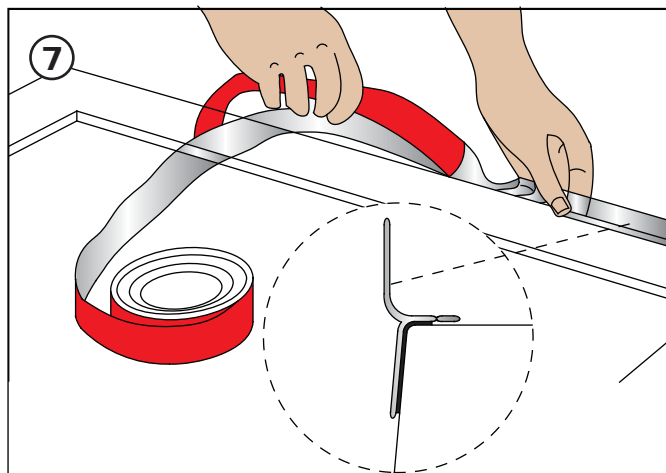
a: Ensure the panel fixing rod is located at 90° to the edge of the tray as shown above.
b: Ensure the face of the panel fixing rod is lined up with outside edge of the tray as shown above.

6

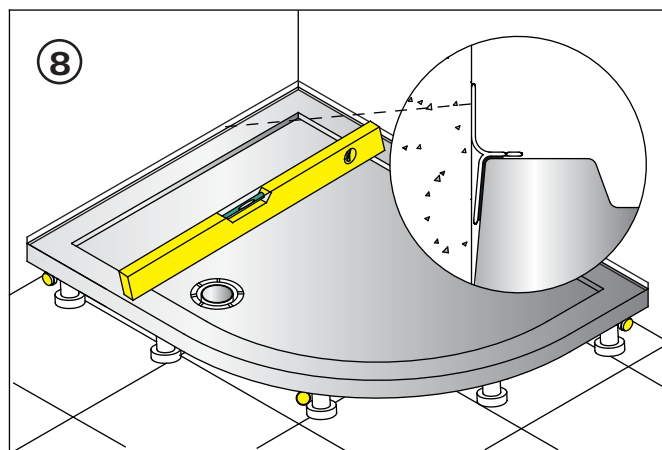


When all of the feet have been fitted, the feet in the corner positions should be adjusted to 100mm.

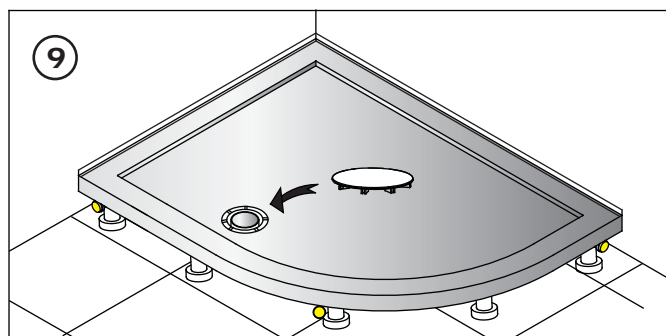
RAISED INSTALLATION



Turn the tray over and fit the shower tray waste.
It is recommended that the 'easyseal' water sealing strip should be installed at the sides against wall. For the detailed installation method, please refer to the "Waterproof Sealing strip instruction".

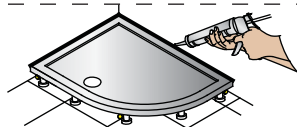


Ensure the 'easyseal' water sealing strip is flat to the wall. Place the tray into position and level both ways using the legs. After the tray has been levelled adjust all the inner feet to stabilise the tray. When level fix these legs to the floor with silicon sealant or 'no more nails' type adhesive.

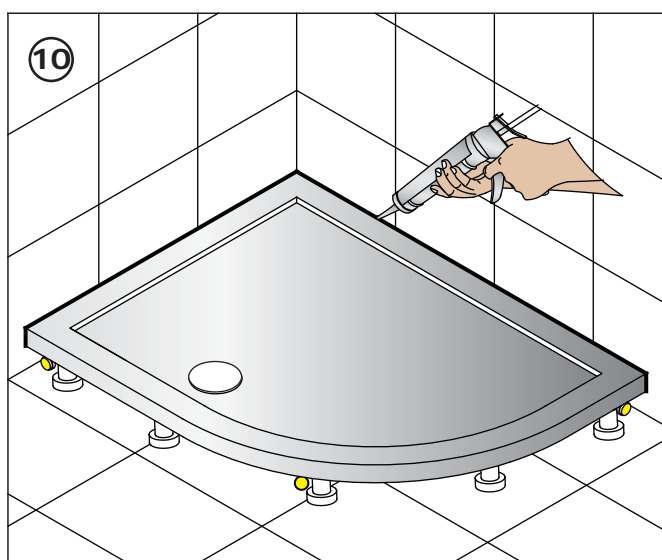


When shower tray is set remove the remainder of the protective plastic film and connect the waste pipe and check for leakage and water drainage.

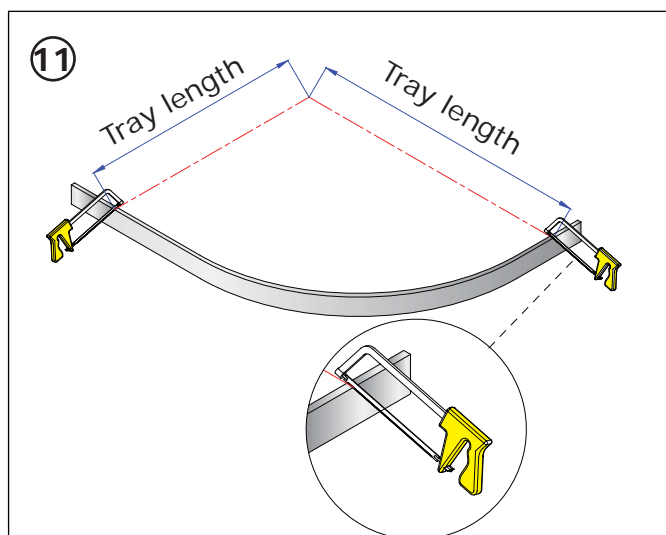
Option:



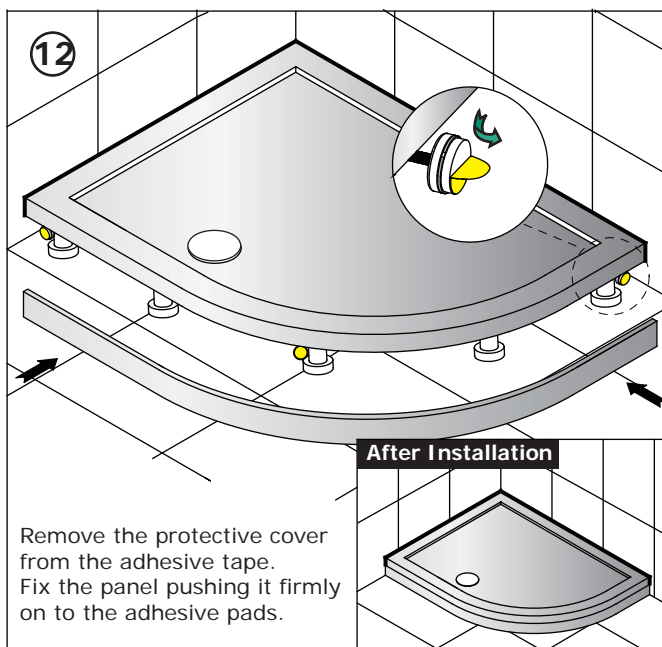
* If the 'easyseal' water sealing strip is not installed, please seal joints between tray and wall with an anti fungal silicone sealant and allow to set.



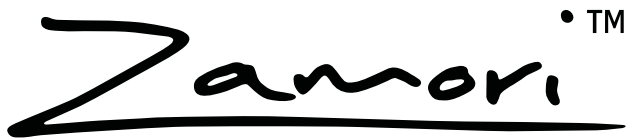
Tile the wall and seal joints with an anti fungal silicone sealant and allow to set.



Mark the length of panel required for both edges and cut with a junior or standard hacksaw.



Remove the protective cover from the adhesive tape. Fix the panel pushing it firmly on to the adhesive pads.



SHOWER TRAY INSTRUCTION

Care & Maintenance

Providing the shower tray has been correctly installed, difficulties should not be encountered. If any maintenance is required then it must be carried out by a qualified Plumber or Engineer.

It is advised that the shower tray is cleaned regularly, to remove any insoluble products. Hot soapy water should be used and then the tray should be wiped. Cleaners of gritty or abrasive nature should never be used.

The surface of this shower tray has good resistance properties to acids but should not come into contact with alkalis or organic solvents, such as caustic soda, dry cleaning agents and paint strippers.

Minor scratch marks can be removed with metal polishes.