



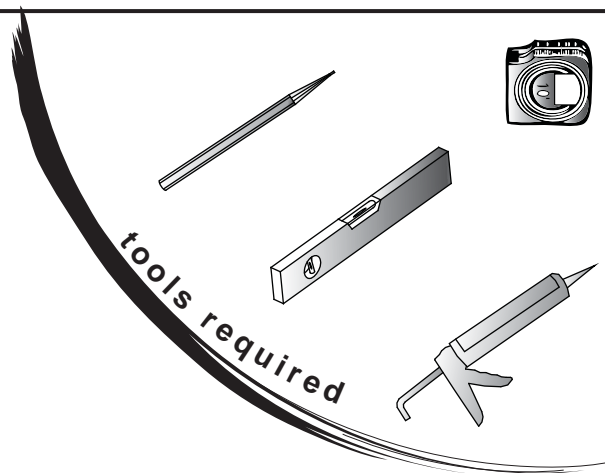
SHOWER TRAY INSTRUCTION

Rectangle Shower Tray

1800mm x 800mm x 35mm

1800mm x 900mm x 35mm

1800mm x 1000mm x 35mm



ON FLOOR INSTALLATION

①

Remove protective plastic film from the areas near the waste and those sides of the tray which will be against a wall.

②

Ensure that the location of the shower tray is firm, level, and clean.

③

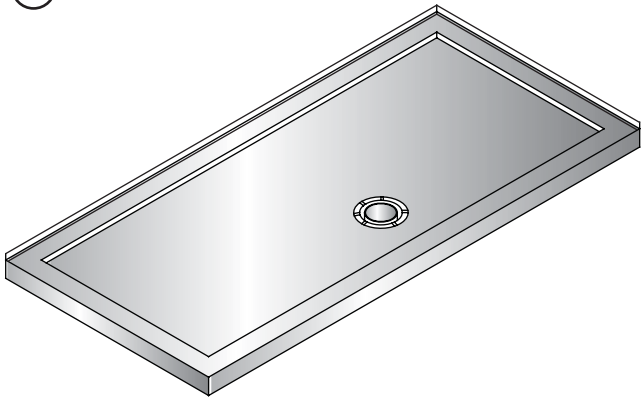
Install the shower tray on a 15mm depth of weak cement mix (sand/cement ratio 5:1). Tile adhesive can be used as an alternate to sand or cement. Please note if using water based adhesives, to enhance the bonding it is suggested that a suitable primer is applied to the base of the shower tray before installation.

④

It is recommended that the 'easyseal' water sealing strip should be installed at the sides against wall. For the detailed installation method, please refer to the "Waterproof Sealing Strip instruction".

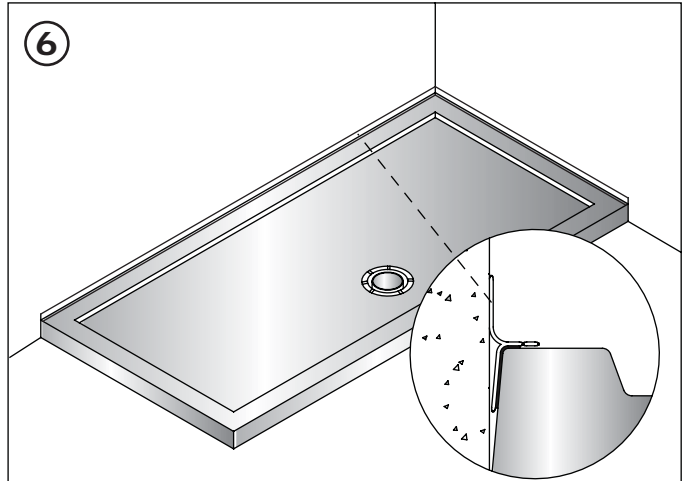
ON FLOOR INSTALLATION

5



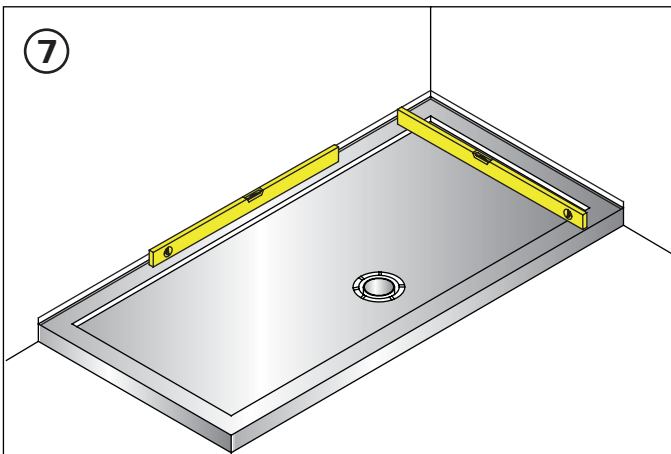
Fit the shower tray waste.

6



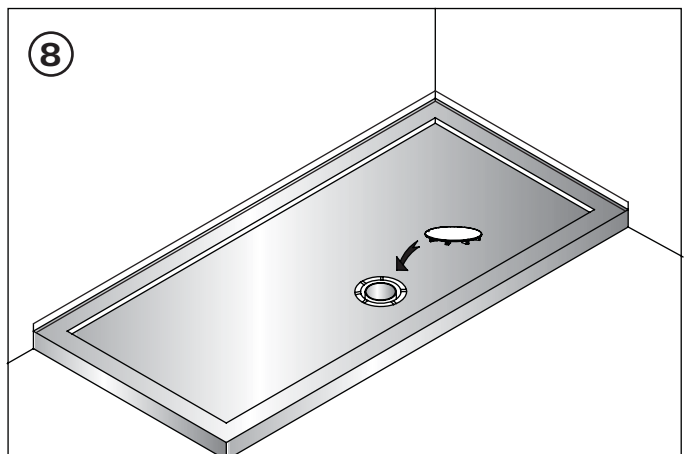
Ensure the 'easyseal' water sealing strip is flat to the wall. Place the shower tray onto the cement bed and apply gentle pressure with the palm of the hand to bed the tray into position.

7



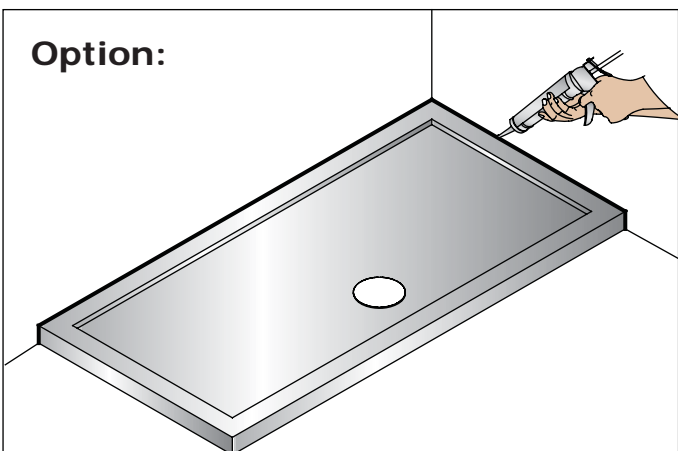
Level the tray and allow to set.

8



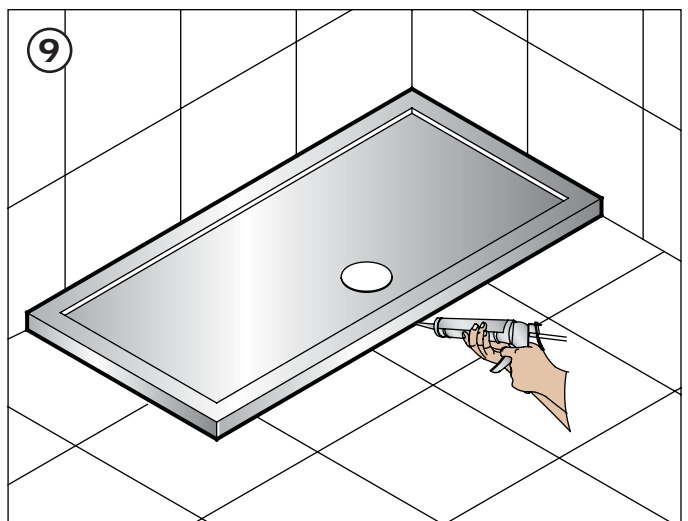
When shower tray is set remove the remainder of the protective plastic film and connect the waste pipe and check for leakage and water drainage.

Option:



* If the 'easyseal' water sealing strip is not installed, please seal joints between tray and wall with an anti fungal silicone sealant and allow to set.

9



Tile and seal joints with an anti fungal silicone sealant and allow to set.



SHOWER TRAY INSTRUCTION

Care & Maintenance

Providing the shower tray has been correctly installed, difficulties should not be encountered. If any maintenance is required then it must be carried out by a qualified Plumber or Engineer.

It is advised that the shower tray is cleaned regularly, to remove any insoluble products. Hot soapy water should be used and then the tray should be wiped. Cleaners of gritty or abrasive nature should never be used.

The surface of this shower tray has good resistance properties to acids but should not come into contact with alkalis or organic solvents, such as caustic soda, dry cleaning agents and paint strippers.

Minor scratch marks can be removed with metal polishes.