

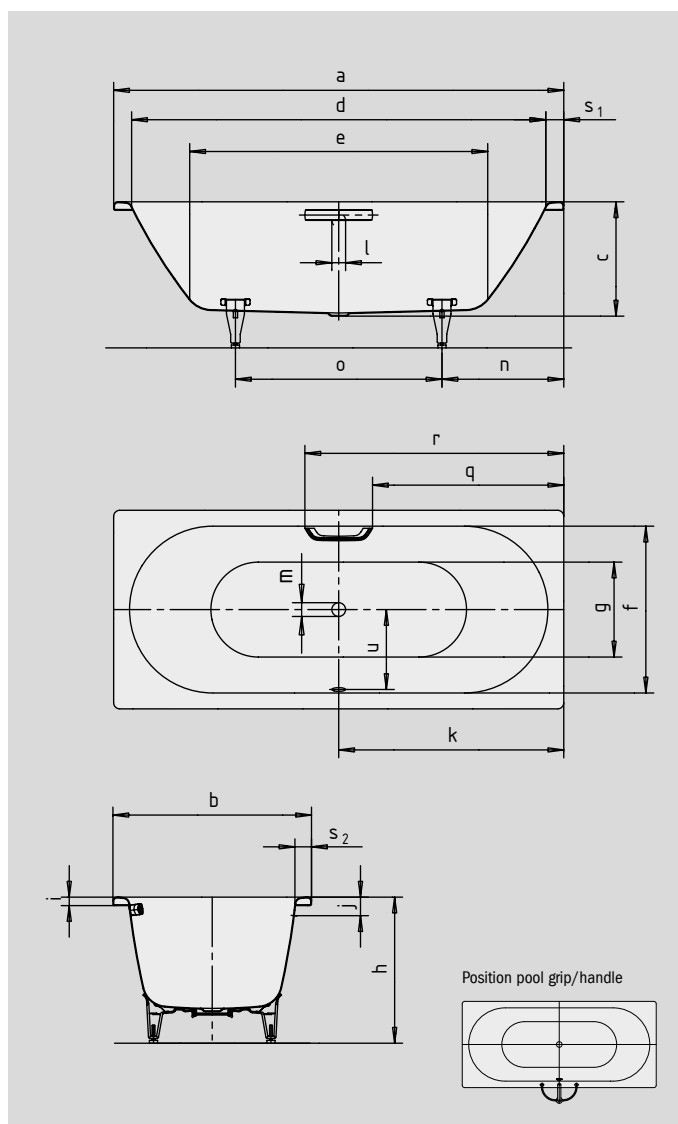
# CLASSIC DUO

- pure simplicity and unpretentious elegance are what distinguish these baths
- bathing with a friend: two identical back rests and centrally positioned waste
- classical four-cornered model
- made of Kaldewei steel enamel 3,5 mm



Similar illustration

**Please notice:**  
The illustrated bath with grip/handle requires a special bath design.  
To attach the grip/handle, a special drilling (standard positioning) in the bath is required (already included in the accessory price).



## DISCREET OPULENCE AMBIENTE COLLECTION



Model No.		103	105	107
External length	a	1600	1700	1700 mm
External width	b	700	700	750 mm
Depth	c	430	430	430 mm
Internal length (top)	d	1480	1580	1580 mm
<b>Internal length (bottom)</b>	<b>e</b>	<b>1030</b>	<b>1130</b>	<b>1130</b> mm
Internal width (top)	f	580	580	630 mm
Internal width (bottom)	g	450	450	500 mm
Height with feet	h	570-605	565-600	560-595 mm
Height of rim	i	32	32	32 mm
Distance top edge to centre of overflow hole	j	70	70	70 mm
Distance bath edge to centre of drain hole	k	800	850	850 mm
Diameter of overflow hole	l	52	52	52 mm
Diameter of drain hole	m	52	52	52 mm
Distance foot end of bath edge to centre of foot	n	560	560	560 mm
Distance between the feet	o	480	580	580 mm
Max. width of feet	p	430	420	470 mm
Distance bath edge to where grip/handle starts	q	672	722	722 mm
Distance bath edge to where grip/handle ends	r	928	978	978 mm
Width of rim (foot end; lengthwise)	s <sub>1</sub> ; s <sub>2</sub>	60; 60	60; 60	60; 60 mm
Distance between centre holes	u	280	280	305 mm
Water volume** in litres		95	110	122
Weight of the enamelled bath in kg		44	47	48
Anti-slip		Ø 288	Ø 288	Ø 435 mm
Full anti-slip		850 x 240	900 x 300	900 x 300 mm

Note: The operational system may protrude on some whirl systems.  
Please refer to the Technical Information for Whirl Systems for further information.  
Subject to technical alterations, tolerances and errors. Similar illustration.  
\*\* 70 litres displacement on average.

**KALDEWEI**