

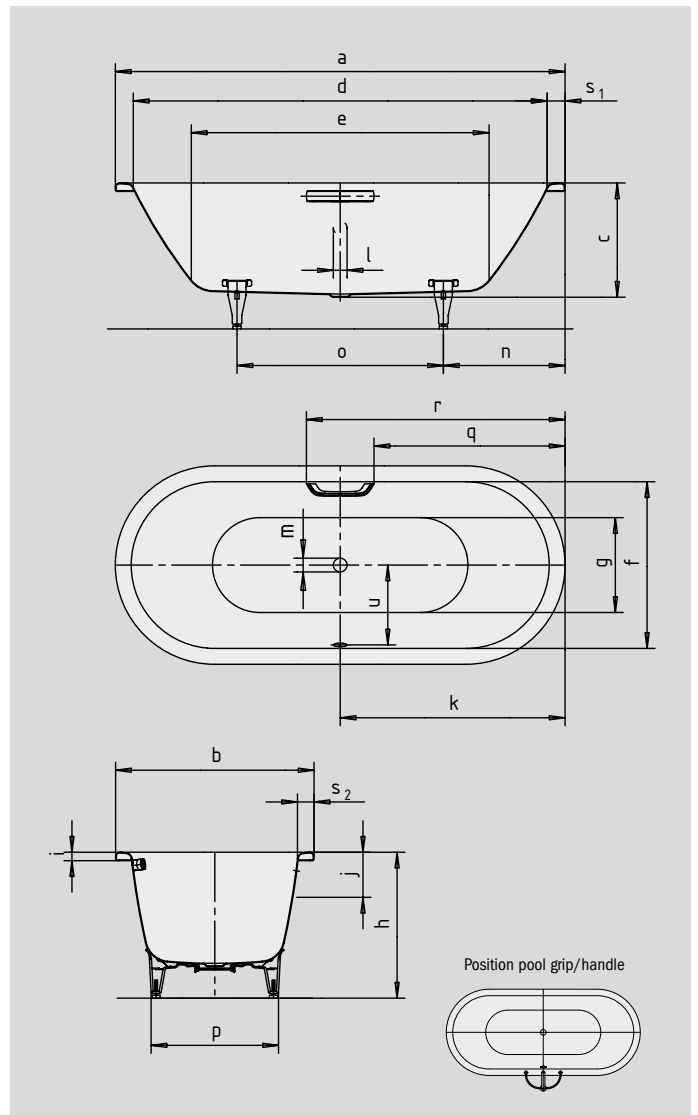
# CLASSIC DUO OVAL

- pure simplicity and unpretentious elegance are what distinguish these baths
- bathing with a friend: two identical back rests and centrally positioned waste
- made of Kaldewei steel enamel 3,5 mm



Similar illustration

**Please notice:**  
The illustrated bath with grip/handle requires a special bath design. To attach the grip/handle, a special drilling (standard positioning) in the bath is required (already included in the accessory price).



DISCREET OPULENCE AMBIENTE COLLECTION

COMFORT SELECT



| Model No.  |                                 | 112         | 116         | 113         | 111            |
|--|---------------------------------|-------------|-------------|-------------|----------------|
| External length                                  | a                               | 1600        | 1700        | 1700        | 1800 mm        |
| External width                                   | b                               | 700         | 700         | 750         | 800 mm         |
| Depth  | c                               | 430         | 430         | 430         | 430 mm         |
| Internal length (top)                            | d                               | 1480        | 1580        | 1580        | 1680 mm        |
| <b>Internal length (bottom)</b>                  | <b>e</b>                        | <b>1030</b> | <b>1130</b> | <b>1130</b> | <b>1230 mm</b> |
| Internal width (top)                             | f                               | 580         | 580         | 630         | 680 mm         |
| Internal width (bottom)                          | g                               | 450         | 450         | 500         | 550 mm         |
| Height with feet                                 | h                               | 560-590     | 565-600     | 555-590     | 555-590 mm     |
| Height of rim                                    | i                               | 32          | 32          | 32          | 32 mm          |
| Distance top edge to centre of overflow hole     | j                               | 70          | 70          | 70          | 70 mm          |
| Distance bath edge to centre of drain hole       | k                               | 800         | 850         | 850         | 900 mm         |
| Diameter of overflow hole                        | l                               | 52          | 52          | 52          | 52 mm          |
| Diameter of drain hole                           | m                               | 52          | 52          | 52          | 52 mm          |
| Distance foot end of bath edge to centre of foot | n                               | 560         | 560         | 560         | 600 mm         |
| Distance between the feet                        | o                               | 480         | 580         | 580         | 600 mm         |
| Max. width of feet                               | p                               | 410         | 420         | 450         | 540 mm         |
| Distance bath edge to where grip/handle starts   | q                               | 672         | -           | 722         | 772 mm         |
| Distance bath edge to where grip/handle ends     | r                               | 928         | -           | 978         | 1028 mm        |
| Width of rim (foot end; lengthwise)              | s <sub>1</sub> ; s <sub>2</sub> | 60; 60      | 60; 60      | 60; 60      | 60; 60 mm      |
| Distance between centre holes                    | u                               | 280         | 280         | 305         | 330 mm         |
| Water volume** in litres                         |                                 | 95          | 110         | 124         | 158            |
| Weight of the enamelled bath in kg               |                                 | 41          | -           | 45          | 50             |
| Anti-slip  |                                 | ∅ 288       | ∅ 288       | ∅ 435       | ∅ 435 mm       |
| Full anti-slip                                   |                                 | 850 x 240   | 900 x 300   | 900 x 300   | 900 x 300      |

Note: The operational system may protrude on some whirl systems.  
Please refer to the Technical Information for Whirl Systems for further information.  
Subject to technical alterations, tolerances and errors. Similar illustration.  
\*\* 70 litres displacement on average.