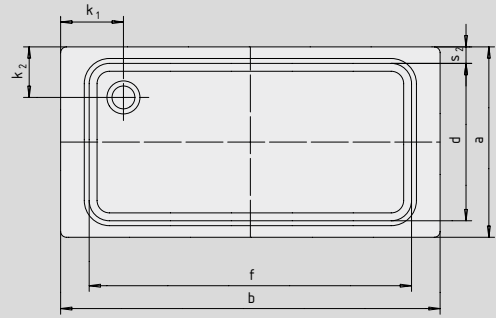
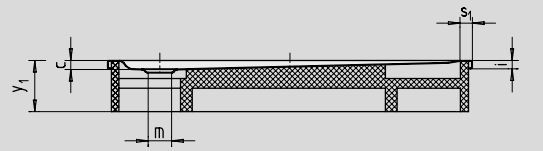


# SUPERPLAN XXL

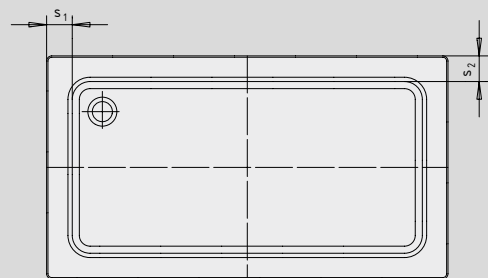
- exclusive, elegant design
- generous dimensions ideal for showering with a friend
- shallow depth ideal for floor level installation and guarantees easy access
- made of Kaldewei steel enamel 3,5 mm
- model 413 with full anti-slip conforms to DIN-barrier-free 18024-2, 18025-1, 18025-2 as well as 18040-1 and E-DIN 18040-2



Similar illustration



Mod. 439, 442, 431, 436, 440, 443



Model No.		439	442	413	431	436	440	443
External length	a	900	1000	1500	700	750	900	1000 mm
External width	b	1500	1500	1500	1600	1600	1600	1600 mm
Depth	c	43	43	52	39	40	43	43 mm
Internal length	d	790	890	1390	590	650	790	890 mm
Internal width	f	1290	1290	1390	1290	1280	1280	1280 mm
Height of rim	i	32	32	32	32	32	32	32 mm
Distance tray edge to centre of drain hole	k <sub>1</sub> ; k <sub>2</sub>	250; 200	250; 200	200	300; 200	300; 200	300; 200	300; 200 mm
Diameter of drain hole	m	90	90	90	90	90	90	90 mm
Width of rim	s <sub>1</sub> ; s <sub>2</sub>	105; 55	105; 55	55	155; 55	160; 50	160; 55	160; 55 mm
Height with support	y <sub>1</sub>	135	135	145	135	135	135	135 mm
Weight of the enamelled shower tray in kg		35	38	55	29	31	37	41
Anti-slip		856 x 549	856 x 549	861 x 861	856 x 300	856 x 300	856 x 549	856 x 549 mm
Full anti-slip		649 x 1177	773 x 1177	1393 x 1397	461 x 1177	524 x 1177	649 x 1177	773 x 1177 mm

Mod. 413

The TÜV Rheinland confirms the following properties of KALDEWEI's anti-slip and full anti-slip finish:

- Assessment group **B** for wet barefoot areas (**DIN 51097**)
- Assessment group **R 10** for slip-resistant properties in work rooms and areas with an increased risk of slipping (**DIN 51130**)

All SUPERPLAN XXL models are available with **full anti-slip** finish.

The model 413 with full anti-slip finish meets the requirements of **DIN-barrierefrei 18024-2, 18025-1, 18025-2** as well as **18040-1** and **E-DIN 18040-2**.