

## TECHNICAL DATASHEET

### Traditional Twin Exposed Thermostatic Shower Valve

<b>Barcode</b>	5055146181552
<b>Product Code</b>	A3099E
<b>Finishes</b>	Chrome
<b>Product Type</b>	Thermostatic Shower Valve
<b>Water Pressure</b>	LP1 - 0.1 bar pressure minimum
<b>Standards</b>	EN200 and/or WRc/NSF
<b>Requirement</b>	Suitable for all plumbing systems

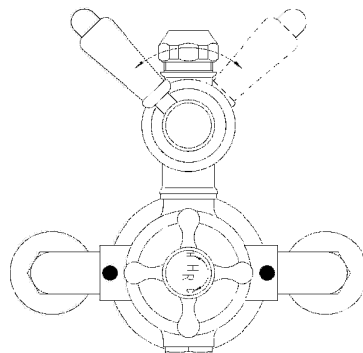
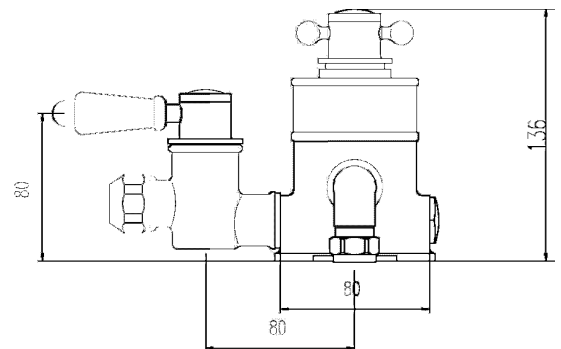
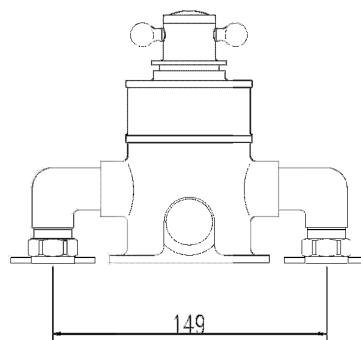


#### Guarantee & Aftercare

During installation extra care must be taken to avoid damaging the fittings. We provide a 20 year guarantee against faulty workmanship or materials (excluding serviceable parts), providing they have been installed, cared for and used in accordance with our instructions.

#### ADDITIONAL INFORMATION

Bar	Flow l/min
0.1	2.5
0.5	13
1	18.5
2	26.5
3	33



**COMPLIANCE:** Pending

**CUSTOMER CARE:**

For further information please call 01282 446789

#### KEY TO PRODUCT PRESSURE REQUIREMENTS

LP - 0.1 bar min

LP2 - 0.2 bar min

MP - 0.5 bar min

HP1 - 1 bar min

HP2 - 2 bar min