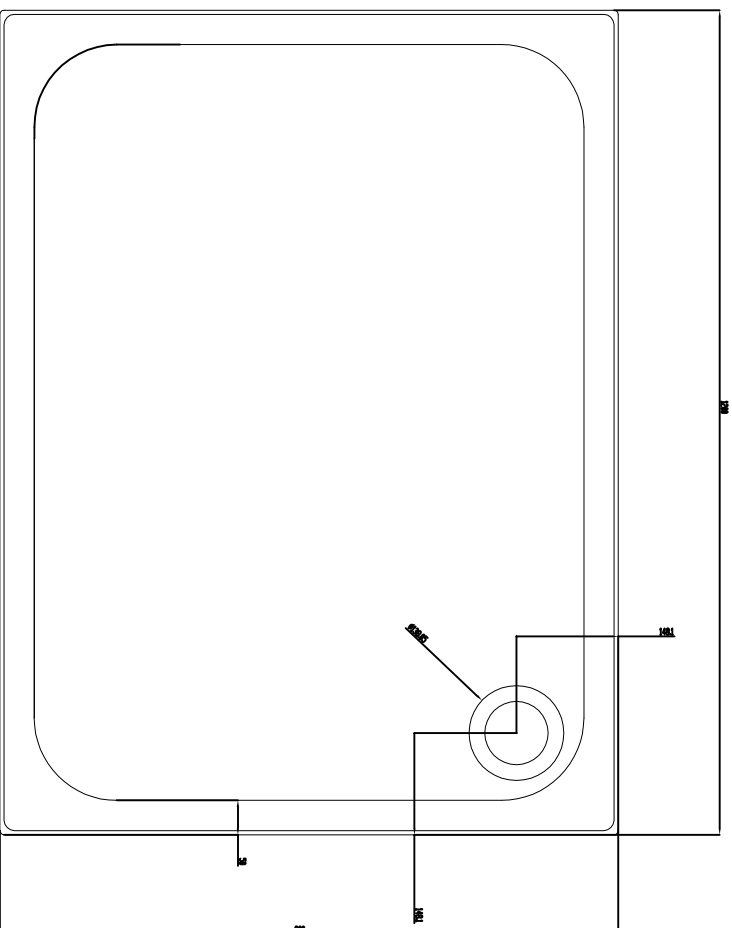
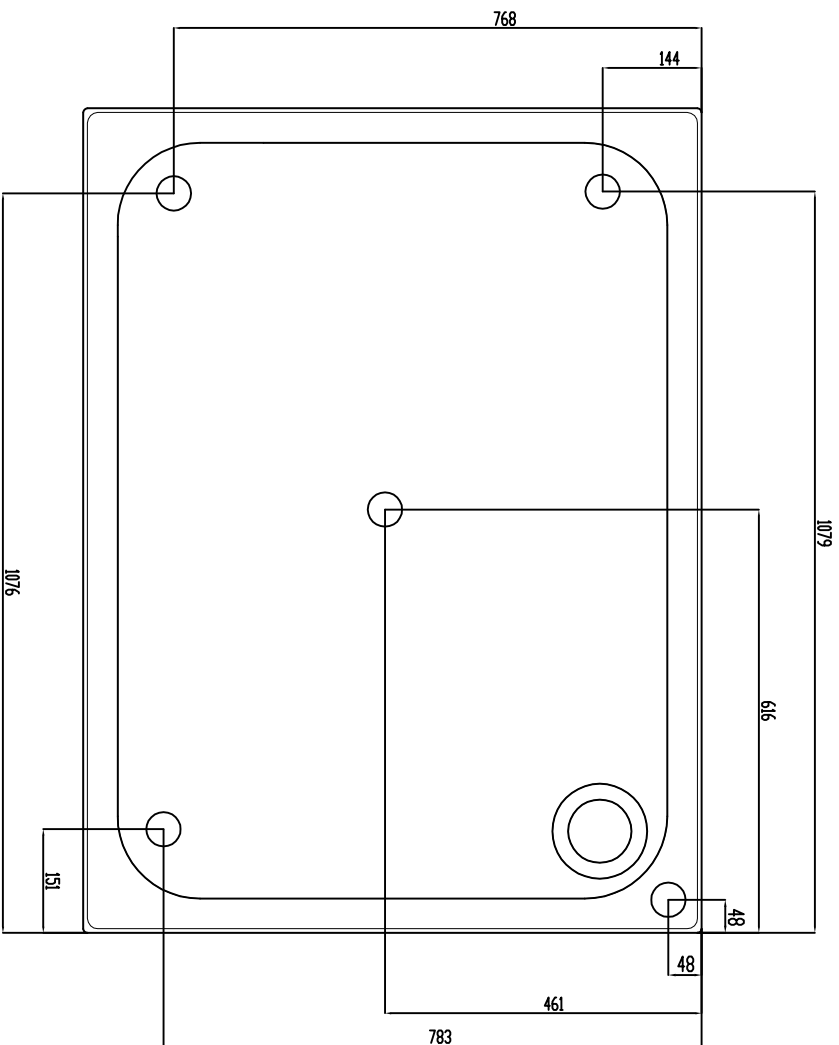


Signed Off: \_\_\_\_\_  
Date: \_\_\_\_\_



Rev.	Reason	By	Chk.	Appr.	Date
Scale: 0:0	Drawn: EOTOole				
Date: 29/10/11	CAD Ref: M00228-01				



Customer: Merlyn  
Tray Detail  
1200x900 Redangle Tray

Drawing: Tray  
Revision: 01