



DC70 TYPE TECHNICAL DATA SHEET



● PRODUCT DESCRIPTION

Easy fit Thermostatic Cartridge for accurate control of water temperature. Built in anti scald function. Reversible Patented Technology. Manufactured from a high grade engineered polymer which is extremely resistant to calcium build up. Suitable for use on LP and HP applications. Manufactured from WRAS approved materials. When this cartridge is used in conjunction with our designated shower body, TMV2 compliance will be achieved.

● PRODUCT APPLICATION EXAMPLES

Dual shower valves and products which require Independent control of the water temperature and flow control.

● TECHNICAL DATA

Max Working Pressure: 10 bar Static
 Min Working Pressure: 0.1 bar Dynamic
 Hot Supply Temp: 55°C-65°C
 Cold Supply Temperature: ≤25°C
 Max Inlet ratio: 5:1

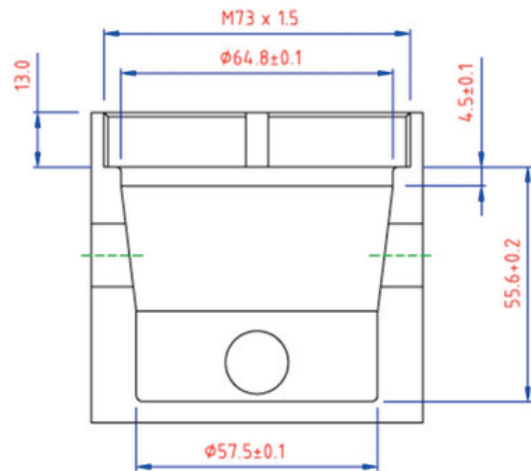
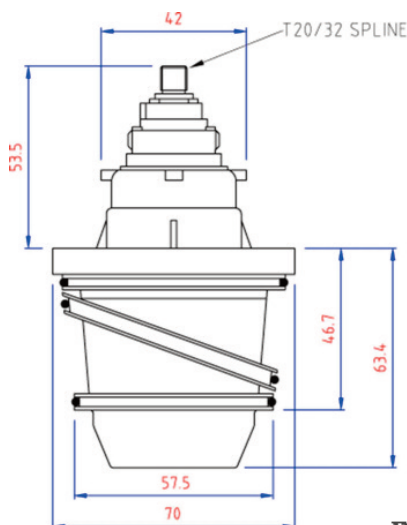
● PATENTS

UK-2385408, US-7073725, EU-1342143, EU-1607819

● TYPICAL APPLICATION EXAMPLES:



● DIMENSIONED DRAWING & HOUSING REQUIREMENT:



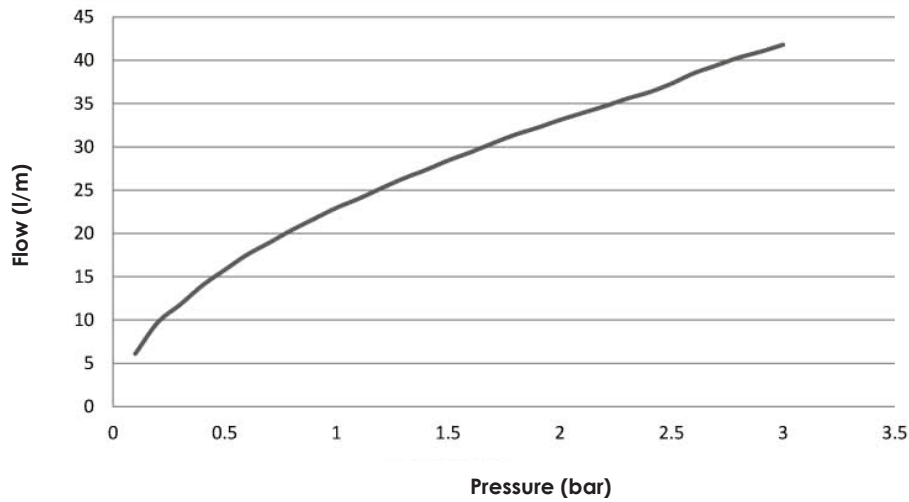
POWERED BY
 VALQUEST



DC70 TYPE TECHNICAL DATA SHEET

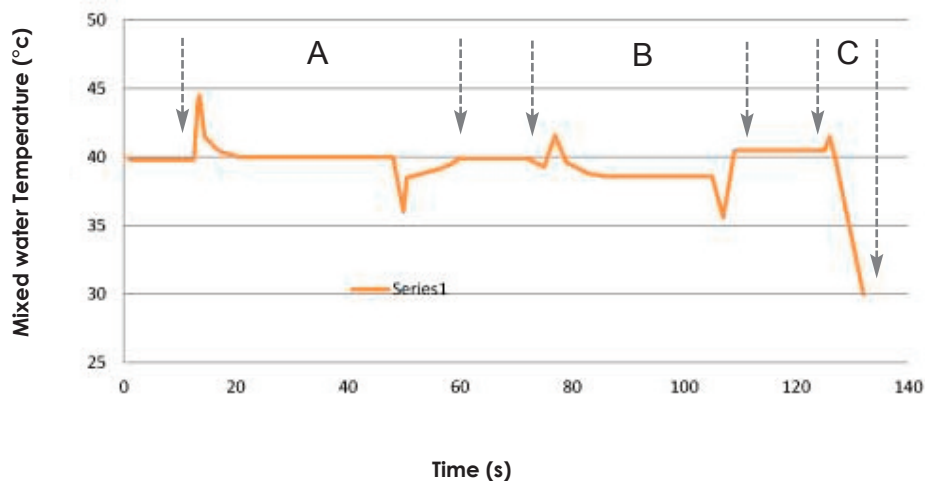


● FLOW RATES



An DC70 Cartridge was placed in a standard body in order to record the above Pressure vs. Flow graph.

● THERMOSTATIC PROPERTIES



Note: This test was carried out using a standard body. The initial Hot and Cold inlet pressures were 3 bar.

- A The cold water inlet pressure was dropped by 0.5 bar during this time.
- B After restoring the cold water pressure to 3 Bar the flow was halved.
- C After restoring the flow the cold water inlet water was shut off.



INVESTORS IN PEOPLE



ULTRA
FINISHING



Ultra Finishing Ltd, Widow Hill Road, Heasandford Industrial Estate, Burnley, Lancashire, BB10 2BQ
Tel: +44 (0)1282 436934, Fax: +44 (0)1282 418026, Website: www.ultra-group.co.uk