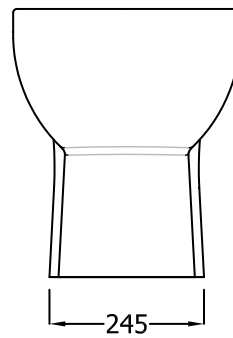
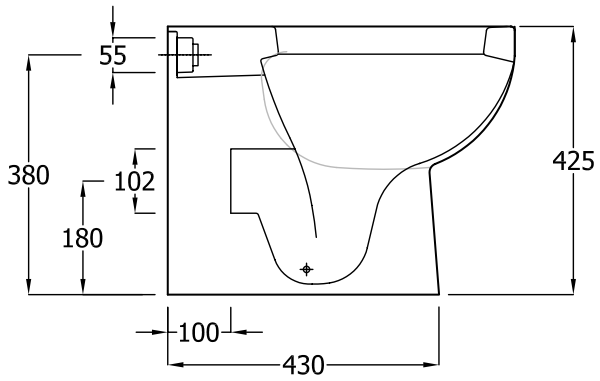
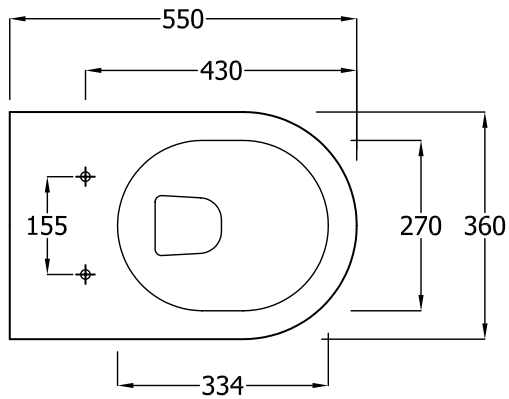


# LILY BTW PAN

[www.essentialfromideal.com](http://www.essentialfromideal.com)



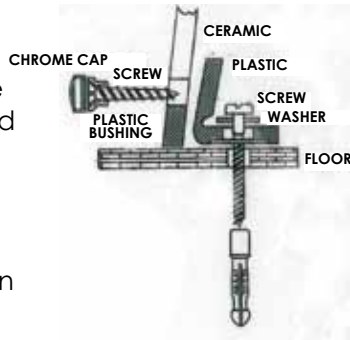
# WC fitting instructions : Lily BTW Pan

1) Fit flexible outlet by pushing onto the outlet spigot at back of pan

2) Measure width and depth of pan to fixing holes. Place plastic brackets on floor and mark screw holes

3) Drill 2 x 5.5mm holes and fit plugs. Use 2x5.5mm screws and metal washers to fasten brackets to floor

4) Sit wc pan against plastic brackets then fix into place using screw and plastic bushing then fit chrome plated covers over screw heads



WC fixing set

