

essential

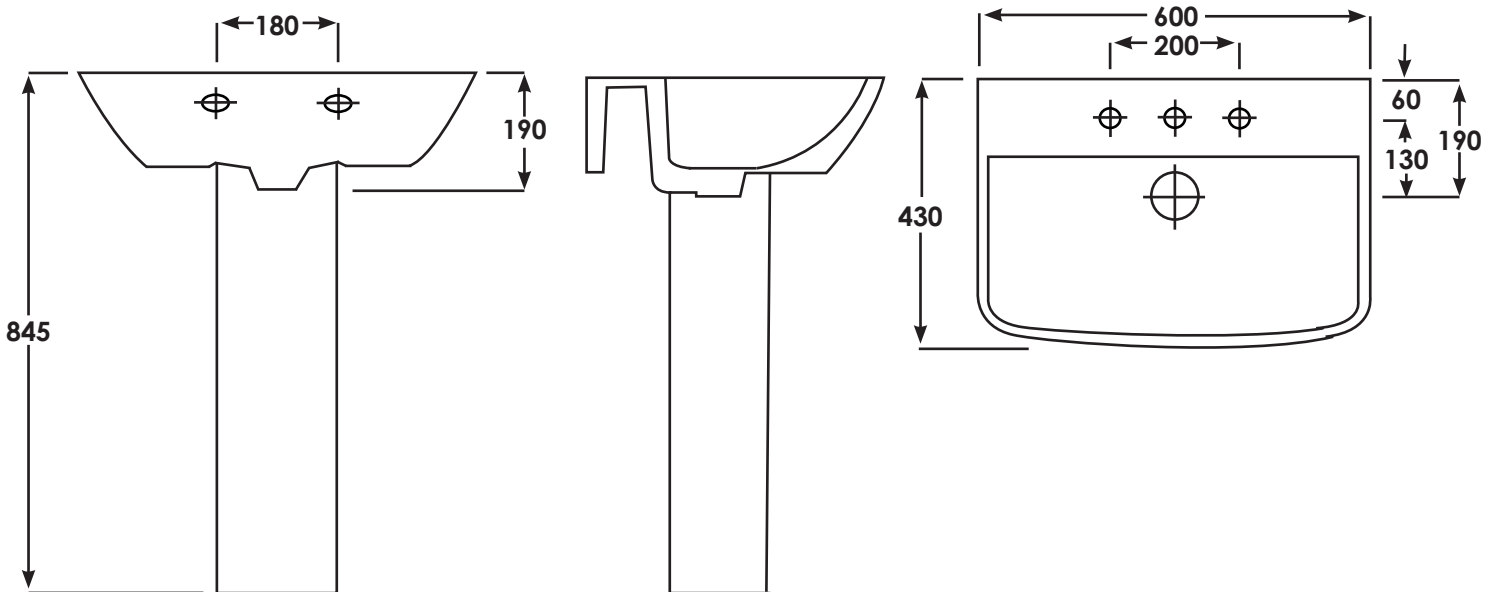
BATHROOMS

JASMINE

Jasmin 60cm Basin and Full Pedestal
EC5003 & EC5004

SPECIFICATION

| | |
|-----------|------------------------------------|
| SIZE | 600 x 430mm |
| TAP HOLE | Single tap hole |
| OVER FLOW | Over flow built in |
| MATERIAL | Vitreous China |
| WEIGHT | 29.50 kg |
| COLOURS | Alpine White |
| FIXING | Fisher fittings supplied for basin |



Dimensions: All measurements are in millimeters and are subject to normal manufacturing variations.

Note: Due to a continuing development programme to improve design and performance, the manufacturer reserves all rights to vary specifications without prior informations. Please note accessories are for photographic use only.

essential

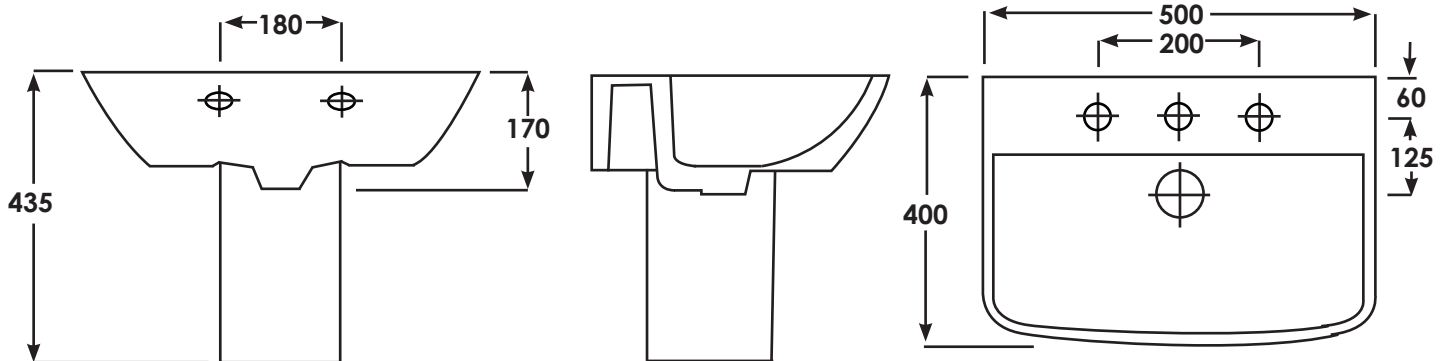
BATHROOMS

JASMINE

Jasmin 50cm Basin and Pedestal
EC5001 & EC5002

SPECIFICATION

| | |
|-----------|------------------------------------|
| SIZE | 500 x 400mm |
| TAP HOLE | Single tap hole |
| OVER FLOW | Over flow built in |
| MATERIAL | Vitreous China |
| WEIGHT | 25.50 kg |
| COLOURS | Alpine White |
| FIXING | Fisher fittings supplied for basin |



Dimensions: All measurements are in millimeters and are subject to normal manufacturing variations.

Note: Due to a continuing development programme to improve design and performance, the manufacturer reserves all rights to vary specifications without prior informations. Please note accessories are for photographic use only.

essential

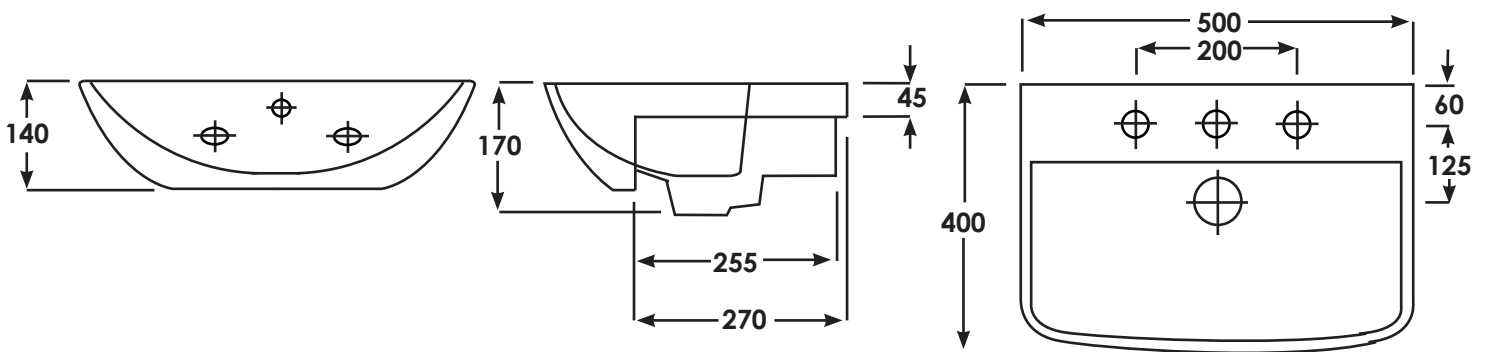
BATHROOMS

JASMINE

Jasmin 50cm Semi-Recessed Basin
EC5006

SPECIFICATION

| | |
|-----------|----------------------|
| SIZE | 500 x 400mm |
| TAP HOLE | Single tap hole |
| OVER FLOW | Over flow built in |
| MATERIAL | Vitreous China |
| WEIGHT | 14.00 kg |
| COLOURS | Alpine White |
| FIXING | Secure with silicone |



Dimensions: All measurements are in millimeters and are subject to normal manufacturing variations.

Note: Due to a continuing development programme to improve design and performance, the manufacturer reserves all rights to vary specifications without prior informations. Please note accessories are for photographic use only.

essential

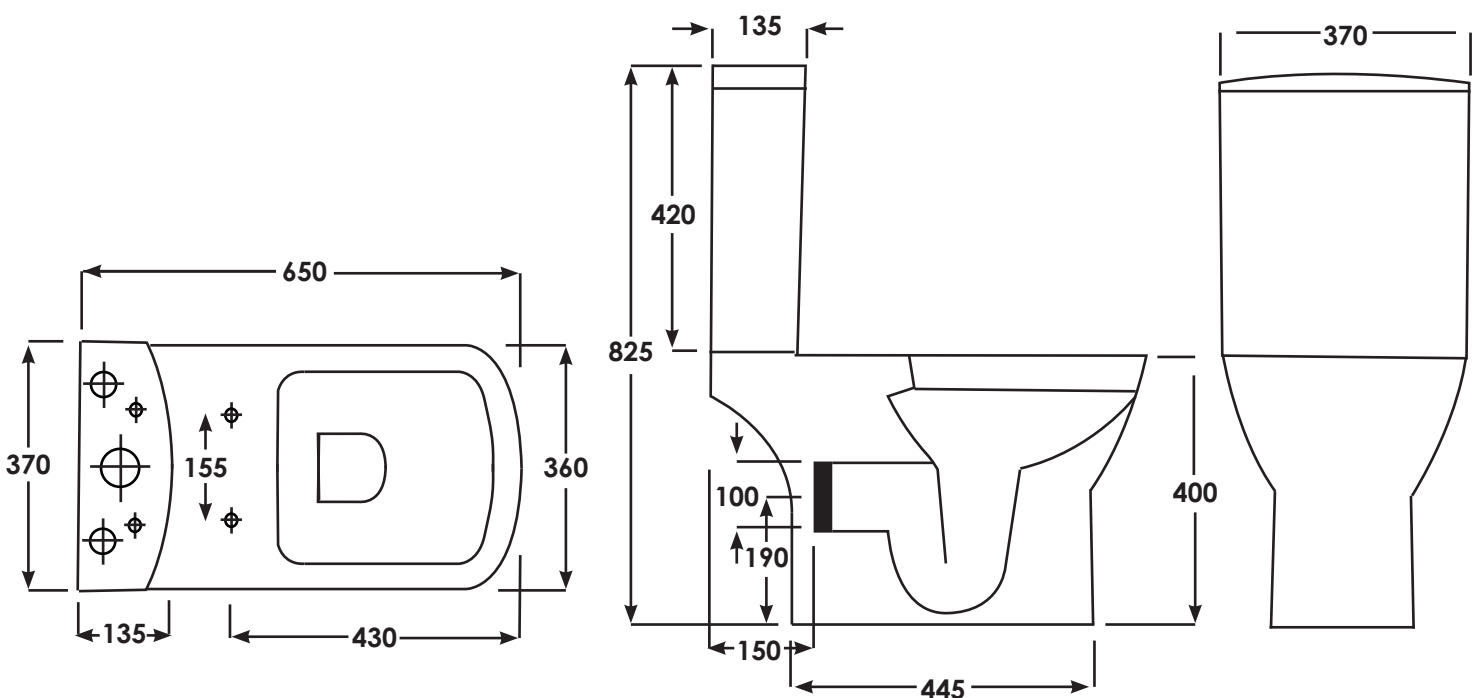
BATHROOMS

JASMINE

Jasmin Close Coupled WC Pan, Cistern & Seat
EC5007, EC5008 & EC5010

SPECIFICATION

| | |
|-----------------|---------------------------|
| SIZE | 650 x 360mm |
| TRAP | P Trap |
| SOFT CLOSE SEAT | With quick release hinges |
| CISTERN | Dual Flush 3/6 litres |
| APPROVALS | WRAS 1106050 |
| MATERIAL | Vitreous china |
| WEIGHT | 47.00 kg |
| COLOURS | Alpine White |
| FIXING | Pan fittings supplied |



Dimensions: All measurements are in millimeters and are subject to normal manufacturing variations.

Note: Due to a continuing development programme to improve design and performance, the manufacturer reserves all rights to vary specifications without prior information. Please note accessories are for photographic use only.

essential

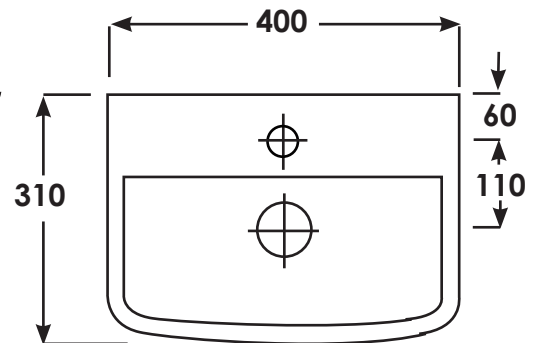
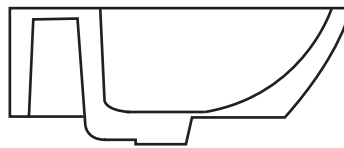
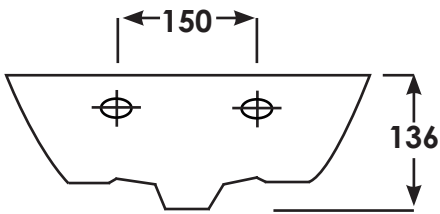
BATHROOMS

JASMINE

Jasmin 40cm Wall hung Basin
EC5005

SPECIFICATION

| | |
|-----------|------------------------------------|
| SIZE | 400 x 310mm |
| TAP HOLE | Single tap hole |
| OVER FLOW | Over flow built in |
| MATERIAL | Vitreous China |
| WEIGHT | 8.80 kg |
| COLOURS | Alpine White |
| FIXING | Fisher fittings supplied for basin |



Dimensions: All measurements are in millimeters and are subject to normal manufacturing variations.

Note: Due to a continuing development programme to improve design and performance, the manufacturer reserves all rights to vary specifications without prior informations. Please note accessories are for photographic use only.

essential

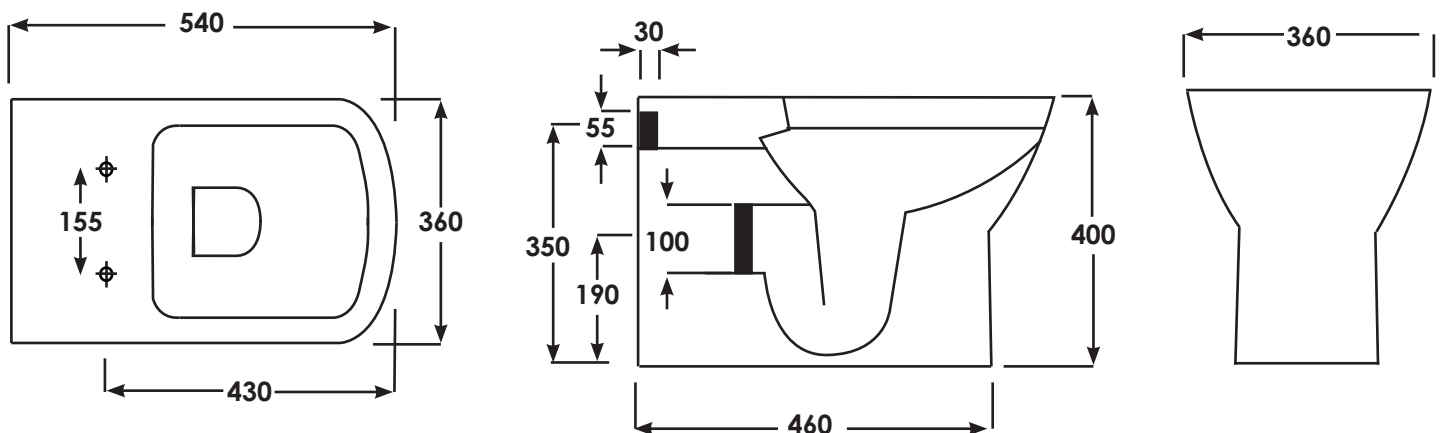
BATHROOMS

JASMINE

Jasmin Back-To-Wall WC Pan & Seat
EC5009 & EC5010

SPECIFICATION

| | |
|-----------------|---------------------------|
| SIZE | 540 x 360mm |
| TRAP | P Trap |
| SOFT CLOSE SEAT | With quick release hinges |
| CISTERN | Dual Flush 3/6 litres |
| APPROVALS | WRAS 1106051 |
| MATERIAL | Vitreous china |
| WEIGHT | 29.50 kg |
| COLOURS | AlpineWhite |
| FIXING | Pan fittings supplied |



Dimensions: All measurements are in millimeters and are subject to normal manufacturing variations.

Note: Due to a continuing development programme to improve design and performance, the manufacturer reserves all rights to vary specifications without prior informations. Please note accessories are for photographic use only.