

TECHNICAL DATASHEET



700 X 500mm STRAIGHT LADDER RAIL

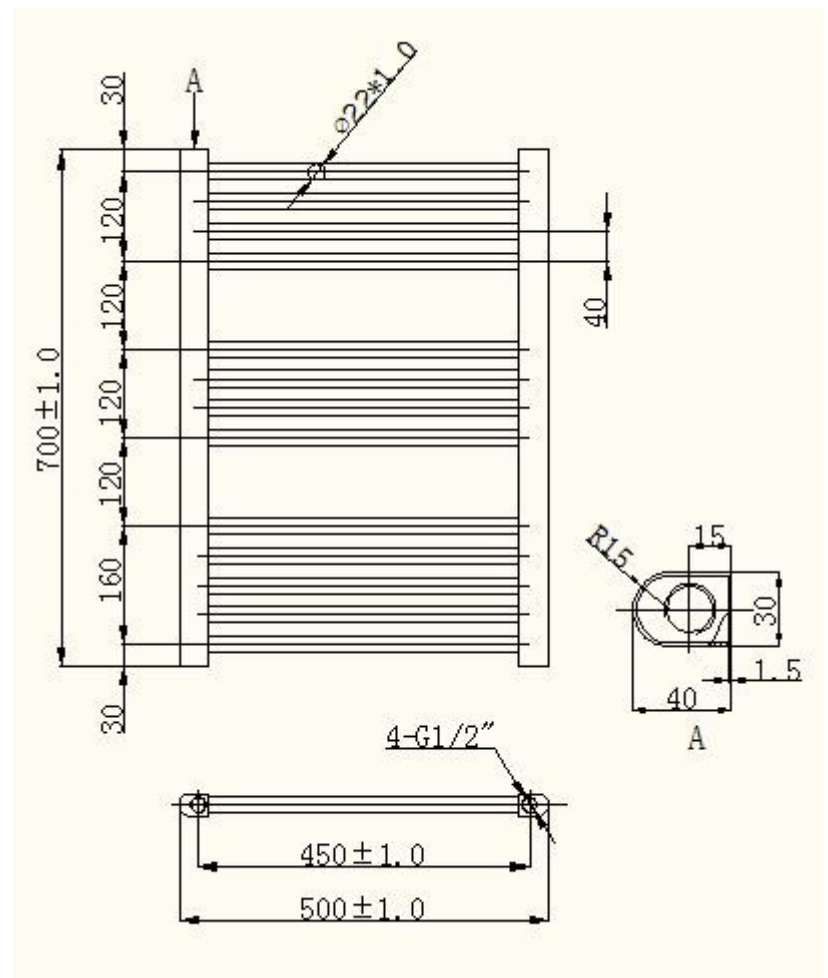
Product Code	MTY103	Barcode	5055369044108
Finish	ANTHRACITE	Ral No	7016
Product Type	DESIGNER RADIATOR		
Btu/hr output	1092 at 60 C		

Guarantee & Aftercare

During installation extra care must be taken to avoid damaging the fittings. We provide a 5 year guarantee against faulty workmanship or materials (excluding serviceable parts), providing they have been installed, cared for and used in accordance with our instructions.

ADDITIONAL INFORMATION

450mmWatts	320
Pipe centres	450mm
Max projection	80mm
Max height	700mm
Max width	500mm



CUSTOMER CARE: For further information please call 01282 446789