

KNEDLINGTON SHORT PROJECTION. WC PAN

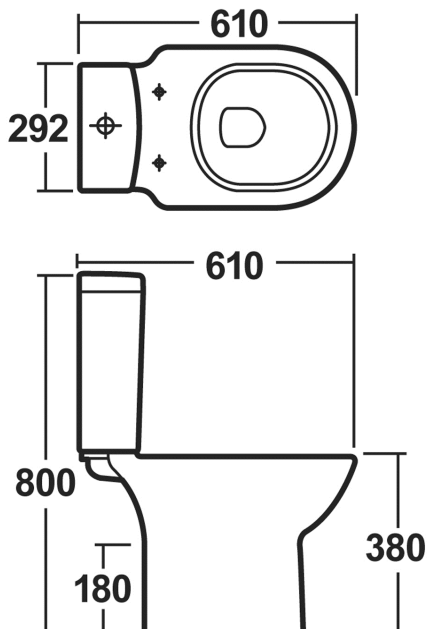
Barcode	5060272823092
Product Code	NCA370
Finishes	WHITE
Product Type	CERAMIC

Guarantee & Aftercare

During installation extra care must be taken to avoid damaging the fittings. We provide a 5 year guarantee against faulty workmanship or materials (excluding serviceable parts), providing they have been installed, cared for and used in accordance with our instructions.

ADDITIONAL INFORMATION—The WC pan complies with the following standards. (Image shows cistern and pan, no seat supplied).

- BS 3402: 1969: Specification for quality of vitreous china sanitary appliances
- BS EN 33 WC pans with close coupled cistern, connecting dimensions
- BS EN 997 WC pans with integral trap.
- Water supply regulations 1999



CUSTOMER CARE: For further information please call 01282 446789