

TECHNICAL DATASHEET



RENOIR SHORT PROJECTION FLUSH TO WALL PAN & S/C SEAT

Barcode	5055369063208/5055369063215
Product Code	NCB500/NCB699/CC1016
Finishes	WHITE
Product Type	CERAMIC
Requirement	Suitable for all plumbing systems

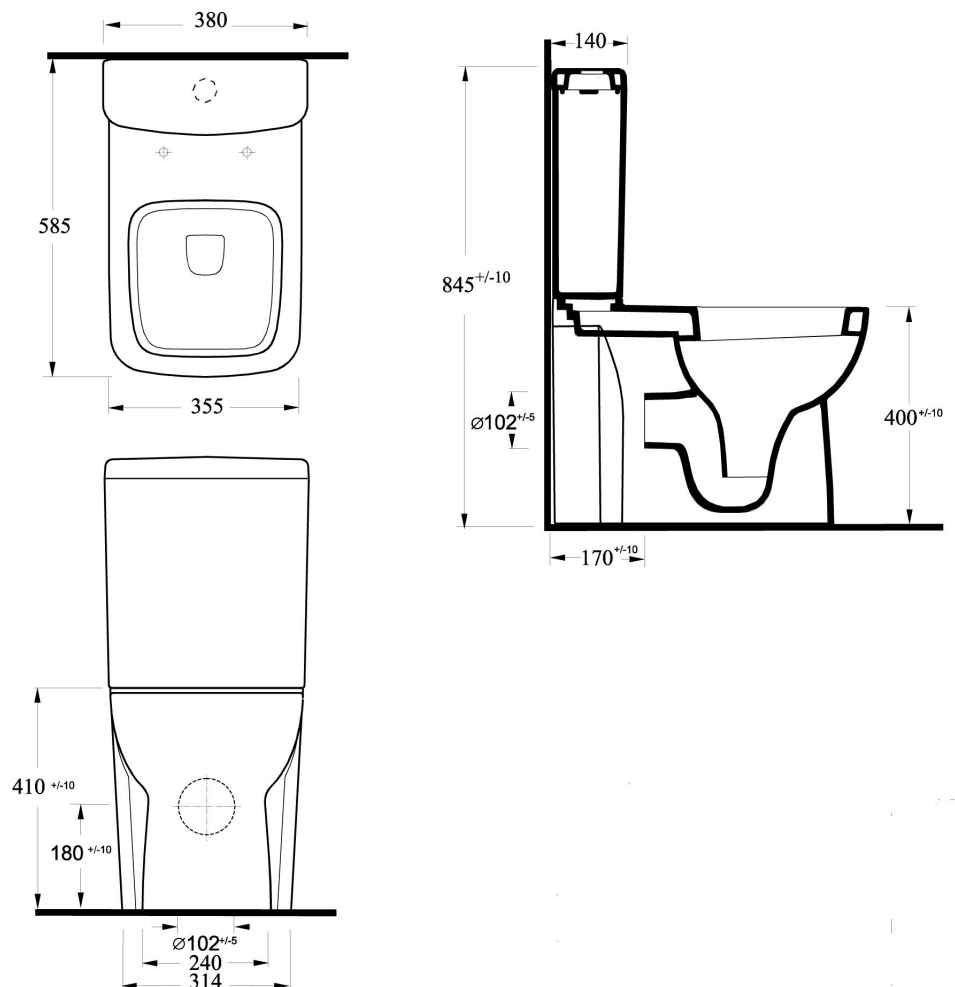


Guarantee & Aftercare

During installation extra care must be taken to avoid damaging the fittings. We provide a 5 year guarantee against faulty workmanship or materials (excluding serviceable parts), providing they have been installed, cared for and used in accordance with our instructions.

ADDITIONAL INFORMATION—The cistern & fittings comply with the following standards.

- BS 3402: 1969: Specification for quality of vitreous china sanitary appliances



CUSTOMER CARE: For further information please call 01282 446789