

# TECHNICAL DATASHEET



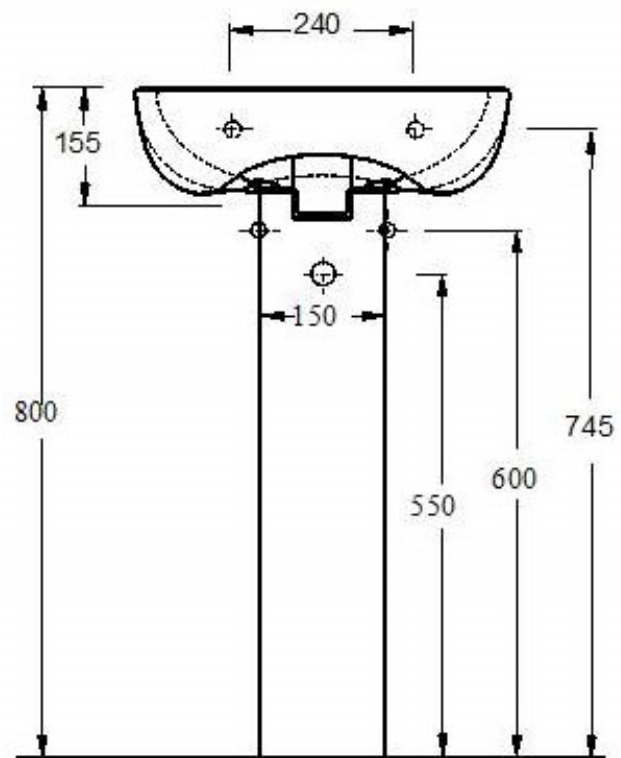
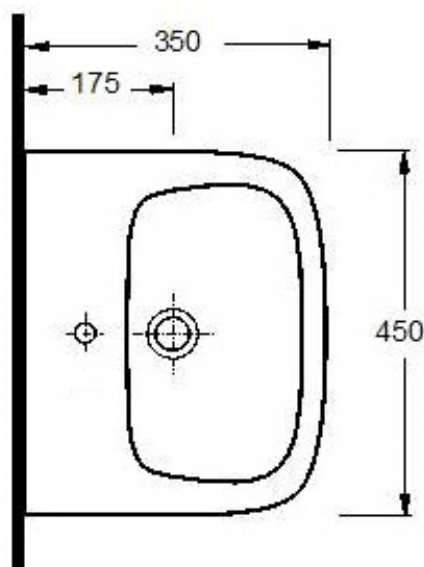
## RENOIR 450mm BASIN & FULL PEDESTAL

<b>Barcode</b>	5055369063239/5055369063246
<b>Product Code</b>	NCB502/NCB503
<b>Material</b>	VITREOUS CHINA
<b>Colour</b>	WHITE
<b>Taphole config.</b>	1 PRE-PUNCHED
<b>Waste size</b>	1 1/4"
<b>Guarantee</b>	5 YEARS



Height (mm)	Width (mm)	Depth (mm)	Weight (kg)
800	450	350	20.5

- BS 3402: 1969: Specification for quality of vitreous china sanitary appliances
- BS EN 31 Pedestal wash basins
- BS 1188:1974: Ceramic wash basins and pedestals
- Water supply regulations 1999



**CUSTOMER CARE:** For further information please call 01282 446789