

TECHNICAL DATASHEET



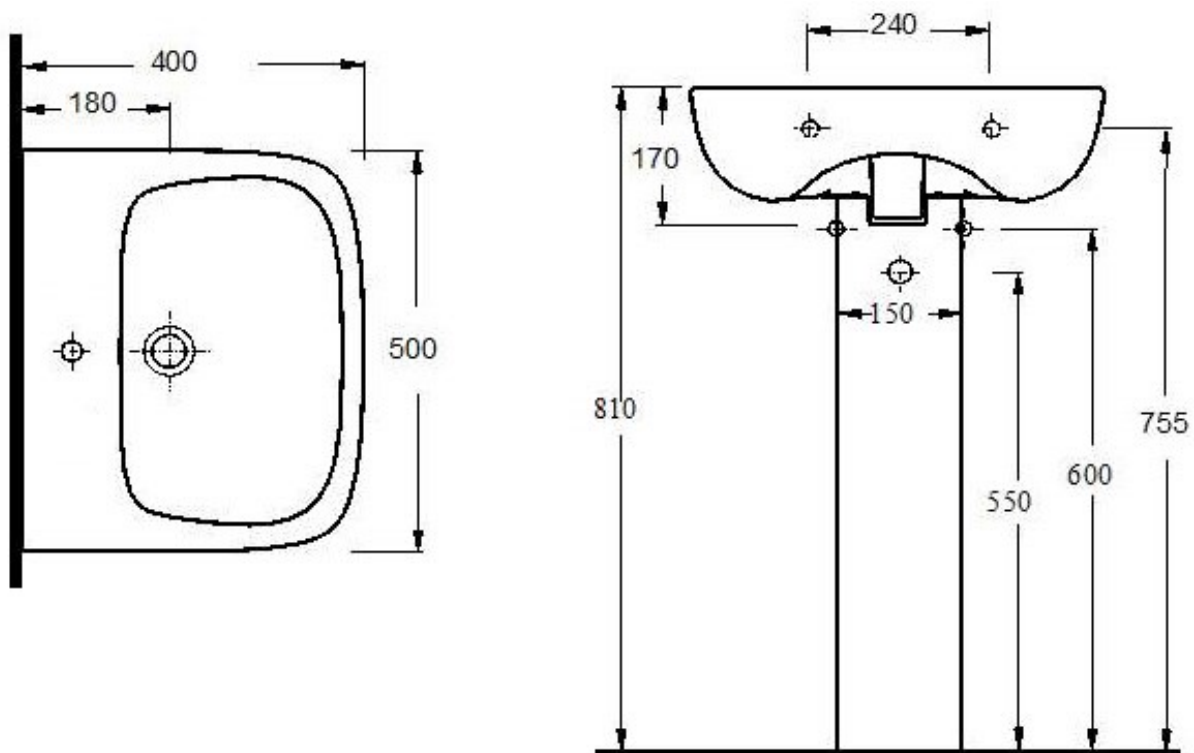
RENOIR 500mm BASIN & FULL PEDESTAL

Barcode	5055369063246/5055369063222
Product Code	NCB503/NCB522
Material	VITREOUS CHINA
Colour	WHITE
Taphole config.	1 PRE-PUNCHED
Waste size	1 1/4"
Guarantee	5 YEARS



Height (mm)	Width (mm)	Depth (mm)	Weight (kg)
810	500	400	22.5

- BS 3402: 1969: Specification for quality of vitreous china sanitary appliances
- BS EN 31 Pedestal wash basins
- BS 1188:1974: Ceramic wash basins and pedestals
- Water supply regulations 1999



CUSTOMER CARE: For further information please call 01282 446789