

CARLTON CISTERN & FITTINGS

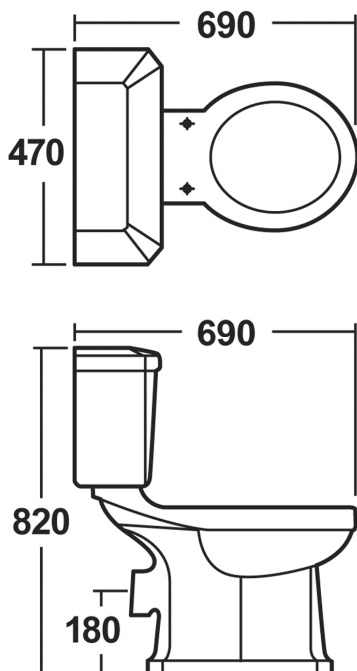
Barcode	5055369043194
Product Code	NCS881A
Finishes	WHITE
Product Type	CERAMIC

Guarantee & Aftercare

During installation extra care must be taken to avoid damaging the fittings. We provide a 5 year guarantee against faulty workmanship or materials (excluding serviceable parts), providing they have been installed, cared for and used in accordance with our instructions.

ADDITIONAL INFORMATION—The cistern & fittings comply with the following standards. (Image shows cistern and pan).

- BS 3402: 1969: Specification for quality of vitreous china sanitary appliances
- BS EN 33 WC pans with close coupled cistern, connecting dimensions
- The flush mechanism is WRAS approved.
- The dual flush button gives 4 and 6 litres respectively.



CUSTOMER CARE: For further information please call 01282 446789