

# TECHNICAL DATASHEET



## ROUND 350mm WALL MOUNTED BASIN

<b>Barcode</b>	5055369031061
<b>Product Code</b>	NCU932
<b>Finishes</b>	WHITE
<b>Product Type</b>	CERAMIC

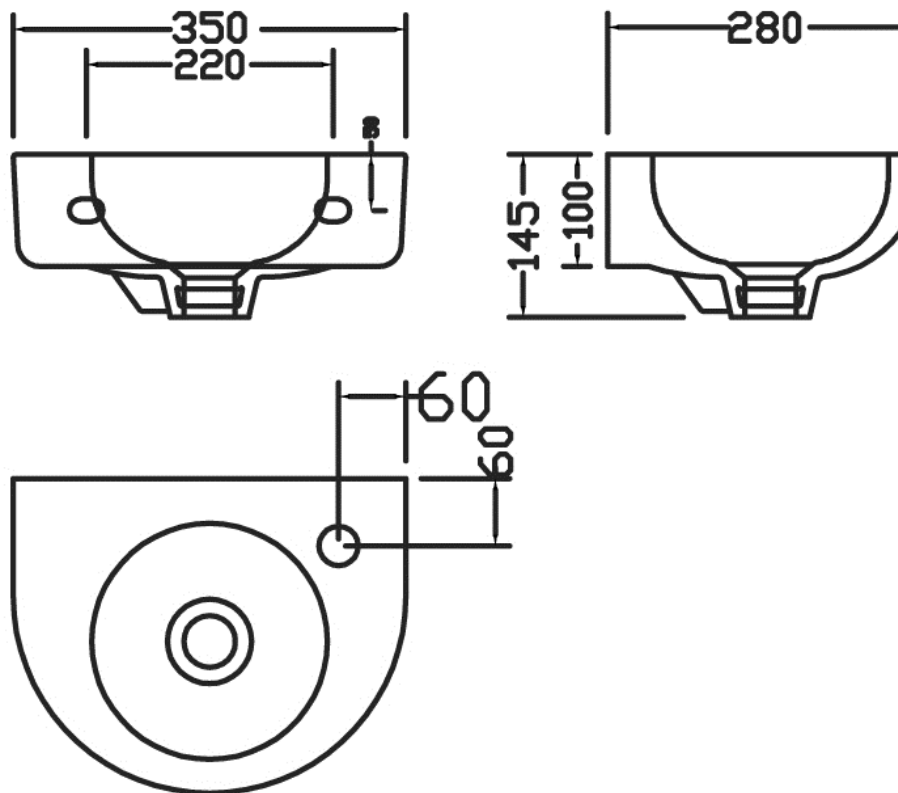


### Guarantee & Aftercare

During installation extra care must be taken to avoid damaging the fittings. We provide a 5 year guarantee against faulty workmanship or materials (excluding serviceable parts), providing they have been installed, cared for and used in accordance with our instructions.

### ADDITIONAL INFORMATION—The basin complies with the following standards.

- BS 3402: 1969: Specification for quality of vitreous china sanitary appliances
- Water supply regulations 1999



**CUSTOMER CARE:** For further information please call 01282 446789