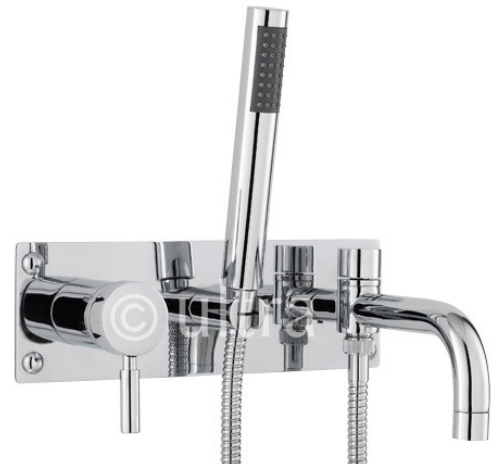


TECHNICAL DATASHEET



ROUND WALL MOUNTED BATH SHOWER MIXER

Barcode	5055146130239
Product Code	PK350
Finishes	Chrome
Product Type	Bath Mixer
Water Pressure	HP1 - 1 bar pressure minimum
Standards	Complies with BS5412, EN200
Requirement	Suitable for all plumbing systems

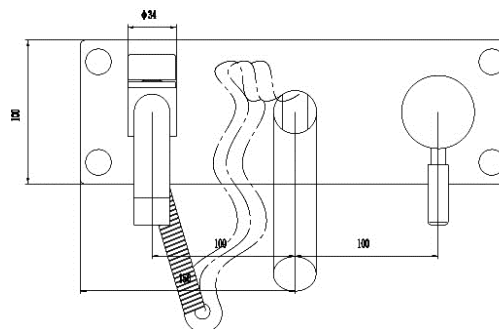
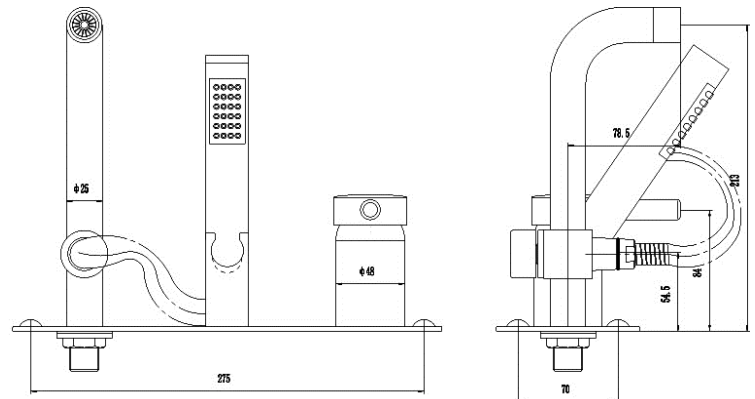


Guarantee & Aftercare

During installation extra care must be taken to avoid damaging the fittings. We provide a 10 year guarantee against faulty workmanship or materials (excluding serviceable parts), providing they have been installed, cared for and used in accordance with our instructions.

ADDITIONAL INFORMATION

Bar	Flow l/min
0.1	2.5
0.5	7
1	10
2	14.5
3	18



COMPLIANCE: Pending

CUSTOMER CARE:

For further information please call 01282 446789

KEY TO PRODUCT PRESSURE REQUIREMENTS

LP - 0.1 bar min LP2 - 0.2 bar min MP - 0.5 bar min HP1 - 1 bar min HP2 - 2 bar min