



## Acrylic Capped Stone Roman Trays

In its diverse range of footprints and gloss finish, the Roman Tray range perfectly complements our diverse range of shower enclosures to deliver something truly stunning and unique for every installation. The power shower approved, easy clean, 90mm rapid drain outlet works with the sleek lines of the tray, allowing up to 32 litres of water to be carried away per minute. Incorporating a 40mm profile, the Roman Tray when installed offers a small step into the shower enclosure. Manufactured from composite resin capped acrylic it is easy to install as it offers the option of flat to floor or raised on legs installation.



See next page for details

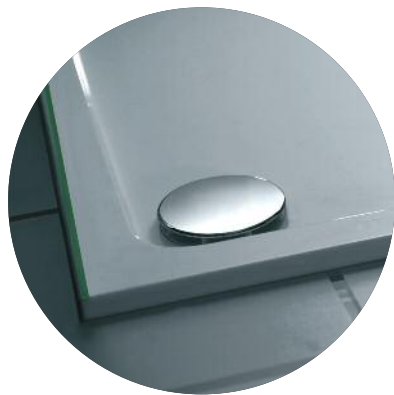
# Acrylic Capped Stone Roman Trays

The Roman Tray perfectly complements a diverse range of shower enclosures to present a unique and flawless look for every installation. The trays feature a gel coating displaying a sleek gloss finish. They are exceptionally easy to install as they offer the option of flat to floor or raised on legs installation.



## Specifications:

- Low profile - only 40mm in height
- Available with optional leg kits to create raised version
- Manufactured from a composite resin capped acrylic
- Gloss finish
- Height of panel kits 95mm
- 90mm Domed Waste included

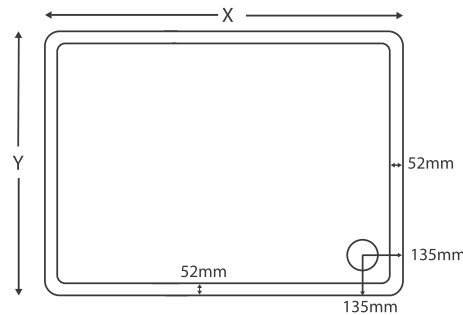
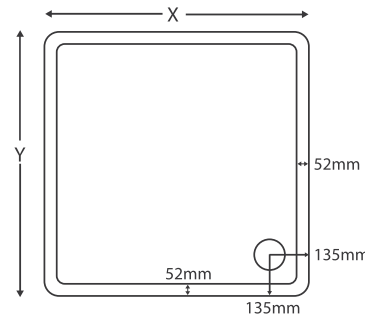


Chrome plated domed waste

Square



Rectangle



Riser Panel Kit shown with legs and front panel

Code	Size X                  Y	OPTIONAL Riser Panel Kit (see below)	£ ex vat	£ inc vat
------	------------------------------	--	----------	-----------

## Roman Square Tray

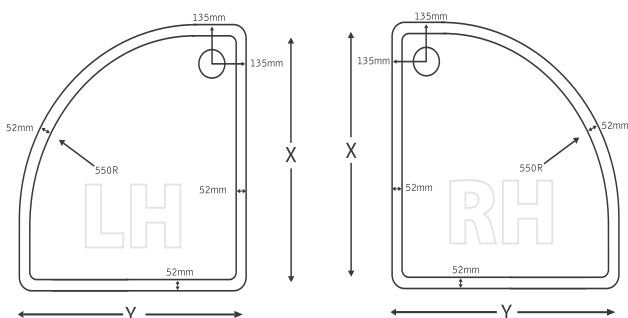
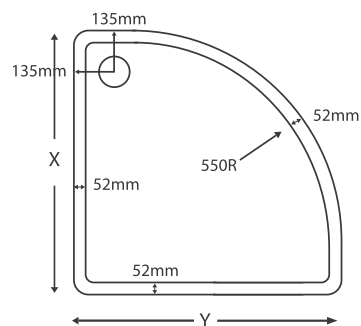
RLT76	760mm x 760mm	RTPK03	£108.00	£129.60
RLT80	800mm x 800mm	RTPK03	£125.00	£150.00
RLT90	900mm x 900mm	RTPK03	£170.00	£204.00
RLT100	1000mm x 1000mm	RTPK04	£270.00	£324.00

## Roman Rectangle Tray

RLT79	900mm x 760mm	RTPK03	£180.00	£216.00
RLT107	1000mm x 760mm	RTPK03	£185.00	£222.00
RLT108	1000mm x 800mm	RTPK03	£200.00	£240.00
RLT109	1000mm x 900mm	RTPK03	£205.00	£246.00
RLT118	1100mm x 800mm	RTPK03	£205.00	£246.00
RLT119	1100mm x 900mm	RTPK03	£205.00	£246.00
RLT127	1200mm x 760mm	RTPK03	£195.00	£234.00
RLT128	1200mm x 800mm	RTPK03	£195.00	£234.00
RLT129	1200mm x 900mm	RTPK03	£220.00	£264.00
RLT149	1400mm x 900mm	RTPK04	£315.00	£378.00
RLT158	1500mm x 800mm	RTPK04	£355.00	£426.00
RLT168	1600mm x 800mm	RTPK04	£390.00	£468.00
RLT178	1700mm x 800mm	RTPK04	£410.00	£492.00

RTPK03	1200mm Square / Rectangle Panel Kit + feet	£75.00	£90.00
RTPK04	1700mm Rectangle Panel Kit + feet	£75.00	£90.00

Quadrant



\* Left or right handing must be specified



## Roman Anti Slip

Roman Anti Slip Coating now available in a pack.

This kit allows for an anti-slip coating to be applied only on Acrylic Capped Roman Stone shower trays which will aid the prevention of slips and falls in wet & dry conditions.

This product confirms to BS7976-2:2002 achieving a low slip potential within wet conditions and conforms to DIN 51097 with a class C slip rating.

Independently UK tested and approved.

Code	Size	OPTIONAL Riser Panel Kit (see below)	£ ex vat	£ inc vat
	X Y			

### Roman Quadrant Tray

RLQ80	800mm x 800mm	RTPK01	£155.00	£186.00
RLQ89L*	900mm x 800mm LH	RTPK01	£190.00	£228.00
RLQ89R*	900mm x 800mm RH	RTPK01	£190.00	£228.00
RLQ90	900mm x 900mm	RTPK01	£190.00	£228.00
RLQ976L*	900mm x 760mm LH	RTPK02	£215.00	£258.00
RLQ976R*	900mm x 760mm RH	RTPK02	£215.00	£258.00
RLQ100	1000mm x 1000mm	RTPK01	£230.00	£276.00
RLQ108L*	1000mm x 800mm LH	RTPK02	£245.00	£294.00
RLQ108R*	1000mm x 800mm RH	RTPK02	£245.00	£294.00
RLQ128L*	1200mm x 800mm LH	RTPK02	£305.00	£366.00
RLQ128R*	1200mm x 800mm RH	RTPK02	£305.00	£366.00
RLQ129L*	1200mm x 900mm LH	RTPK02	£305.00	£366.00
RLQ129R*	1200mm x 900mm RH	RTPK02	£305.00	£366.00

RTPK01	Quadrant Panel Kit + feet	£75.00	£90.00
RTPK02	Off Set Quadrant Panel Kit + feet	£75.00	£90.00
RTW	Roman Tray Waste (90mm)	£30.00	£36.00

Code	Description	£ ex vat	£ inc vat
RTAS01	Anti Slip Coating Pack	£70.00	£84.00



#### Anti Slip Advantages:

- Added reassurance in wet showers
- Easy to apply
- Hygienic and low maintenance
- Resilient and durable
- Solvent free
- Colourless

#### Possible Areas of Use:

- Shower trays
- Retirement homes and nursing homes
- Clinics and rehabilitation facilities
- Only for use with Roman Acrylic Capped Stone Trays