

## TECHNICAL DATASHEET

### Square Twin Concealed Thermostatic Shower Valve C/W Diverter

<b>Barcode</b>	55055369051748
<b>Product Code</b>	SQR3207
<b>Finishes</b>	Chrome
<b>Product Type</b>	HP1 - 1 bar pressure minimum for Bath Fill MP - 0.5 bar pressure minimum for showering
<b>Water Pressure</b>	LP1 - 0.1 bar pressure minimum
<b>Standards</b>	EN200 and/or WRc/NSF
<b>Requirement</b>	Suitable for all plumbing systems



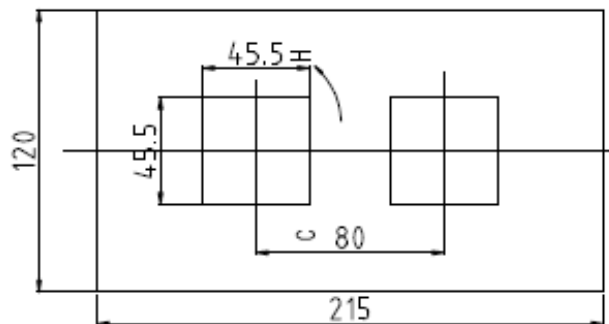
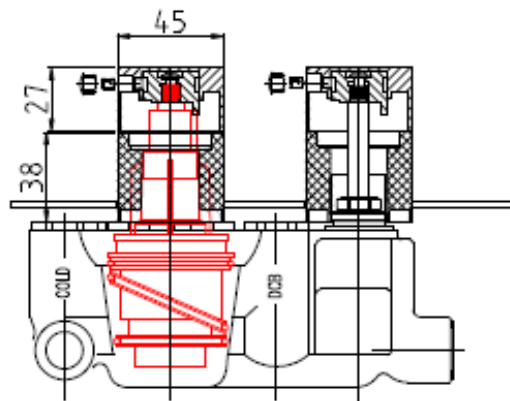
#### Guarantee & Aftercare

During installation extra care must be taken to avoid damaging the fittings. We provide a 20 year guarantee against faulty workmanship or materials (excluding serviceable parts), providing they have been installed, cared for and used in accordance with our instructions.

#### ADDITIONAL INFORMATION

- Can be fitted vertically or horizontally

Bar	Flow l/min
0.5	13
1	17
2	24
3	27



**COMPLIANCE:** Pending

**CUSTOMER CARE:** For further information please call 01282 446789

#### KEY TO PRODUCT PRESSURE REQUIREMENTS

LP - 0.1 bar min      LP2 - 0.2 bar min      MP - 0.5 bar min      HP1 - 1 bar min      HP2 - 2 bar min