

## Thermostatic Bar Valve Bottom Outlet

<b>Barcode</b>	5055369020058
<b>Product Code</b>	VBS001
<b>Finishes</b>	Chrome
<b>Product Type</b>	Thermostatic Shower Valve
<b>Water Pressure</b>	MP - 0.5 bar pressure minimum
<b>Standards</b>	EN200 and/or WRc/NSF

**Flowrates**

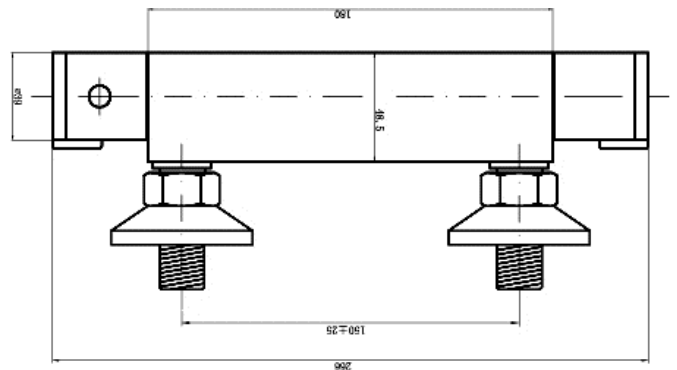
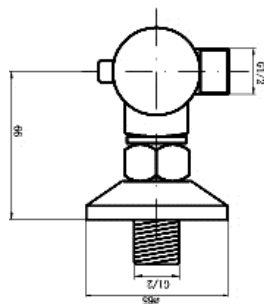
Bar	Flow l/min
0.1	1.5
0.5	5
1	8
2	11
3	14



**Requirement** Suitable for all plumbing systems

**Guarantee & Aftercare**

During installation extra care must be taken to avoid damaging the fittings. We provide a 5 year guarantee against faulty workmanship or materials (excluding serviceable parts), providing they have been installed, cared for and used in accordance with our instructions.



**COMPLIANCE:** Pending

**CUSTOMER CARE:**

For further information please call 01282 446789

**KEY TO PRODUCT PRESSURE REQUIREMENTS**

LP - 0.1 bar min      LP2 - 0.2 bar min      MP - 0.5 bar min      HP1 - 1 bar min      HP2 - 2 bar min