

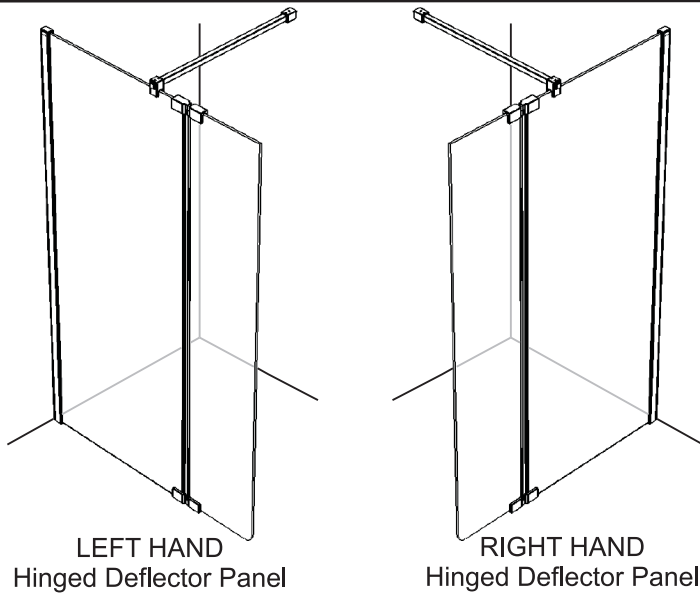
**Please read these instructions throughout before installing as incorrect fitting will invalidate the guarantee.**  
These instructions to be used in conjunction with the main installation instructions when installing the Hinged Deflector Panel with the enclosure from new. The Hinged Deflector Panel can also be retro-fitted to an existing Ultimate 2 enclosure.  
**If you are unsure about these instructions please contact Kudos Shower Products 01539 564040**

### IMPORTANT

Check appearance of all product - any defects must be reported to Kudos Shower Products before assembly/installation. Claims for imperfections will only be accepted prior to assembly/installation

Any claims made under the terms of the Lifetime Guarantee must be reported to Kudos within 21 days of the fault occurring

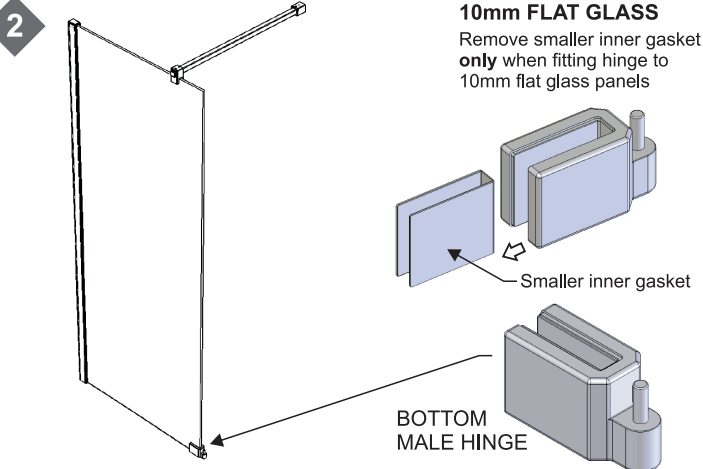
**Please note:** Curved deflector panels are available in 8mm thick glass only.



These instructions show fitting of left hand deflector panel, right hand deflector panel is mirror image of these.

### 1 MAIN GLASS PANEL

Clean main glass panel to ensure this is free of debris and grease. Panel must be thoroughly DRY before fitting deflector panel.



### FIT BOTTOM MALE HINGE

Ensuring screw faces to inside, fit bottom male hinge to bottom of main glass panel and fully tighten screw with 3mm allen key provided.

Hinge must be in contact with showertray / tiled floor and tight against edge of glass panel.

**THESE INSTRUCTIONS ARE TO BE LEFT WITH THE CONSUMER**

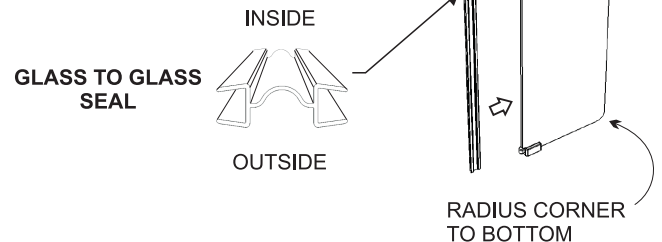
### PACK CONTENTS

Deflector Glass Panel with factory-fitted Female Hinges  
Top & Bottom Male Hinges (in box)  
Glass to Glass Seal  
3mm Allen Key (in box)

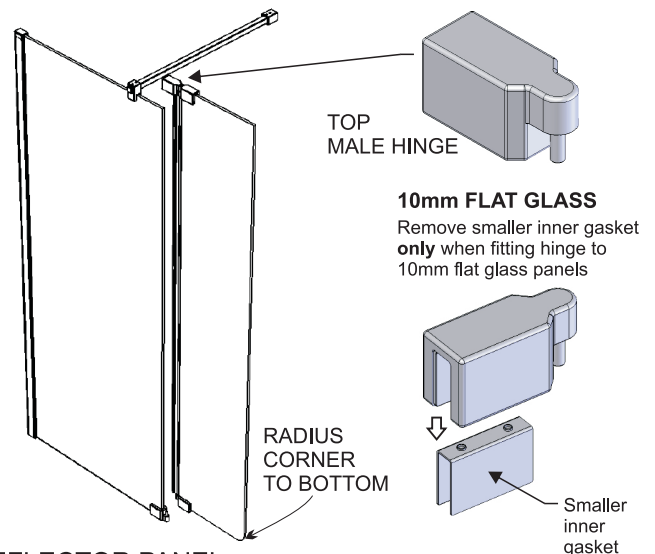
3

### FIT SEAL

Push fit glass to glass seal to edge of deflector panel glass, ensuring this is tight against bottom female hinge.



4



### FIT DEFLECTOR PANEL

With deflector panel upright, fit top male hinge into top female hinge. Carefully lift panel and engage bottom female hinge onto pin in the bottom male hinge. Slide top male hinge fully onto main glass panel and fully tighten screw using 3mm allen key.

5

Push fit seal onto edge of main glass panel.

**Notes:** For optimum performance, deflector panel must be angled to inside of showering area when in use.

Do not use deflector panel for hanging towels/ garments etc.

### CLEANING - general

Use only warm soapy water and damp cloth/ sponge on a regular basis. Do not use abrasive scouring powders, chemicals or aerosol cleaners - these may result in damage to the surfaces, in particular, the plated component parts.

### KUDOS LIFESHIELD GLASS TREATMENT

The Deflector Panel is pre-treated with Lifeshield on inside surface only.