

KUDOS

REFRESHING INNOVATION IN SHOWERS

ORIGINAL RANGE BI-SLIDER Installation Instructions

Please read these instructions before installing, as incorrect fitting will invalidate the guarantee. Carry out each stage before moving onto the next. **Do not dispose of packaging**, no claims for damaged or missing parts will be accepted if the packaging has been disposed of. If you are unsure about these instructions please contact Kudos Shower Products:
Customer Service Helpline: 01539 564040

TOOLS REQUIRED

- Flat-Headed Screwdriver
- Pozi-Drive Screwdriver
- Spirit Level
- Tape Measure
- Silicone Sealant
- 4mm & 2.5mm Allen Key (Supplied)
- Electric Drill
- 7mm Drill Bit (Masonry)

KEY STAGES

- Remove sliding door glass
- Remove the clip-in extrusions
- Position and level the frame work in situ
- Drill walls and fix frame work
- Fit the sliding door
- Check & Adjust sliding door
- Silicone seal the enclosure

IMPORTANT

Check appearance of shower enclosure - any defects must be reported to Kudos Shower Products before assembly/installation. Claims for imperfections will only be accepted prior to assembly/installation.

Any claims made under the terms of the Lifetime Guarantee must be reported to Kudos within 21 days of the fault occurring

Check the enclosure adjustment sizes are suitable for your installation

Ensure the top of shower tray is level **in all** directions

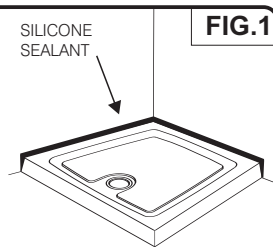
Prior to tiling any, gap or crevice between the rim of the tray and the wall must be filled with silicone sealant flush with the rim of the tray - **see Fig.1**

Waterproof the walls using ceramic tiles/shower panels etc. before installation of the shower enclosure

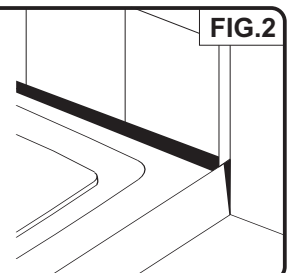
Fully seal between tiles/shower panels and the tray **BEFORE installing the enclosure - see Fig.2**

Use care when drilling into the walls to avoid hidden pipes or electric cables

Once the tray is installed but **before** the tiles are fitted any crevice between the tray and the walls **must** be filled with silicone sealant flush with the top of the tray.



Once the walls have been tiled but **before** the enclosure is installed, the tiles **must** be silicone sealed to the tray all of the way around in one continuous bead.



CLEANING

GENERAL - for the frame work and fixings use only warm soapy water and damp cloth/ sponge on a regular basis. After cleaning please rinse with clean water to remove any residue.

Do not use abrasive scouring powders, chemicals or aerosol cleaners - these may result in damage to the surfaces, in particular, the plated component parts. **See instruction below for glass cleaning advice.**

LIFESHIELD

Your Kudos Product is pre-treated with Life Shield on the inside surfaces only. While this makes cleaning the glass a lot easier and helps prevent the build up of harmful lime-scale and soap deposits the glass still needs to be maintained on a regular basis. We recommend the use of a detergent and aroma free glass cleaner (A 50/50 mix of Vinegar and Water works well!!!) Strong detergents and abrasives can damage the coating.

DO NOT use abrasive cleaners or abrasive scrubbing equipment for cleaning!!

DO use a squeegee to remove remaining droplets of water from glass after showering, any build up of residue can be removed easily using an appropriate cleaner and agitation from soft cleaning equipment

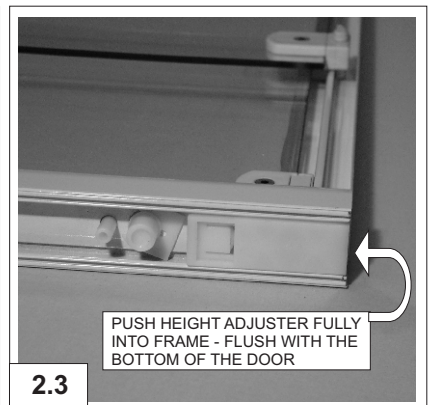
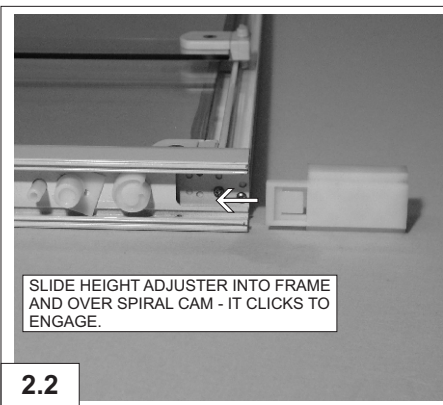
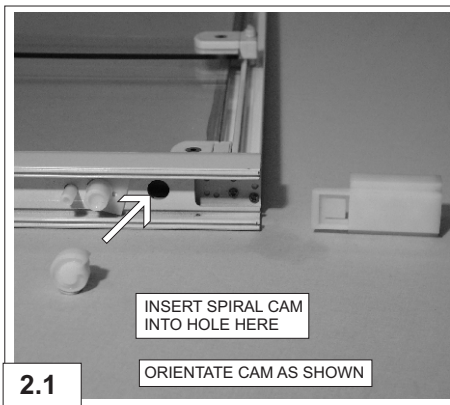
THESE INSTRUCTIONS TO BE LEFT WITH THE CUSTOMER

IMPORTANT

If you are installing a side panel together with this door, please read these instructions in conjunction with the instructions for the side panel provided in the side panel packing.

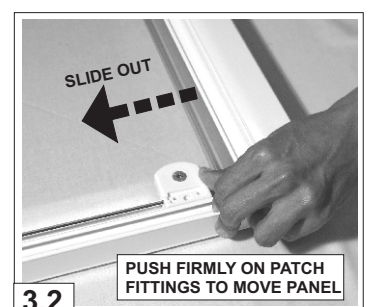
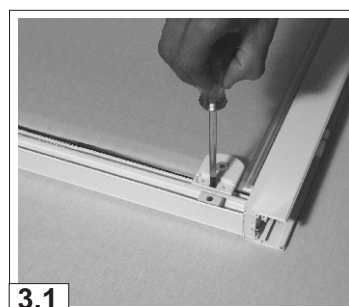
BEFORE CARRYING OUT THESE INSTALLATION INSTRUCTIONS PLEASE DECIDE THE HANDING OF THE DOOR, IF YOU NEED TO CHANGE THE HANDING READ THROUGH THE SUPPLEMENTARY INSTRUCTIONS FIRST

- 1 Turn the door over on the protective surface, with the inside face of the door facing upwards. Insert height adjusters into bottom of compensating channel / wall frames at bottom of door as shown in *fig. 2.1, 2.2 & 2.3*. First insert spiral cam as shown in *fig.2.1* into both lower sides of frame, next slide height adjuster into both sides of frame and over spiral cam *fig.2.2* ensure height adjuster "clicks" into spiral cam as it engages and is fully inserted *fig. 2.3*

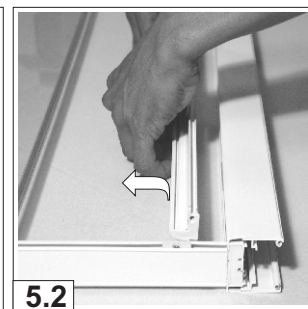
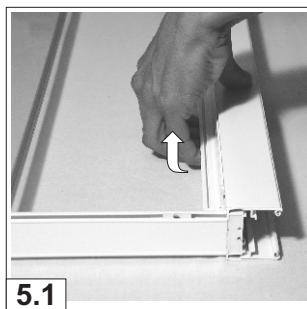
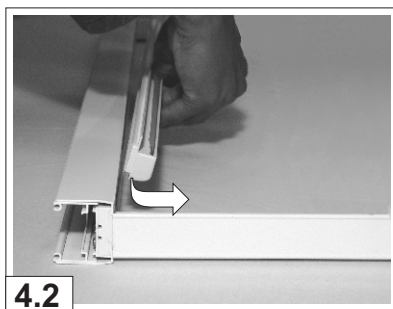
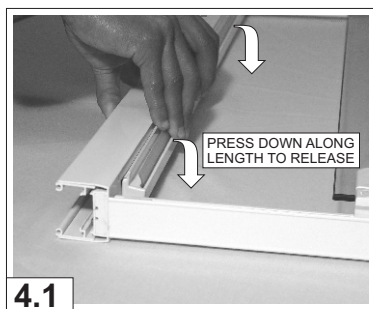


- 2 Remove the sliding door glass from the unit. To do this first un clip the patch fittings from the bottom rail. Then undo the allen key screw securing the top wheeled units to the glass using the 4mm Allen key provided. Once the Allen screws are removed carefully lift the glass up and away from the frame, taking care not to knock any exposed edges. Do not stand directly onto a tiled floor, we recommend the use of a towel to stand the glass onto. Remove the wheeled units from the top rail by lifting out and keep safe.
- 3 Remove the screws that secure the four patch fittings of the fixed panel to the door rails, at the top and bottom of the door. *Fig. 3.1*. Slide the fixed panel towards the centre of the frame away from the wall post - ensure the rigid gasket on the edge of the glass remains securely clipped onto the glass edge. *Fig. 3.2*

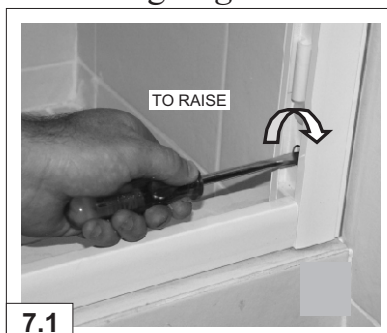
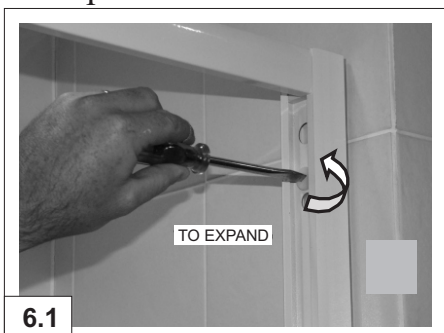
Using 2.5mm allen key, loosen grub screws in stop blocks in the top and bottom rails and move towards the fixed panel wall post.



- ④ Remove the clip in extrusion from the inside face of door frame on handle side by pressing down along entire length as shown in *Fig. 4.1* then lifting away and out as shown in *Fig. 4.2*

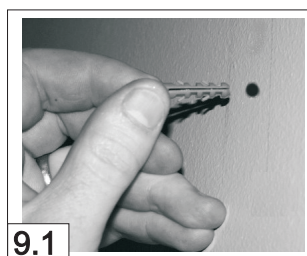
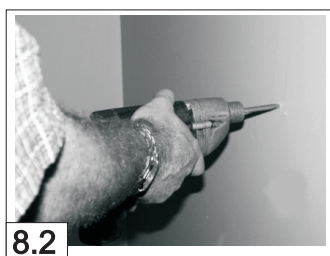


- ⑤ Remove the clip in extrusion from the inside face of door frame on fixed panel side by lifting up along entire length as shown in *Fig. 5.1* then lifting away and out as shown in *Fig. 5.2*
- ⑥ Trim the excess lengths off wall post bubble seals (x4) Carefully offer frame into opening and expand door width equally on both sides by turning the nylon adjustment screws - 3 at each side of the door - in an anti-clockwise direction. Only tighten until door is lightly wedged in position. *Fig. 6.1*



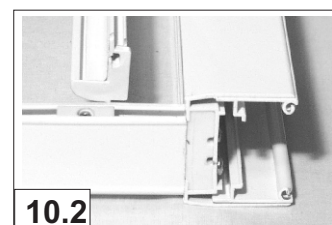
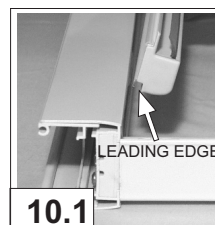
- ⑦ Set door level on tray by turning relevant height adjuster screw (clockwise to raise) if necessary. Use a spirit level to ensure accurate levelling. *Fig. 7.1 and 7.2*

- ⑧ Mark holes through wall frame of door - 3 each side. Remove door and drill holes in wall using 7mm masonry drill bit *Fig.8.2* Useful tip: For accuracy, to mark holes through wall frames, dip a drill bit in shoe polish and "spot" the position through the wall frame mouldings. *Fig. 8.1*

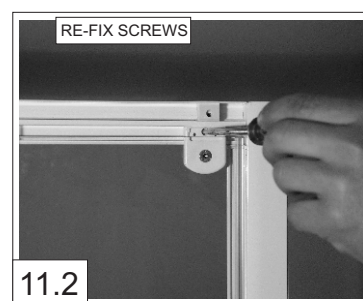
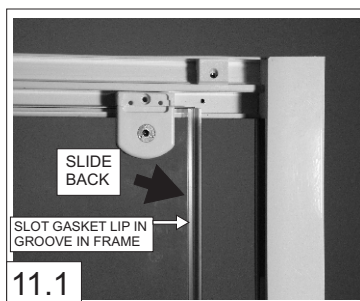


- ⑨ Insert wall plugs provided or fixings to suit the construction of your walls (below tiles to avoid cracking) *Fig.9.1* and offer door into position. Check the door frame is level, vertical and square on all sides of the opening, checking to ensure the door is not leaning forward or backwards in the opening. *Fig. 9.2*. Frame **MUST NOT** be twisted or buckled when fitting. Adjust the door ensuring frame is vertical using the adjustment screws as per stage 6. and GENTLY tighten frame into opening ensuring sides of door frame are not distorted by over-tightening. Fix door using 6 x No.8 Panhead 60mm screws provided. The middle screws may now be adjusted to assist in plumbing the door frame. Be sure not to over tighten the middle screws (finger tighten only) as this may cause "bowing" of the wall posts.

- ⑩ Re-fit clip-in extrusions, which were removed in stages 4 & 5. Ensure the correct Clip-in extrusion is re-inserted in its correct side. Do make sure the leading edge is properly located along full height before pressing the Clip-in extrusion into the door frame, it will not locate properly if twisted. *Fig. 10.1* shows the handle side and *Fig. 10.2* shows the fixed panel side.

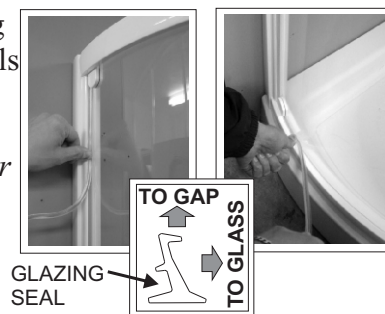


- 11 Slide fixed panel back to its original position before stage 3. Ensure the rigid gasket on the glass edge slots into the groove along the clip in extrusion (failure to do so may result in leaks). Screw patches to frame with 4 screws removed in stage 3 and fit screw cover caps. *Fig. 11.1 & Fig. 11.2*



FIT GLAZING SEALS to fixed panel glass on outside of unit. Insert long length between clip-in extrusion and glass. Insert short lengths between rails and glass at top and bottom, in-between patch fittings.

- TIP** *If tight, lubricate seals with water. Do not stretch seals when inserting-after cutting, the seals will shrink and leave a gap.*



- 12 **CHECK HANDING OF SLIDING DOOR**- Stand door upright so that the lever patch fittings are at the bottom and the outside face of door is facing you. If the door handle is on the correct side to suit your installation, proceed to next stage. **If not**, simply remove lever patch fittings and plastic seal from bottom of door and re-fit these to top of door (levers to point to centre of door). Turn door upside-down to complete.

- TIP** *Slide door stop-blocks to fixed panel wallpost before carrying out next stage.*

- 13 **FIT SLIDING DOOR**, hang the wheeled patches in the top rail, carefully feed sliding door through opening and fit door to 'roller' patch fittings using inner covers and screws. Ensure shoulders of patch fittings are tight against top edge of door.

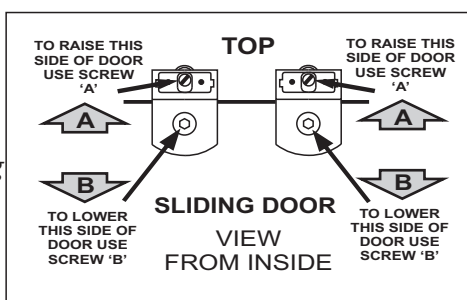
- TIP** *If working alone, have allen key, 'roller' patch inner covers and screws on your person before fitting sliding door. Use foot to support door when fitting.*

- 14 **LUBRICATE BOTTOM RAIL**, apply vaseline/lubricant spray to running channel on bottom rail.

- 15 **ENGAGE BOTTOM LEVERS**, with levers constantly pressed down, engage into bottom rail and slide door from side to side. If sliding tight, lower relevant lever patch fitting on door glass, re-tighten screw, until patches slide free.

**PLEASE ENSURE THAT AFTER ADJUSTMENT
ALL SCREWS ARE FULLY TIGHTENED**

- 16 Adjust the hanging of the door so that the closing edge of the glass meets the closing seal evenly over its entire height. Please see the guide to adjustments *Fig 12.1* Gain access to screw "A" by removing the top patch cover *Fig 12.2*.



- 17 Using 2.5mm allen key, position and fix door stops in top and bottom frame to prevent the sliding door banging into the wall frame

- 18 Silicone seal the Vertical wall posts to the tiles on the inside and the outside, then silicone seal the enclosure to the tray on **Outside Only**

Do not silicone seal on the inside of unit.

Sealing the wallposts & sills to the tray on the inside can result in leakage problems- please note that, in use, water can penetrate into the frame extrusions- *this has no detrimental effect to the product*- however, this water must be allowed to drain out of the extrusions to the inside.

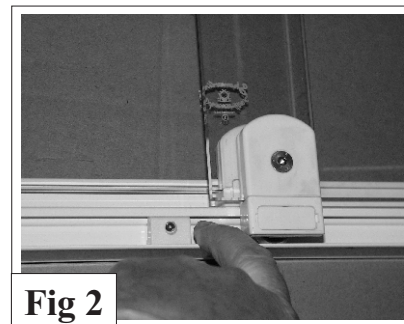
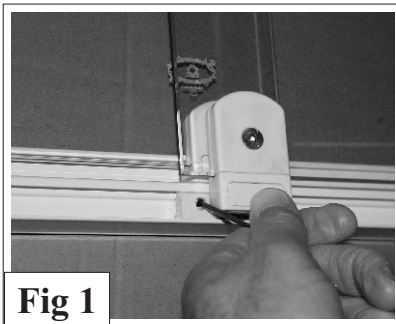


Handing the Door

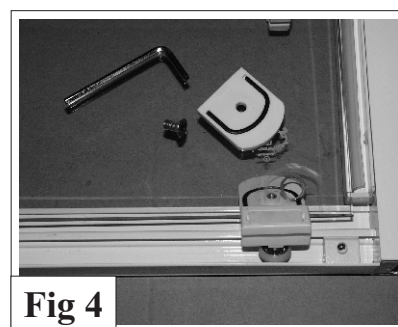
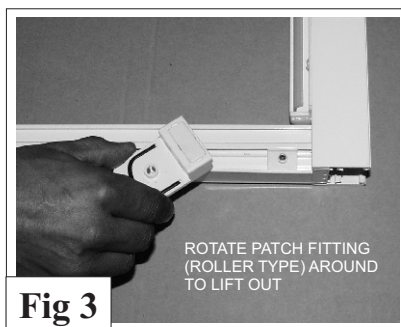
These instructions are for the purpose of changing the side from which the door will open should this be required. In which case they should be followed before proceeding with the installation instructions. If you do not require to change the opening side to the opposite side please ignore these instructions and refer directly to the installation instructions

Please note: to change the 'handing' of the door requires the two pairs of patch fittings on sliding door (one pair has rollers and one pair has levers), to be swapped around.

- 1 Lay the door on a protective surface with the inside facing upwards. Using 2.5mm allen key supplied, loosen grub screws in door stops in the top and bottom rails and slide these towards the wall frames. *Figs 1 & 2.*



- 2 Using 4mm allen key supplied, undo 4 screws on sliding door and remove the patch-fitting inner covers.
- 3 Carefully lift out sliding door glass and place to one side. Remove rigid seal at one end of door glass and refit centrally at opposite end.
- 4 Remove patch fittings (roller type), from rail channel by rotating these around and lifting out. Refit these in corresponding rail channel at opposite end of door. *Fig. 3*
- 5 Remove patch fittings (lever type), from rail channel by pressing down on levers and lifting out. Refit these in corresponding rail channel at opposite end of door.



- 6 Now refer back to the main installation instructions and install the height adjustment blocks

KUDOS

REFRESHING INNOVATION IN SHOWERS

ORIGINAL RANGE 1400/1500/1700 BI-SLIDER Installation Instructions

Please read these instructions before installing, as incorrect fitting will invalidate the guarantee. Carry out each stage before moving onto the next. **Do not dispose of packaging**, no claims for damaged or missing parts will be accepted if the packaging has been disposed of. If you are unsure about these instructions please contact Kudos Shower Products:
Customer Service Helpline: 01539 564040

TOOLS REQUIRED

- Flat-Headed Screwdriver
- Pozi-Drive Screwdriver
- Spirit Level
- Tape Measure
- Silicone Sealant
- 4mm & 2.5mm Allen Key (Supplied)
- Electric Drill
- 7mm Drill Bit (Masonry)

KEY STAGES

- Decide handing of the door
- Assemble the frame work
- Remove the clip -in extrusions
- Position and level the frame work in situ
- Drill walls and fix frame work
- Fit the fixed panel
- Fit the sliding door
- Silicone seal the enclosure

IMPORTANT

Check appearance of shower enclosure - any defects must be reported to Kudos Shower Products before assembly/installation. Claims for imperfections will only be accepted prior to assembly/installation

Any claims made under the terms of the Lifetime Guarantee must be reported to Kudos within 21 days of the fault occurring

Check the enclosure adjustment sizes are suitable for your installation

Ensure the top of shower tray is level in all directions

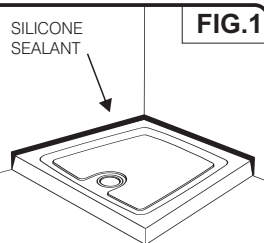
Prior to tiling, any gap or crevice between the rim of the tray and the wall must be filled with silicone sealant flush with the rim of the tray - *see Fig.1*

Waterproof the walls using ceramic tiles/shower panels etc. before installation of the shower enclosure

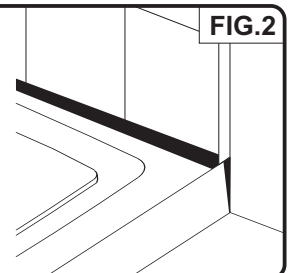
Fully seal between tiles/shower panels and the tray **BEFORE installing the enclosure** - *see Fig.2*

Use care when drilling into the walls to avoid hidden pipes or electric cables

Once the tray is installed but **before** the tiles are fitted any crevice between the tray and the walls **must** be filled with silicone sealant flush with the top of the tray.



Once the walls have been tiled but **before** the enclosure is installed, the tiles **must** be silicone sealed to the tray all of the way around in one continuous bead.



CLEANING

GENERAL - for the frame work and fixings use only warm soapy water and damp cloth/ sponge on a regular basis. After cleaning please rinse with clean water to remove any residue.

Do not use abrasive scouring powders, chemicals or aerosol cleaners - these may result in damage to the surfaces, in particular, the plated component parts. **See instruction below for glass cleaning advice.**

LIFESHIELD

Your Kudos Product is pre-treated with Life Shield on the inside surfaces only. While this makes cleaning the glass a lot easier and helps prevent the build up of harmful lime-scale and soap deposits the glass still needs to be maintained on a regular basis. We recommend the use of a detergent and aroma free glass cleaner (A 50/50 mix of Vinegar and Water works well!!) Strong detergents and abrasives can damage the coating.

DO NOT use abrasive cleaners or abrasive scrubbing equipment for cleaning!!

DO use a squeegee to remove remaining droplets of water from glass after showering, any build up of residue can be removed easily using an appropriate cleaner and agitation from soft cleaning equipment

THESE INSTRUCTIONS TO BE LEFT WITH THE CUSTOMER

1 BEFORE BEGINNING THIS INSTALLATION PLEASE:

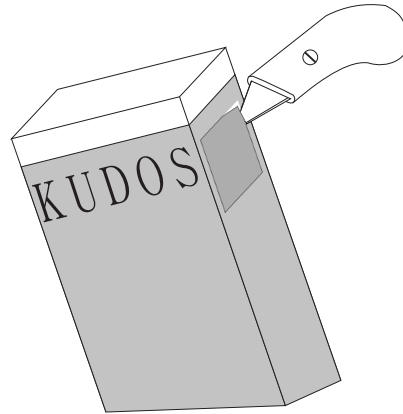
- Ensure you have read and understood these instructions
- Check that the tray has been silicone sealed as instructed
- Check all of the frame work and glass for visible signs of damage
- Decide on the handing of the shower enclosure
- Check that the enclosure is of the correct size to suit the installation
- Be sure that you have all the required tools to complete the job

If you need to report a fault you must do so BEFORE installation.

If there is anything you are not sure about then please call the Kudos Helpline

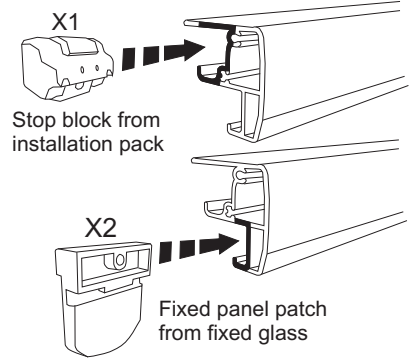
2

Cut out each end of the end wraps where shown. These will help with the assembly of the enclosure. If you have help then these may not be necessary.



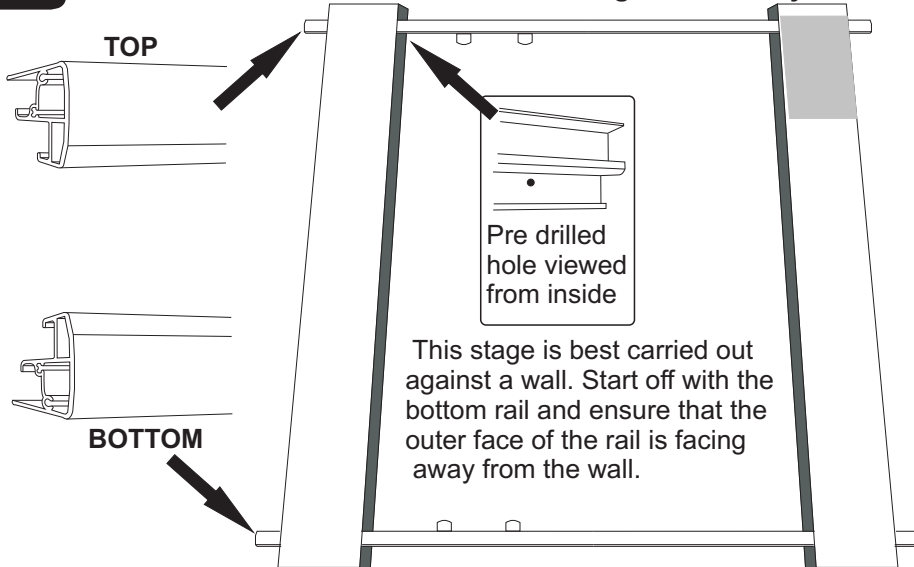
3

Remove the fixed panel patches from the fixed glass (glass without handle) by removing the allen key screws. Keep the inner patch covers safe. Slide x1 Stop Block into each rail as shown, and then x2 Fixed Panel Patches into each rail as shown. You do not need to secure these fixings into the rail at this stage.



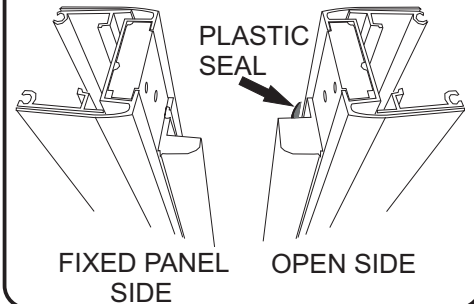
4

To help with assembly insert the rails into end wraps as shown. The rails are handed, the fixed panel end can be identified by the pre drilled hole at the end. These instructions show a **Right Hand Entry**



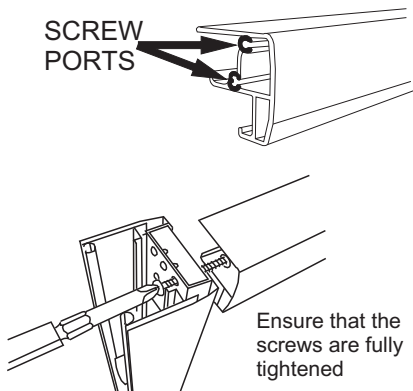
5

Identify both wall posts. The wall post with the plastic flipper seal as shown will be the opening side of the enclosure, the one without the seal will be the fixed panel side. Please ensure that the wall post **without** the flipper seal is to go to the end of the rails with the pre drilled hole as shown in stage 4.



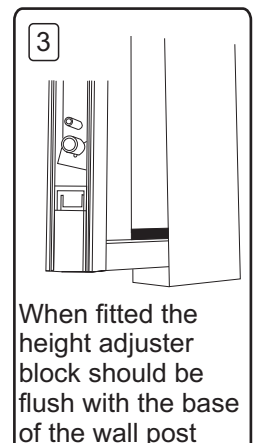
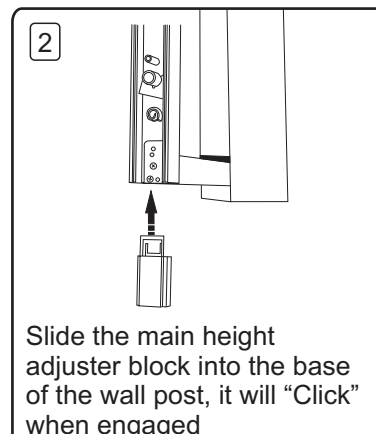
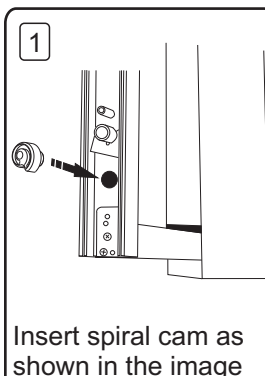
6

Secure the wall posts to the rails using the X8 No.6x30PH screws from the screw Assembly Pack. Please ensure that each screw locates into the relevant screw port in the rail as shown. We recommend that you start with the top rail.

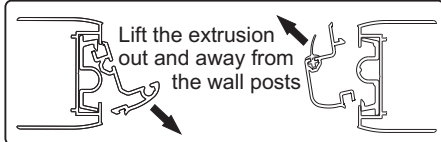
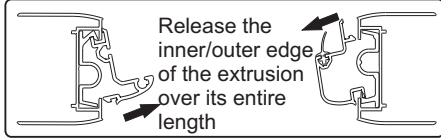
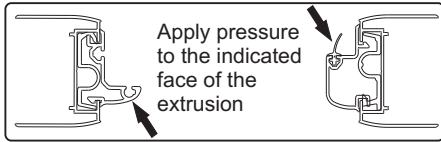


7

Insert the height adjustment blocks into the base of the wall posts as shown. You will need to lift the wall post slightly to allow space to fit the height adjustment block.



8 Carefully tear off the side wraps and discard. Then remove the extrusions as shown below.

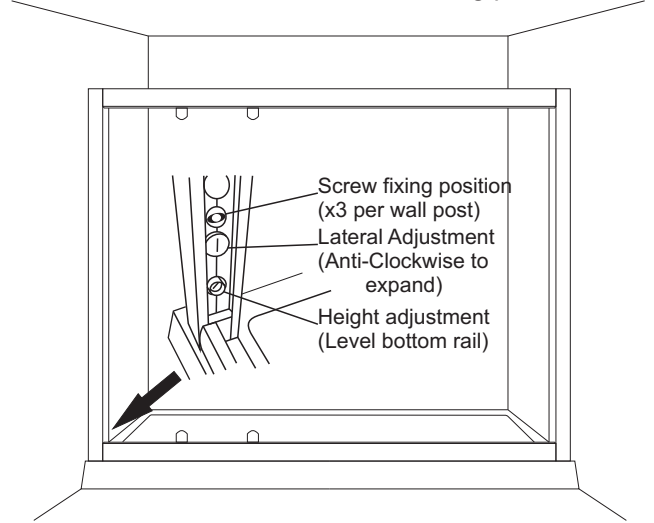


IF USING A SIDE PANEL PLEASE REFER TO SIDE PANEL INSTRUCTIONS AFTER THIS STAGE

9 Position onto the tray, Expand frame equally into the opening using the x3 lateral adjustments on each wall post so that the frame wedges into place. Level the bottom rail if required using the height adjustment. Level the frame work to the wall and mark the screw fixing positions.

TIP Ensure the framework is level vertically and horizontally using a spirit level

TIP To mark the screw fixing positions dip the end of a drill bit into some shoe polish



10 CAREFULLY REMOVE THE FRAME FROM THE TRAY

1 Once the enclosure is removed drill holes into the walls using a 7mm Drill Bit, CHECK FOR PIPES AND CABLES

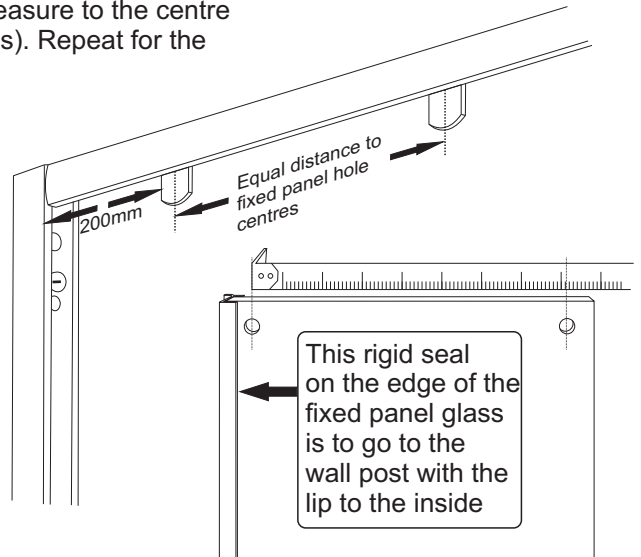
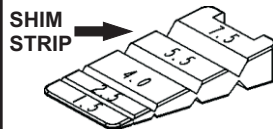
2 Insert wall plugs or fixings suitable for your walls. Then secure frame to wall using X6 No.8x30 PH screws supplied

3 Level door frame using adjustments shown in stage 9, ensure the wall posts are straight and not bowed out in the middle from over tightening the middle adjustment screws.

11 Measure the centres of the holes in the fixed panel, once done position the patch closest to the wall post 200mm away from the post, then space the second patch the equal distance from this to the fixed panel holes (measure to the centre of the fixed panel patches). Repeat for the patches at the bottom.

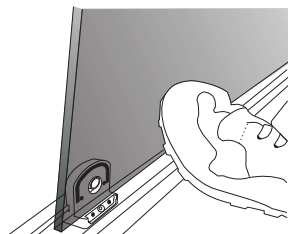
IMPORTANT

Before fitting the fixed panel glass, ensure that the Shim Strip is placed between the bottom rail and the tray half way along it's length, this will support the weight of the glass and prevent the bottom rail bowing



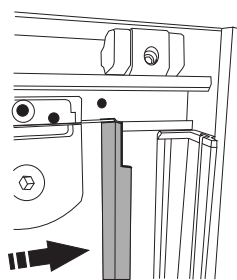
12 Carefully lift fixed glass panel into the enclosure and secure to fixed panel patches. Make sure you have the 4mm Allen key & inner patch covers to hand. Ensure the rigid seal is to the wall post with the Life Shield treated surface to the inside.

Place fixed glass onto the bottom patches and hold firm with your foot. Push the top of glass onto locating holes in top patches and re-fit the inner patch covers. Repeat for the bottom patches.

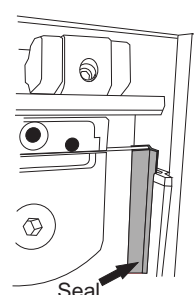


13 Re-fit the extrusions by reversing the procedure in stage "8" Slide fixed panel back to the fixed side wall post, ensure lip of seal fully locates into the groove in the extrusion. Once secured ensure all allen screws are fully tightened.

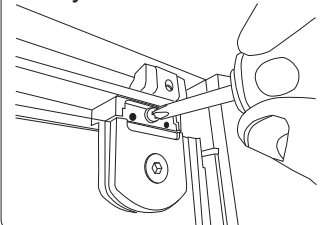
1 Slide the fixed panel up to the wall post, slightly loosening the allen key screws may make this easier



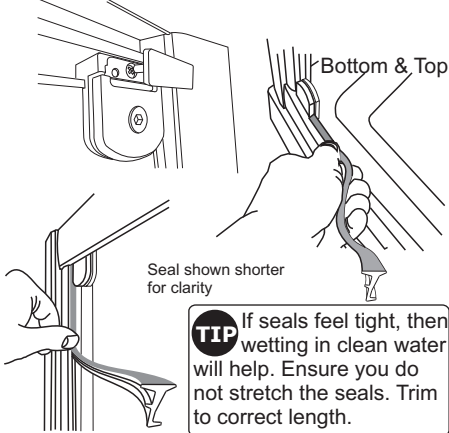
2 Ensure the lip on the rigid seal locates into the extrusion over it's full length



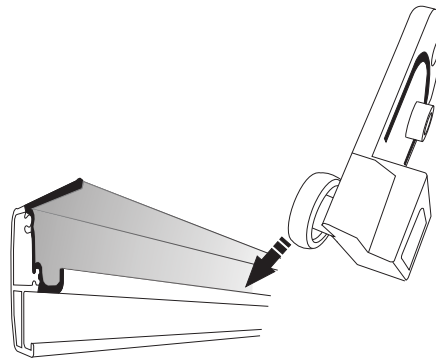
3 Using X4 6x20PH screws secure the patches into the pre drilled holes, if the holes do not line up loosen the allen key screw and move patch on glass to align, re-tighten all allen key screws.



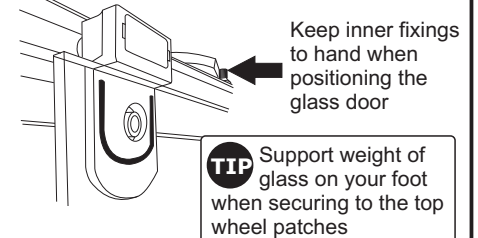
14 Insert glazing seals as shown, around the **outside** of the fixed panel. Also at this stage fit the inner fixed patch covers as shown, you will not be able to fit all of these once the door glass is installed.



15 Remove the wheel patch fixings from the door glass using the 4mm allen key supplied. Sit these patch fittings into **TOP** rail upside down then turn the right way around to lock them into the rail.

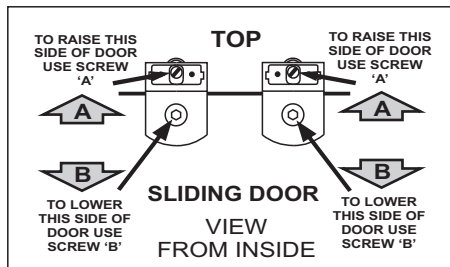


16 Carefully feed the glass into the unit and match up the top holes with the wheel patches. Screw the inner cover back on. Ensure the shoulders of the patch fittings are tight against the top edge of the glass. If the handing of the door glass is being changed then you will need to remove the quick release patches and splash seal and ensure they are to the bottom of the door with the levers pointing towards each other.



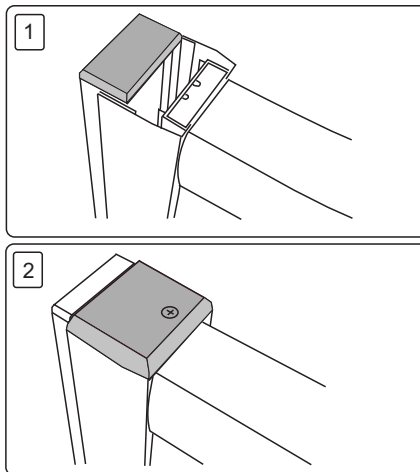
17 Adjust the hanging of the door so that the closing edge of the glass meets the closing seal evenly over it's entire height. Gain access to screw "A" by removing the top patch cover.

PLEASE ENSURE THAT AFTER ADJUSTMENT ALL SCREWS ARE FULLY TIGHTENED

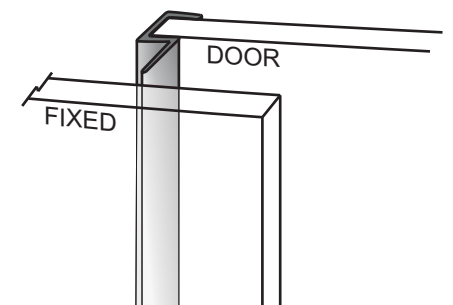


- A** Roller bearing adjustment- using screwdriver, loosen screw (do not remove), re-position in slot and re-tighten.
- B** Patch fitting adjustment- using allen key, loosen screw (do not remove), lower glass and re-tighten.

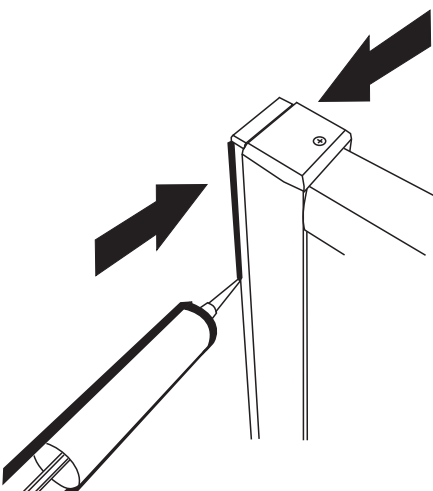
18 FIT COVER CAPS, to all patch fittings and each wallpost. Secure wallpost cover caps using No.4 x 10mm long screws provided.



19 FIT VERTICAL DOOR seal onto the opposite edge of the sliding door to the handle. Position stop blocks to prevent the handle of sliding door impacting on edge of fixed panel, then tighten allen key grub screws with 2.5mm Allen Key.

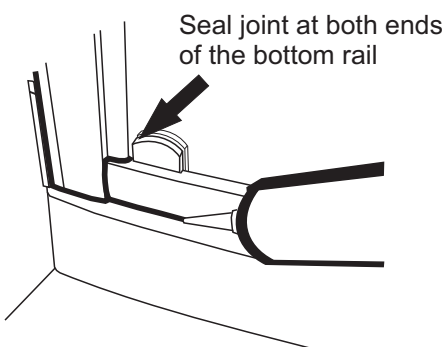


20 Silicone seal the wallposts. Both wallposts should be sealed vertically to the tiled / panelled walls on the **Outside & Inside** of the enclosure.



21 Silicone seal the enclosure to the tray on the **outside only**. You should also seal the joint as shown.

IMPORTANT!! Do not seal to the tray on the inside, this will prevent drainage of the frame work and will cause leakage problems



- Check the running of the door, vasaline can be applied to the bottom track to improve the sliding action
- Check that the shim strip has been installed under the bottom rail
- Check that all the screws and fittings are fully tightened
- Ensure that the quick release levers are to the bottom of the door
- Leave for 24hrs before use to allow silicone sealant to cure