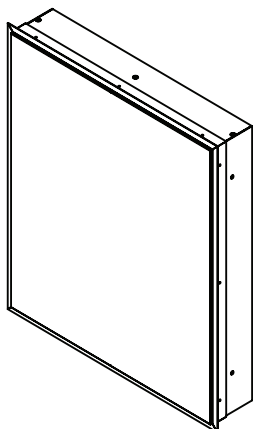
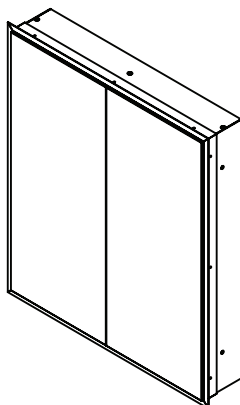


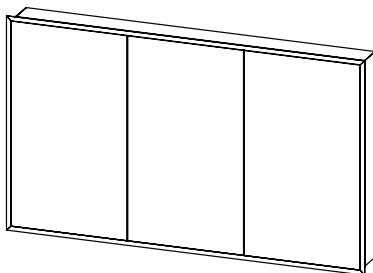
Essence 50, 60 & 80 Cabinet



Essence 50
Art No. 51000



Essence 60 & 80
Art No. 51100 & 51200



Essence 120
Art No. 51300

Thank you for purchasing this HiB product.

Please read through these instructions carefully and refer back to them during installation to ensure that your product is fitted safely and that it retains its high quality finish.

Please retain this booklet for future reference.

Before drilling or cutting, ensure there are no hidden cables or pipes in the wall.

Please Note

This product can only be recessed fitted into a wall. Before installing ensure you take note of measurements of the recessed area and the side fixing points inside the cabinet carcass (See Fig. B & E).

You may need to remove the door(s) to make it easier to fit. This can be done by removing the hinges (See Fig.A). **DO NOT FIT SHELVES AT THIS STAGE.**

Fixing Preparation

Before installation, ensure the construction of the partition wall is suitable to accommodate the size and weight of a recessed cabinet.

Ensure there are no hidden pipes or cables in the wall you are drilling or cutting into.

1. Measure the dimension of the cabinet carcass (but not the front aluminium fascia).
2. Using these dimensions, take a soft pencil and mark the outline for the required aperture in the wall. **Take great care to mark this accurately, straight and level.**
3. Using an appropriate tool, cut out the aperture in the wall where the cabinet will fit (See Fig. B).
4. If it is necessary, install supporting baton(s) or noggin(s) around the recessed area (See Fig. C) to which the cabinet can be secured. These supports must be completely vertical and parallel to the cabinet to prevent the cabinet twisting when fitted.
5. Manoeuvre the cabinet into the wall aperture (See Fig. D).
6. Using a suitable screwdriver or drill, secure the cabinet into the wall aperture, via two holes with the supplied screws (two on each side) (See Fig. E).
7. Adjust the shelf support brackets to your desired height ensuring the matching brackets are level. This is done by slightly loosening the screw, **do not remove the screw completely**. Once in position tighten screw to secure the bracket and put the glass shelf into shelf support bracket (See Fig.F).
8. If the door(s) were removed at the beginning of this process, carefully reattach the door(s) (See Fig.A).

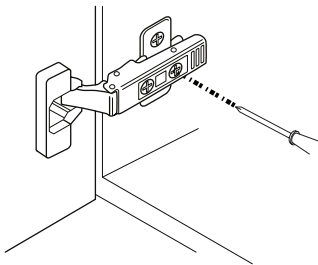
Care Instructions

Do not use abrasives or solvents when cleaning this product.

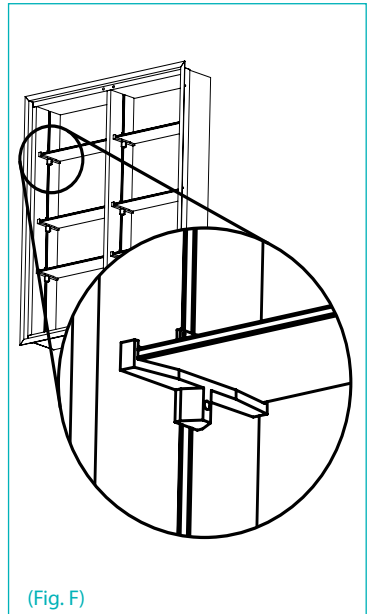
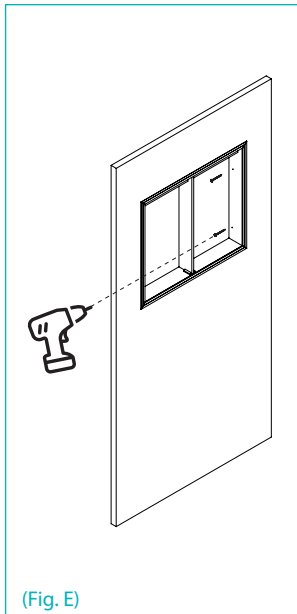
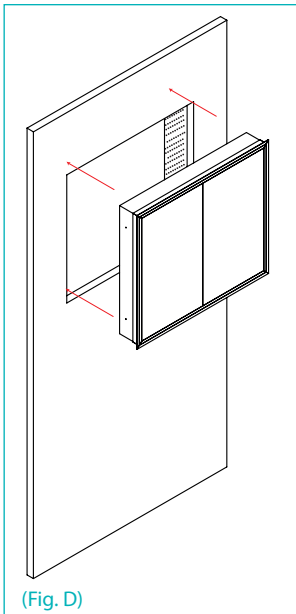
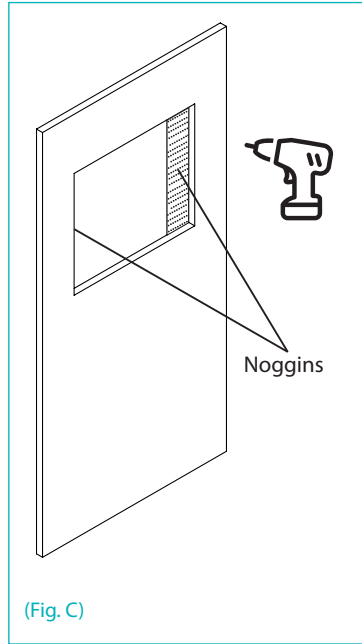
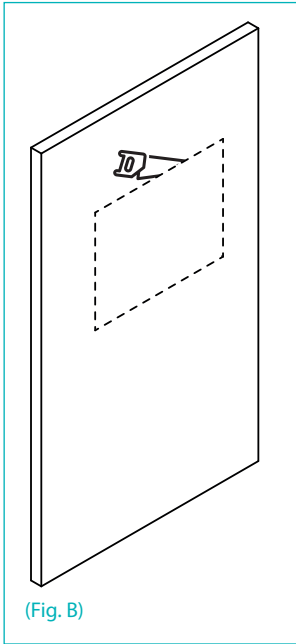
Wipe off all water spillages as soon as possible using a soft, damp cloth.

Aftercare Service

In the unlikely event that this product should fail please contact HiB customer services, contact details shown on the back page.



(Fig. A)



T: +44 (0)20 8441 0352 **F:** +44 (0)20 8441 0219 **E:** sales@hib.co.uk hib.co.uk

Building 3, North London Business Park, Oakleigh Road South, New Southgate, London. N11 1GN

©HIB Copyright: No part of this document may be reprinted or duplicated without HIB consent. All sizes and measurements are approximate, but we do try and make sure they are as accurate as possible. In the interest of continuous product development, HIB reserves the right to alter specifications as necessary. E & OE.