



M A N U A L



QUADRANT/OFFSET QUADRANT

Installation instruction

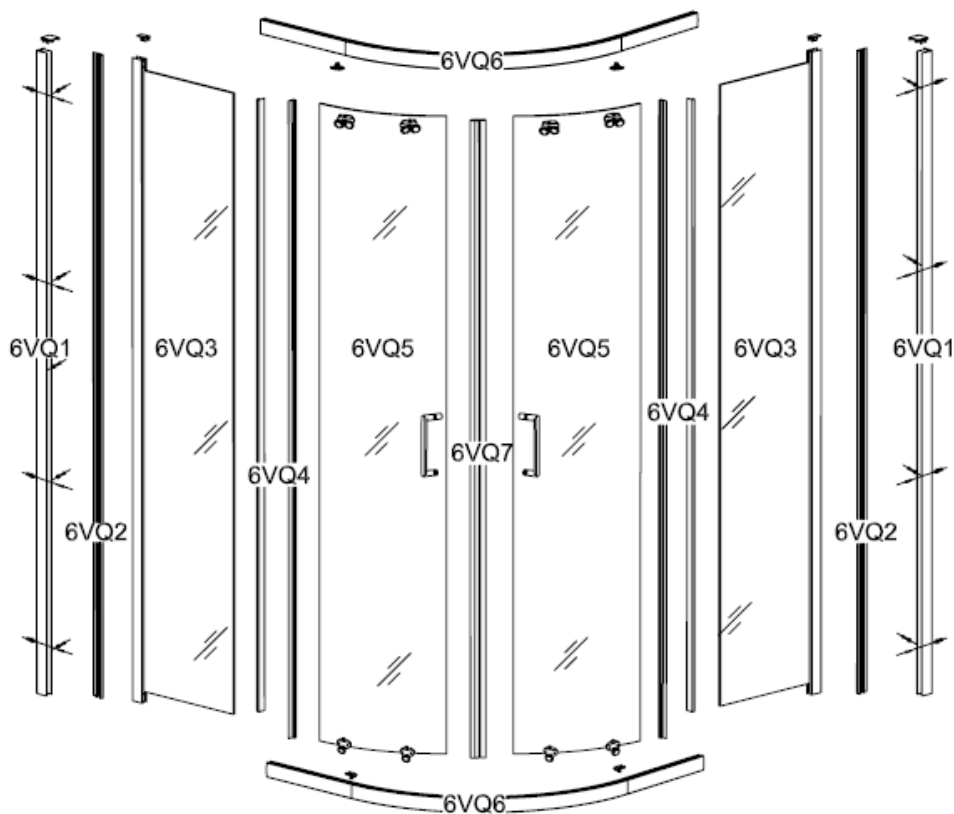
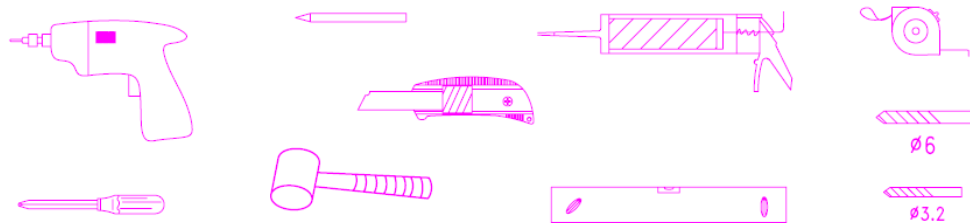
Aquaglass Purity quadrant

Adjustment: (-30 / -10mm) x (-30 / -10mm) x1950mm

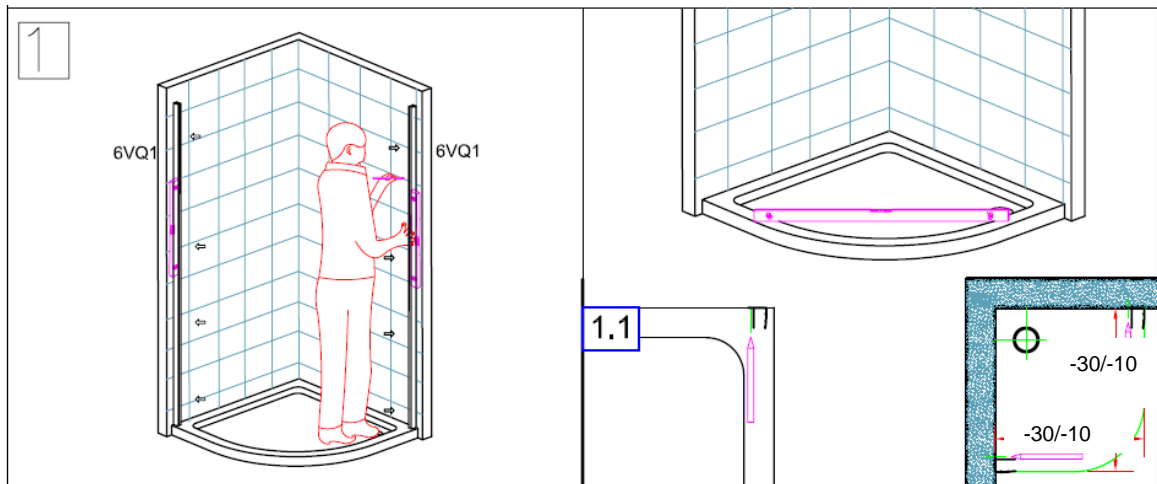
Mounting preparation:

After opening the package, read the instructions carefully, check whether all parts are present and there are no sign of shipping damage. If you find any problem, please contact your retailer directly.

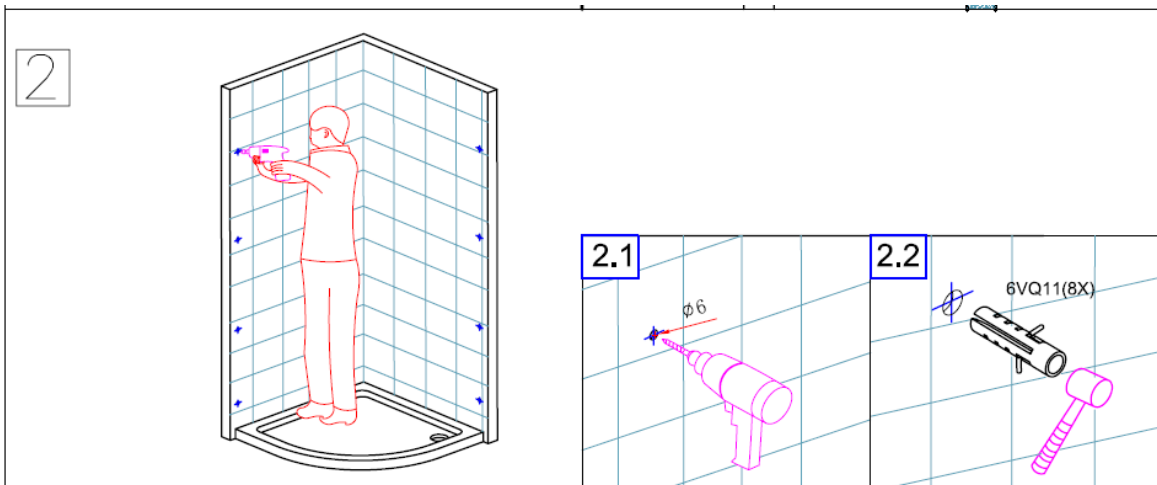
Necessary tools: Mains or electric drill, masonry drill(ϕ 6mm),drill(ϕ 3.2mm),cross tip screw driver, spirit level, tape measure, rubber hammer, knife, pencil, silicone sealant and gun.



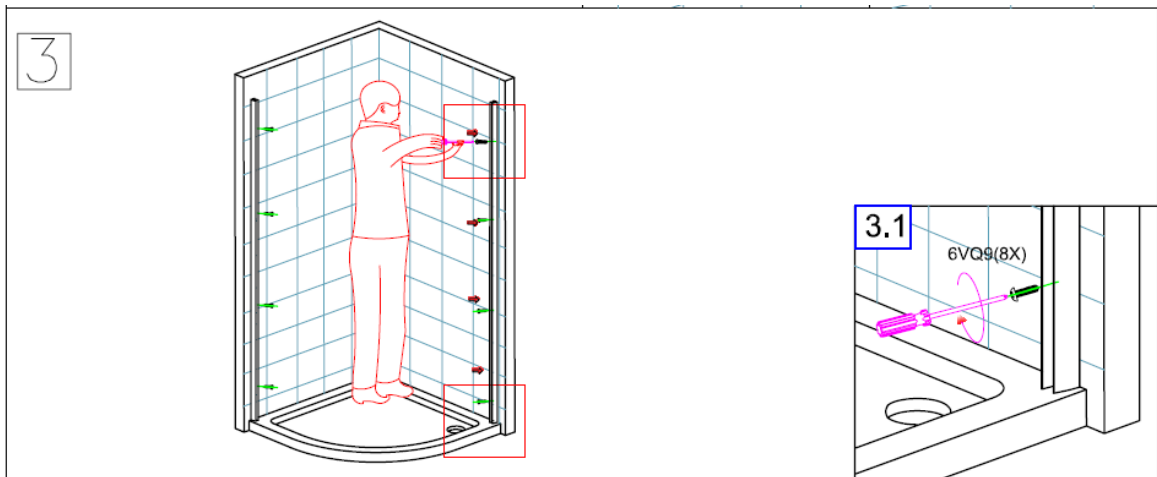
<p>6VQ8</p> <p>10</p> <p>ST4</p> <p>8X</p>	<p>6VQ9</p> <p>30</p> <p>ST4</p> <p>8X</p>	<p>6VQ10</p> <p>25</p> <p>ST4</p> <p>8X</p>	<p>6VQ11</p> <p>8X</p>	<p>6VQ12</p> <p>8X</p>
<p>6VQ13</p> <p>2X</p>	<p>6VQ14</p> <p>2X</p>	<p>6VQ15</p> <p>4X</p>	<p>6VQ16</p> <p>8X</p>	<p>6VQ18</p> <p>4X</p>
			<p>6VQ17</p> <p>8</p> <p>ST4</p> <p>8X</p>	



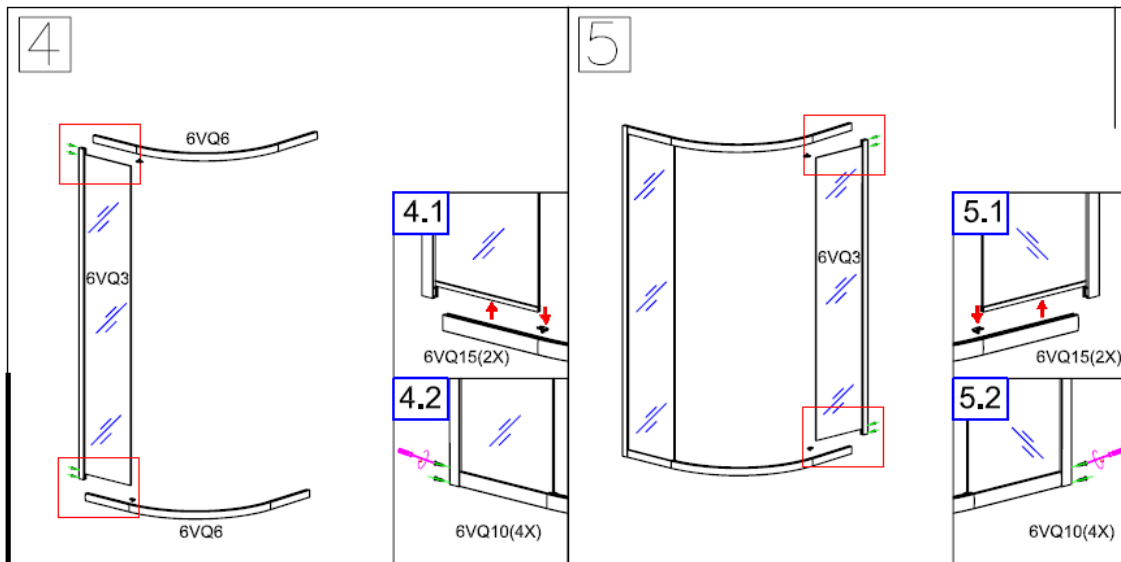
1. Ensure the tray is level with the spirit level and ensure the tray is also correctly installed and sealed as per the manufacturer's installation instructions. Put the wall profiles (6VQ1) against the wall, ensuring the distance between the profile and the wall is correct. Adjust the profile to make sure it is vertical by using a spirit level. Mark the holes on the wall.



2. Before starting to drill, please check for any hidden electrical cables or pipe work. Drill the holes ($\phi 6$ mm) according to the marks and insert the wall plugs (6VQ11) into the holes

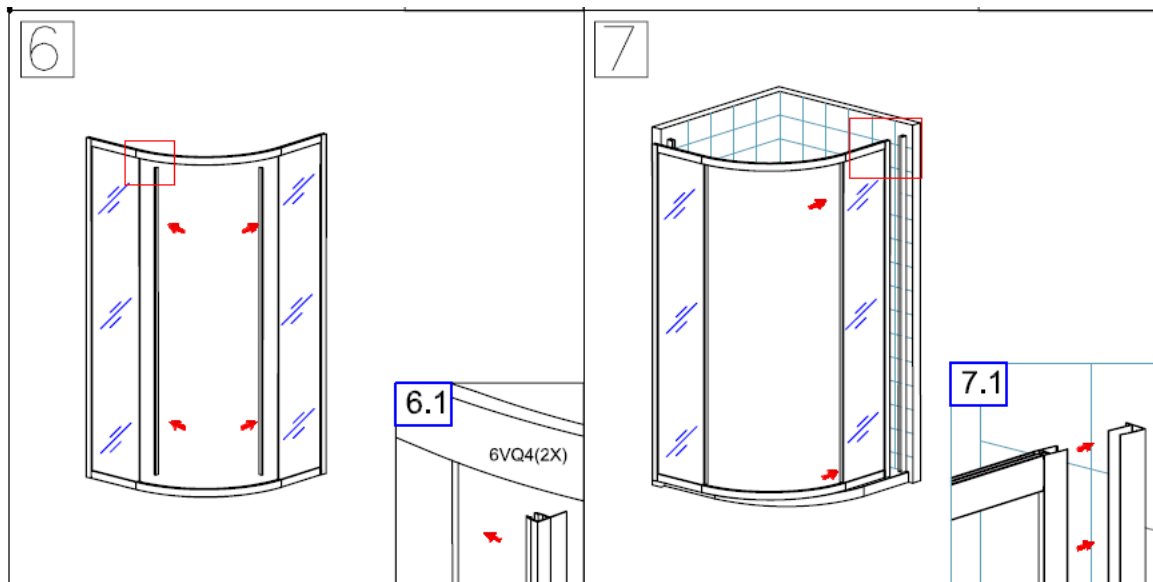


3. Fix wall profile on the wall with screw 6VQ9..



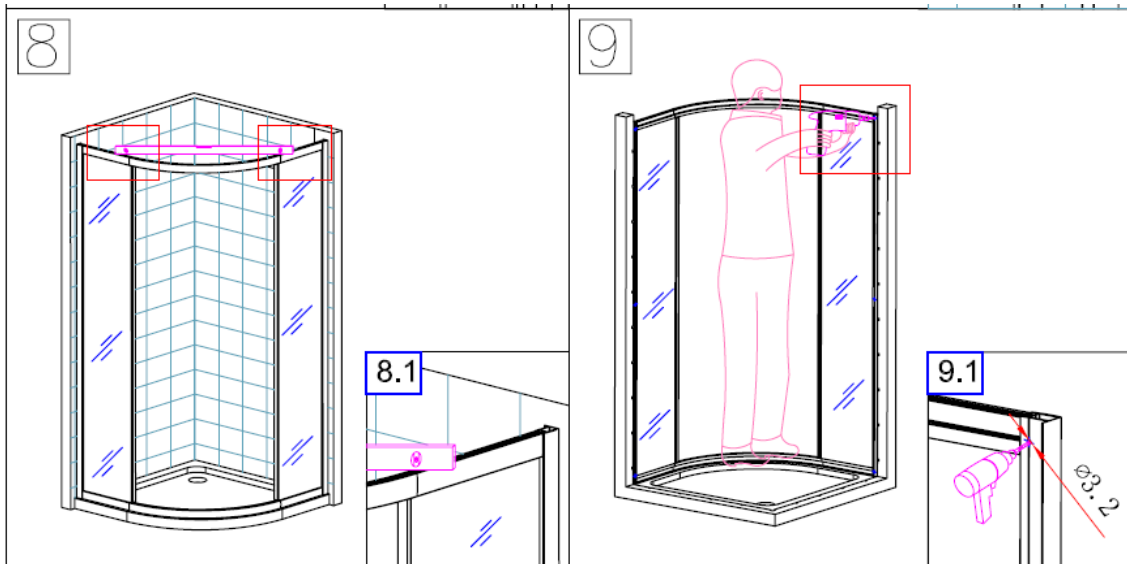
4. Insert fixing part 6VQ15 into the top and bottom rail profile like step 4.1 shows on fixed panel side. Put rail profile 6VQ6 on top and bottom of fixing panel 6VQ3. Fix top and bottom rail profile with vertical profile with screw 6VQ10

5. Insert fixing part 6VQ15 into the top and bottom rail profile like step 5.1 shows on fixed panel side. Put rail profile 6VQ6 on top and bottom of fixing panel 6VQ3. Fix top and bottom rail profile with vertical profile with screw 6VQ10.



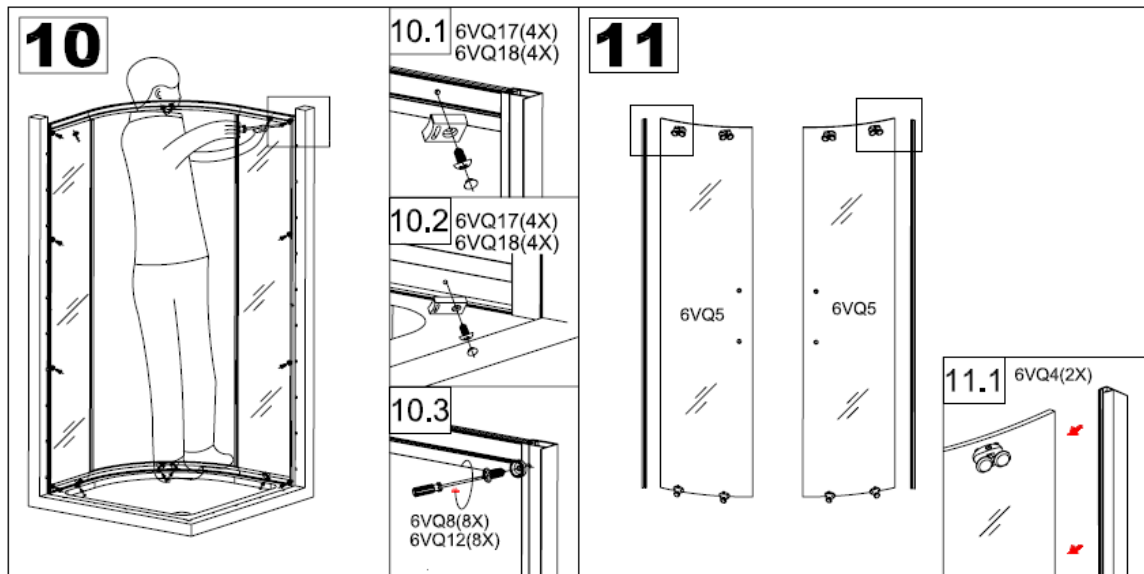
6. Apply vertical seal 6VQ4 on the edge of fixed panel 6VQ3.

7. Insert whole frame into the wall profile on 2 sides.



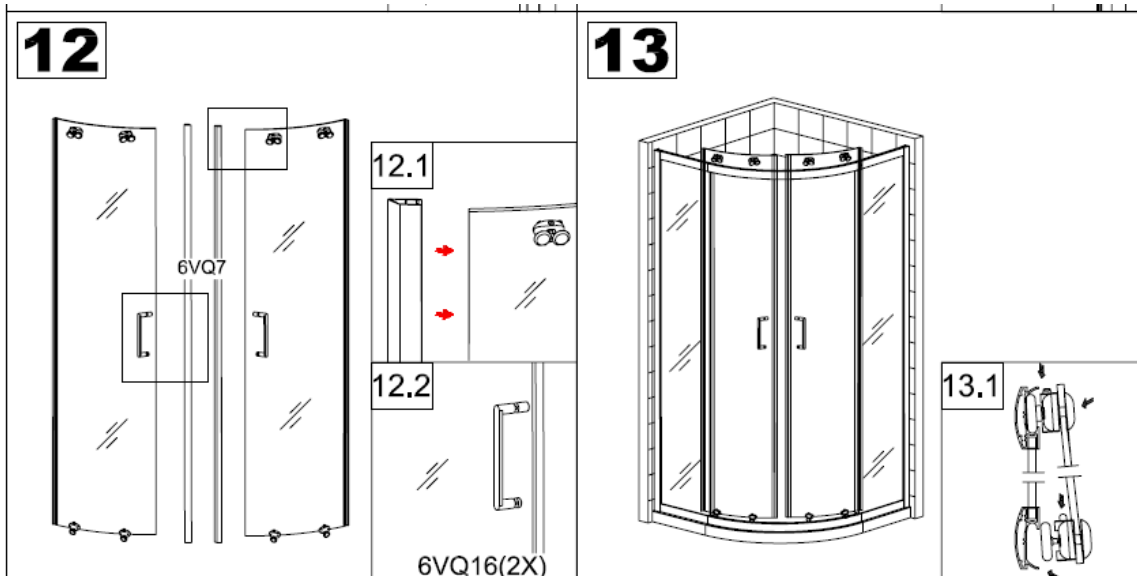
8. Put spirit level on top of cabin to make sure the whole cabin is in level.

9. From inside, drill the wall profile into vertical profile with drill head \varnothing 3.2mm.



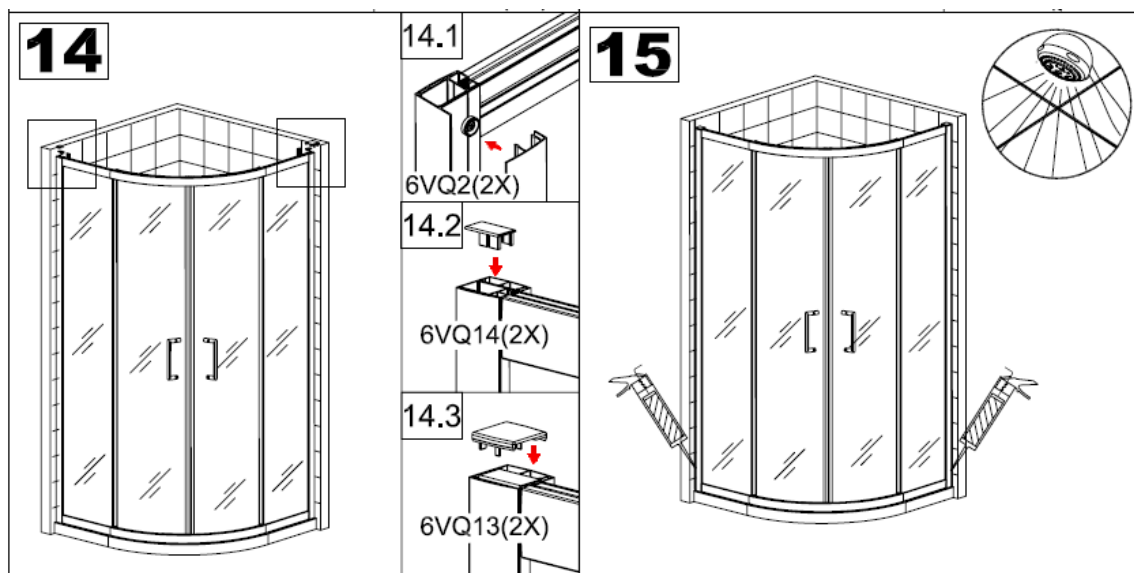
10. Mount door stopper 6VQ18(8X) on the rail profile. mount short stopper on top rail and long stopper on bottom rail profile with screw 6VQ17(8X). Fix wall profile and vertical profile together with screw 6VQ8 and screw washer C6Q12.

11. Apply vertical sealer 6VQ4 on the edge of sliding panel 6VQ5.



12. Apply magnetic seal 6VQ7 on the sliding door. Mount handle 6VQ16 on the sliding panel.

13. Put top roller into the track of top rail profile. Press bottom clipper down and insert into the track of bottom rail profile.



14. Attach the concealed profile 6VQ2 on both side of wall profile. Put profile cap 6VQ14 on top of vertical profile. Put profile cap 6VQ13 on top of wall profile.

15. From outside the enclosure, seal down the whole length of the joint between the wall profile and the wall. Please do not use shower within 24 hours after silicon sealing.

Cleaning and Maintenance:

Please do not use abrasive or strong cleaning solutions on the shower enclosure, such as alcohol, petroleum liquids or any other chemical cleaner.

Should there be any dirty stains on the shower enclosure, please clean it with a soft lint free cloth and warm soapy water. Please rinse it with clean water afterwards. After the installation is complete, if there is any noise during glass door movement, please add a small quantity of lubricant onto the roller wheel, bottom guide and track.

For information and support: phone 0845 470 24 27

V14E16