



m a n u a l

created by
FRONTLINE 
The Complete Bathroom

EOS Quadrant Single Sliding Door

Installation instructions:

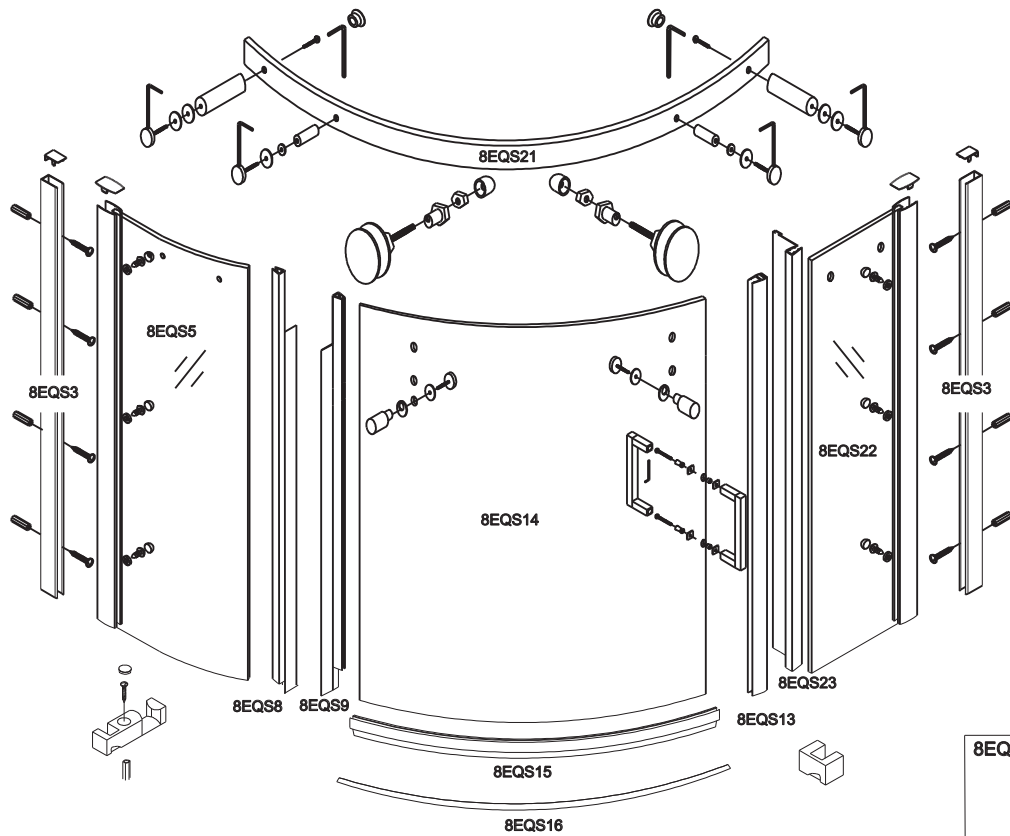
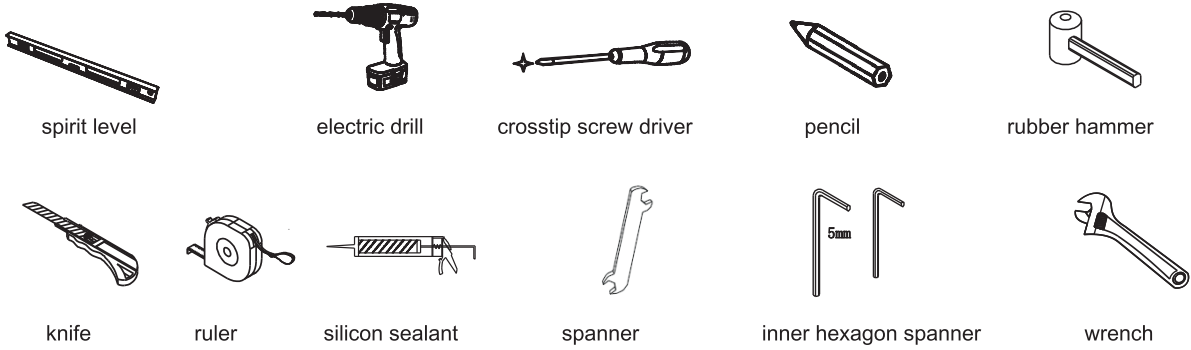
Quadrant with single sliding door

Adjustment range: (-25mm/0mm)x(-25mm/0mm)x1900mm

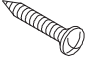


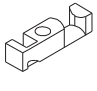
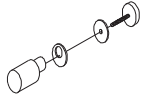
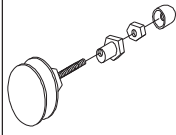
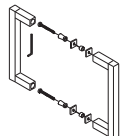
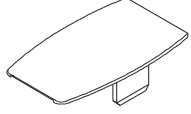
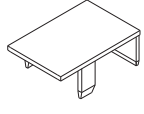
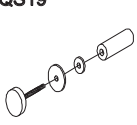
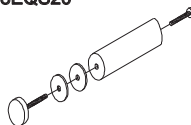

Mounting preparation

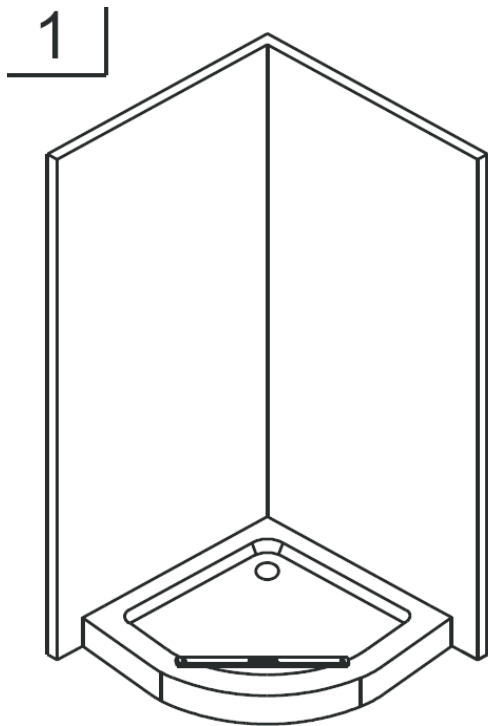
After opening the packaging, read the instructions carefully. Check whether all parts are present and there are no sign of shipping damage. If you find any problem, please contact your retailer directly.

Necessary tools:

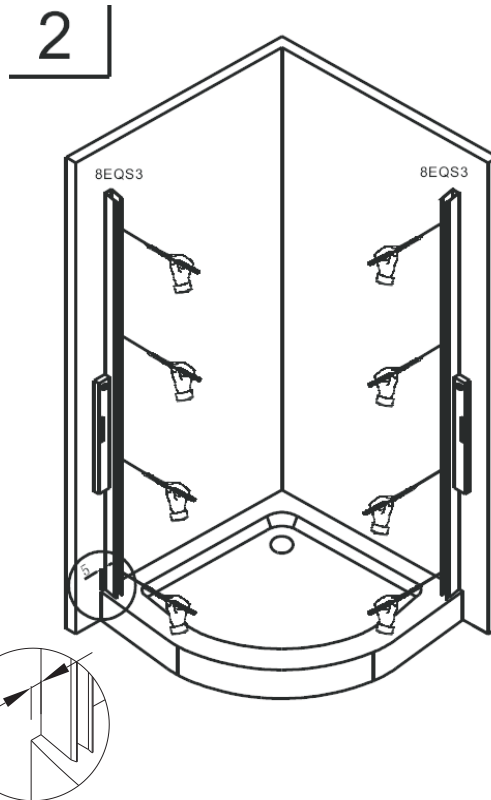


Packing list:

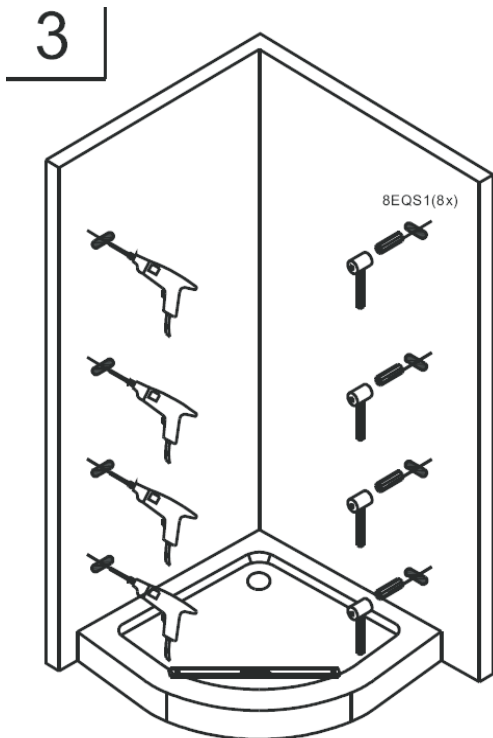
8EQS2 ST4X30  9x	8EQS4  6x	8EQS6  3x	8EQS7  1x	8EQS10  2x	8EQS11  2x
8EQS12  1x	8EQS17  2x	8EQS18  2x	8EQS19  2x	8EQS20  2x	8EQS24  1x



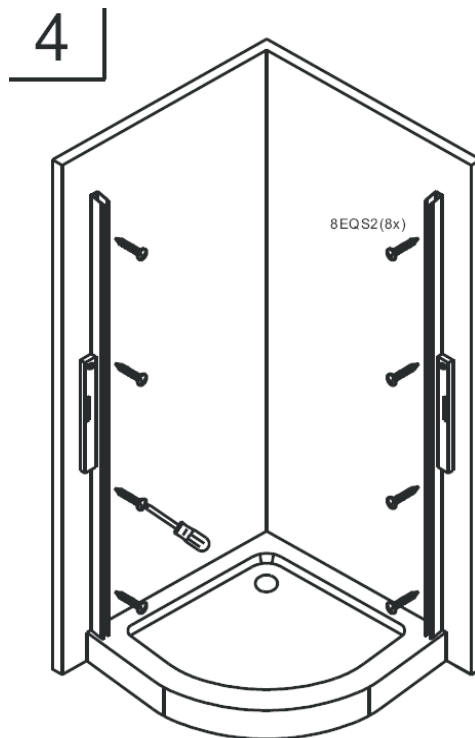
1. If the quadrant is placed onto a tray, first take a spirit level to check whether the tray is placed horizontal. In case the quadrant is installed directly onto the floor, please proceed with step 2.



2. Put the wall profiles 8EQS3 against the wall, ensuring the distance between the profile and the wall is correct. Please make sure profile to be 5mm away from outside edge. Adjust the profile to make sure it is vertical by using a spirit level. Mark the holes on the wall.

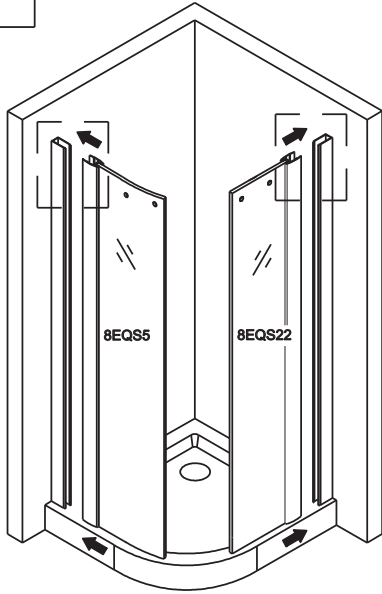


3. Drill the holes ($\text{\O}6\text{mm}$) according to the marks and insert the wall plugs 8EQS1 into the holes.



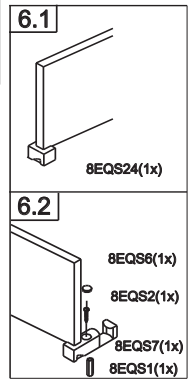
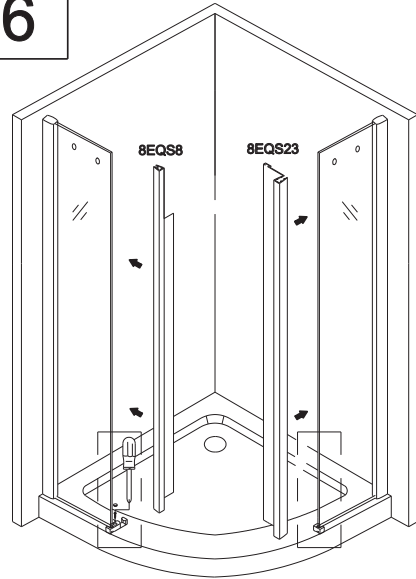
4. Fix the wall profiles 8EQS3 with the ST4x30 screws 8EQS2 to the wall.

5



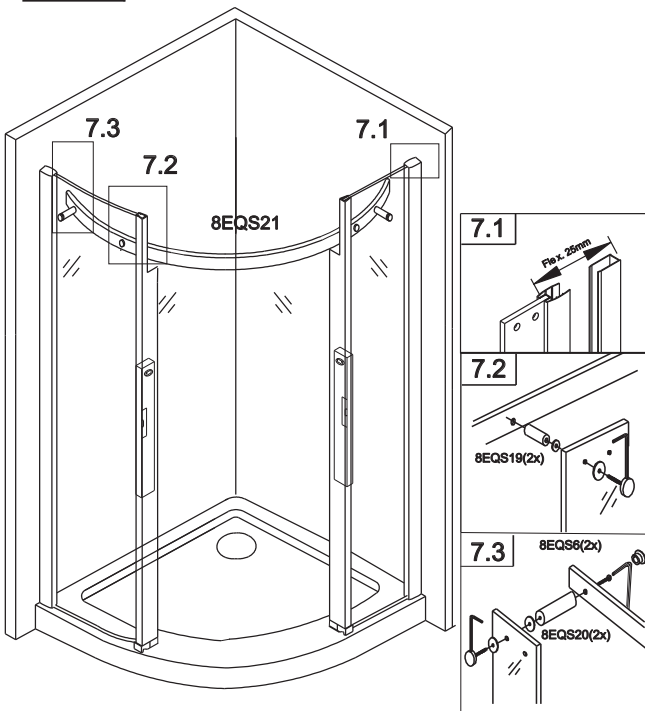
5. Insert the big fixing glass 8EQS5 into the left wall profile and inset the small fixing glass 8EQS22 into the right wall profile.

6



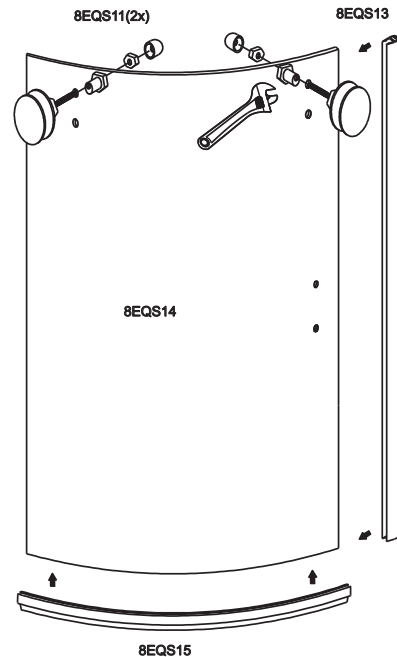
6. Attach the vertical sealer 8EQS8 on the big fixing panel 8EQS5. Put the bottom bracket 8EQS7 on the big fixing glass panel and mark the hole for the bracket. Drill the holes (\varnothing 6 mm) according to the marks and insert the wall plugs 8EQS1 into the holes. Fix the bracket 8EQS7 with the ST4x30 screws 8EQS2 to the tray. Put the cover 8EQS6 on screw. Attach the vertical sealer 8EQS23 on the small fixing panel 8EQS22. Put 8EQS24 on the small glass panel.

7



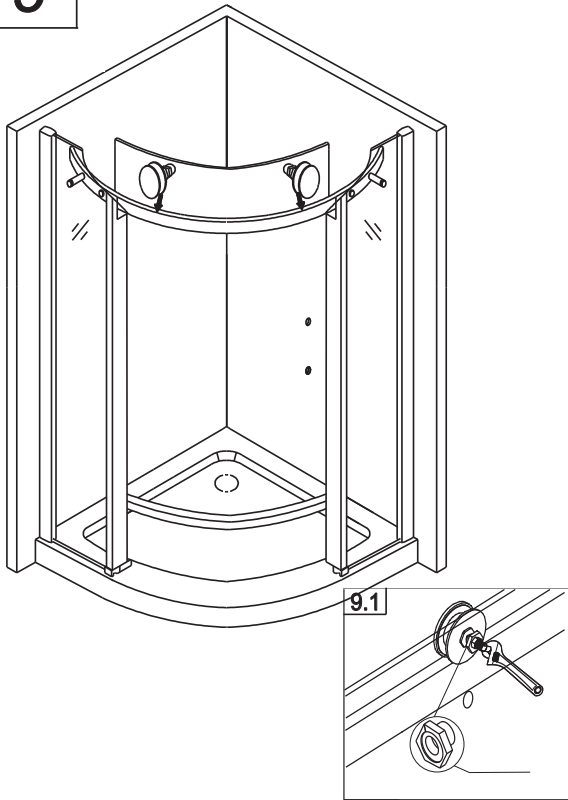
7. Adjust the position of vertical profile and wall profile to suitable position and then mount rail profile 8EQS21 by assembling fixing part 8EQS19 and 8EQS20 on fixing panels. Cover 8EQS6 on the back of 8EQS20.

8



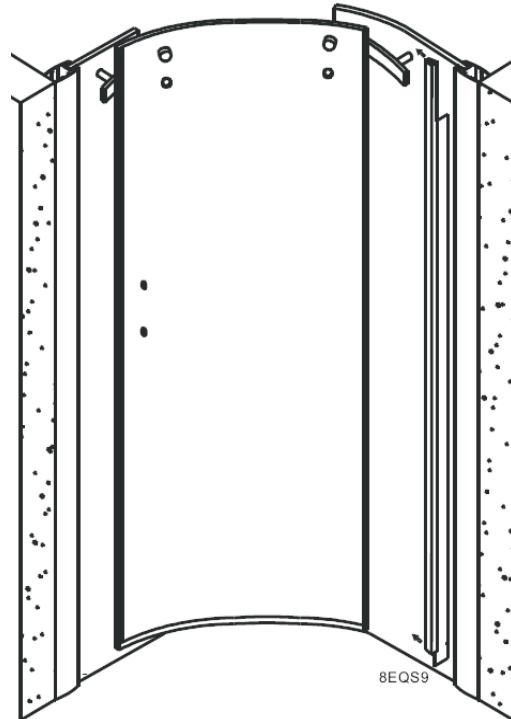
8. Assemble rollers 8EQS11 on sliding panel 8EQS14. Attach magnetic strip 8EQS13 on the right edge of panel. Attach bottom seal 8EQS15 on the bottom of glass.

9



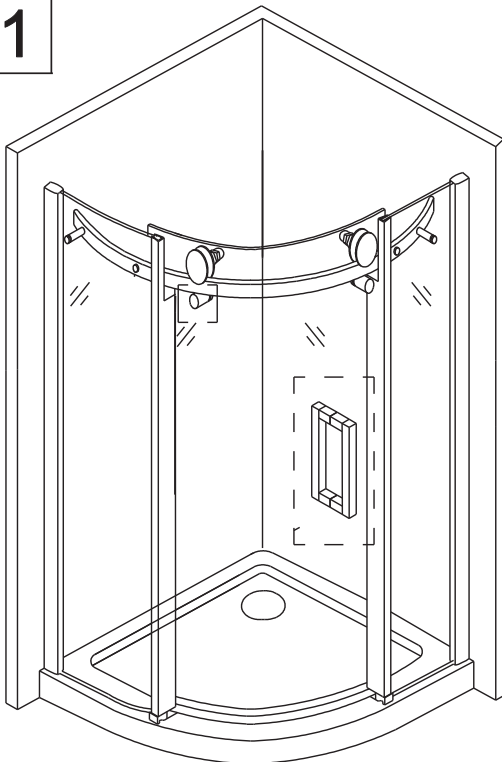
9. Put the sliding panel on the rail profile. Adjust the top roller to make sure sliding panel is vertical to the rail profile. The roller's washer is eccentric. Please adjust the eccentric washer to right position and fasten the nut.

10

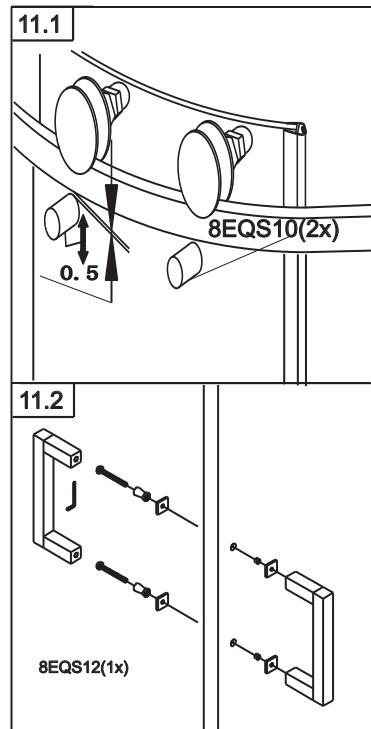


10. Attach the vertical seal 8EQS9 on the other side of sliding panel.

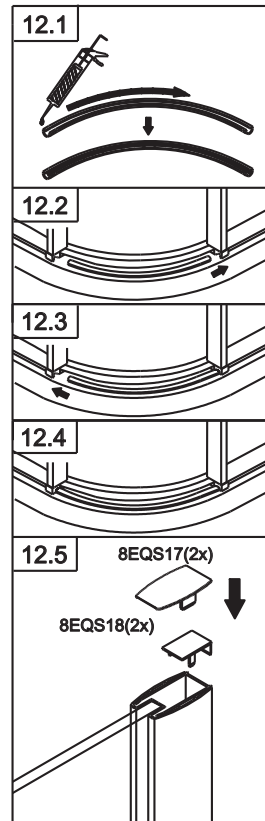
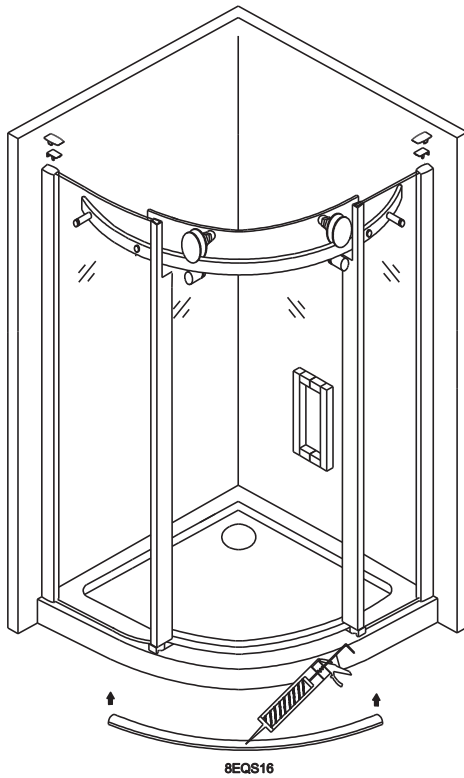
11



11. Assemble the fixing part 8EQS10 on sliding panel below rail profile. 8EQS10 is eccentric. Adjust the distance between rail profile and 8EQS10 to be 0.5mm. Mount handle 8EQS12 on the sliding panel.

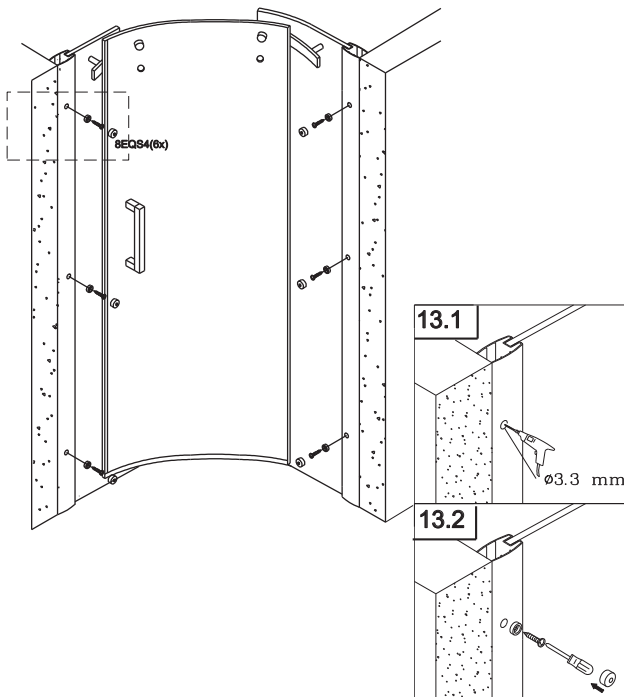


12



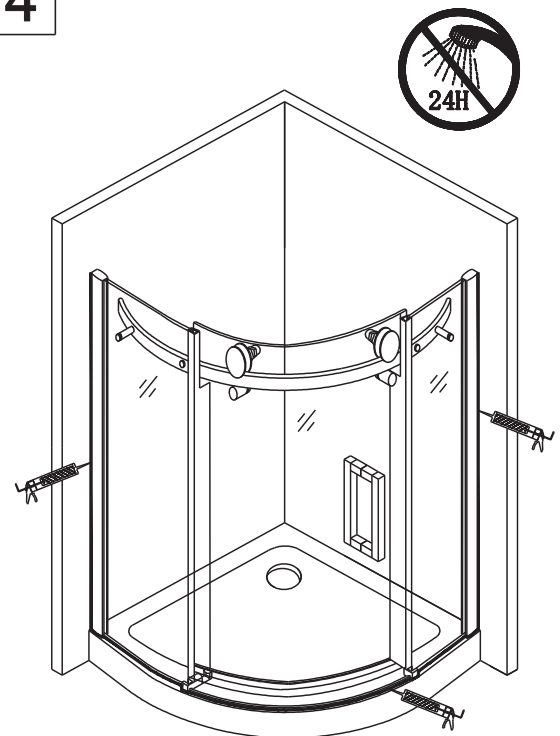
12. Put silicon glue on the back of bottom aluminum strip 8EQS16. Put it on the tray edge between bracket 8EQS7 and cover 8EQS24. Put the profile cover 8EQS18 on the vertical profile and put profile cover 8EQS17 on the wall profile.

13



13. Drill the holes ($\varnothing 6$ mm) on vertical profile into wall profile 8EQS3 and door profile. Use rubber washers and screws 8EQS4 to fix them in place. Press the screw caps over the screws.

14



14. Finally, at all points connected to the wall, shower tray/floor and the profiles, use silicone sealant only on the outside of the shower enclosure.