

BRISTAN



Guarantee

**PRODUCT CODE: CLR SHXDIVFF C
CLR SHXMTFF C**

TELEPHONE HELP LINE: 0844 701 6273

Bristan Limited
Birch Coppice Business Park
Dordon,
Tamworth
Staffordshire
B78 1SG

Web: www.bristan.com
Tel: 0844 701 6274
Fax: 0844 701 6275
Email: enquire@bristan.com

(FI CLR SHX) (Rev.D1)

BRISTAN

Claret Surface Mounted Thermostatic Bar Shower

Fitting Instructions & Contents List



Before starting any installation project please consider:

Prior to drilling into walls, check there are no hidden electrical wires, cables or water supply pipes with the aid of an electronic detector. If you use power tools do not forget:

- Wear eye protection
- Unplug equipment after use

Please keep these instructions for future reference

Contents

Section	Description	Page No:
1.	Introduction	2
2.	Specification	2
3.	Pack contents checklist	3
4.	Installation	3 - 7
5.	Component Key	9
6.	Operation	11
7.	General Fault Diagnosis	11
8.	Cleaning & Maintenance	12
9.	Guarantee	15

1. Introduction

Your dual control shower fitting is a thermostatic mixer incorporating a wax capsule thermostat to ensure constant showering temperatures.

This valve has been designed to comply with BS EN 1111:1999 and BS EN 1287:1999, manufactured to the highest quality standards.

These instructions are for your guidance to a safe and successful installation and should be left with the user.

2. Specification

Inlet Connections: 15mm compression with 150mm between centres.

Water Pressures: Min. 0.5 bar (5 metres from the base of the cold water tank (CWT) to handset) Max. 5 bar

Maximum recommended imbalance between hot and cold supply should not exceed a ratio of 5:1.

Maximum Outlet Temp: Factory set to 38°C to the temperature stop (can be re-set to suit site conditions).

Hot and Cold Supply Temperature

Minimum recommended Hot: 60°C

Maximum Hot Supply: 80°C

Maximum Cold Supply: 25°C

Note: The inlet hot water temperature must be at least 10°C above the required blend temperature.

9.1 Guarantee

Bristan offers solid guarantees to provide you with complete peace of mind.

Taps and Mixers

5 year parts and 1 year labour*. Gold, painted and special finishes 3 years parts only. All subject to proof of purchase.

Mixer Shower Valves

5 year parts. 5 year labour* (subject to registration), or 1 year with proof of purchase. Gold, painted and special finishes 3 years parts only.

Pumps and Power Showers

2 year parts. 1 year labour* (subject to registration).

Electric Showers/Instantaneous Water Heaters

2 year parts. 1 year labour* (subject to registration).

Accessories

5 year parts only. Includes bathrooms accessories, shower accessories (e.g. hoses, handsets and poles), wastes, WC levers and light pulls. Gold, painted and special finishes 3 years parts only.

Sanitaryware

5 year parts only. Subject to proof of purchase.

*Labour provided by an approved Bristan engineer. Guarantee only applies to products with a manufacturing fault. A deferred payment will be necessary in order to secure any visits by our engineers which will be charged if the problem is found not to be a manufacturing fault. If the fault is found to be down to a manufacturing error, the payment will be released and not charged.

This guarantee applies to products purchased within the United Kingdom or Republic of Ireland, but does not apply to products used commercially.

The guarantee is only available to original purchasers who have proof of purchase. The installation must allow ready access to all products for the purpose of inspection, maintenance or replacement.

Any part found to be defective during the above guarantee period will be replaced without charge, providing that the product has been installed in accordance with the instructions, used as intended, and regularly serviced.

Servicing should be carried out at regular intervals of no more than 12 months and more frequently in hard water areas (heavy lime scale) areas.

In the unlikely event that any problems are encountered with the product's performance on installation, you must obtain guidance/authorisation from our Customer Service Department, and be able to supply proof and date of purchase, before any remedial action is taken.

The guarantee excludes general wear and tear and damage caused by accident, misuse or neglect, and does not cover the following:

- Components that are subject to general wear and tear such as filters, seals, 'O' rings and washers etc.
- Damage caused by faulty installation
- Damage caused by lime scale or any waterborne debris
- Damage caused by inappropriate cleaning products (see user instructions)
- Damage caused by the use of non-Bristan parts
- The product being used for a purpose other than intended by the manufacturer.

In the interests of continuous product improvement Bristan reserves the right to alter specification as necessary.



NOTES

Please use this space to add any notes which you or your installer may have regarding the plumbing / installation of this product.

3. Pack Contents Check List

1x Valve
1x Rigid Riser Kit including rose (SHXDIVFF only)
1x Adjustable Riser Kit (SHXMTFF only)
1x Wall Mount Fixing Kit
1x Hose
1x Handset

4. Installation

4.1 Pre-Installation

4.1.1 Identify all components and check for completeness, particularly before commencing installation.

4.1.2 This mixer should be installed in compliance with Water Regulations. For further details contact your Local Water Authority.

4.1.3 This mixing valve is suitable for use with the following systems:

- Gravity Fed Hot & Cold (Nominally Equal Pressure & minimum 0.5 bar)
- Gravity Fed Hot & Mains Cold (Differential Pressure, 5:1 max ratio)
- Unvented Systems
- Gas combination Boiler
- Pumped System

Please Note: On gravity systems the minimum distance from the underside of the cold water storage tank to the showerhead must be at least 5 metres.

4.2 Installation - First Fix

NOTES

Before Installation:

Flush through the pipework to ensure removal of any debris. Turn off the mains water supply and close any isolating valves.

4.2.1 Position Fixing Backplate (See Fig.1)

Identify all components and check for completeness, particularly before commencing installation.

4.2.2 Identify the required position of the shower valve, where the wall mount fixing plate will be installed. Mark a 230mm x 50mm rectangle on the wall surface.

IMPORTANT: Check for any hidden electrical wires, cables or water supply pipes before drilling / cutting into then wall.

4.2.3 Prepare water supply pipes:

The centres of the hot and cold water supply pipes should be 150mm apart, with a sufficient amount of pipework protruding through the wall.

4.2.4 **Fit wall mount fixing plate:** (The wall mount fixing plate has two methods of fixing)

a) Tighten Fixing Lugs:

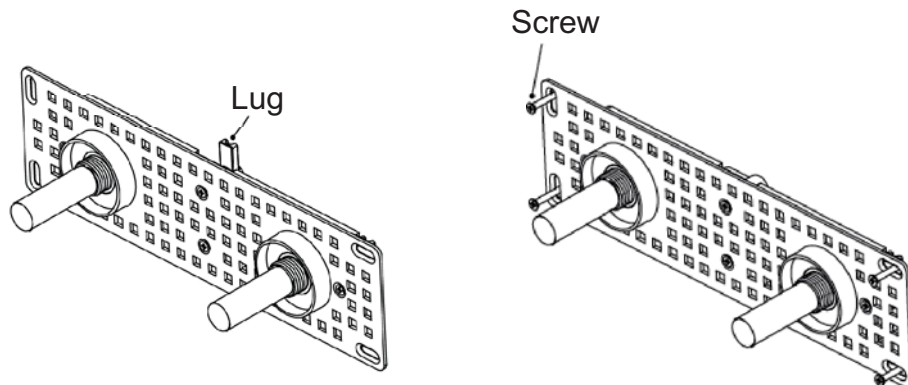
Tighten the two screws in the middle of the fixing plate and the two either side of the inlets. Tightening these screws will secure the lugs against the inside of the wall surface.

b) Screw fixing plate to the wall:

Using suitable screws for the wall type, secure the wall mount fixing plate to the wall. There is a hole in each corner of the fixing plate for the fixings.

IMPORTANT: Water supplies to the mixer must be with hot on the left and cold on the right when viewed from the front.

Please use this space to add any notes which you or your installer may have regarding the plumbing / installation of this product.



8. Cleaning and Maintenance

8.1 Cleaning

Your fitting has a high quality finish and should be treated with care to preserve the visible surfaces. All surface finishes will wear if not cleaned correctly, the only safe way to clean your mixer is to wipe with a soft damp cloth. Stains can be removed using washing up liquid. All bath cleaning powders and liquids will damage the surface of your fitting, even the non-scratch cleaners.

8.2 Regular maintenance

We advise that the valve is regularly serviced, particularly in hard water areas. It is also important to clean the handset regularly in hard water areas to maintain an even spray/flow of water. Both the shower rose and hand shower have rub clean nozzles for easy cleaning. Simply rub nozzles regularly to keep clean and free of limescale build up.

NOTE: ISOLATE THE WATER SUPPLY TO THE SHOWER VALVE

8.3 Cartridge Removal

- 8.3.1 Remove the temperature control handle, by removing the head cap and unscrew the head screw.
- 8.3.2 Unscrew the cartridge retaining screw on the underside of the body and pull out the cartridge from the mixer body.

8.4 Cartridge Maintenance

- 8.4.1 Place the cartridge in a bowl and carefully add some hot water (just off the boil) and vinegar to de-scale the cartridge. Leave until the water has cooled.
- 8.4.2 Then remove the cartridge and rinse with clean water.

8.5 Refitting the cartridge

- 8.5.1 Grease the seals with a suitable silicon grease and carefully refit the cartridge into the body.
- 8.5.2 Reset the maximum temperature and refit temperature handle.

4.2.5 Cut Supply Pipework

Once the wall mount fixing plate has been secured to the wall, the water supply pipework will need to be trimmed back with the use of a pipe cutter. (See Fig 3)

Note: The supply pipework MUST protrude 10mm +/- 2mm past the brass insert.

4.2.6 Attach olives and fixing bridges

Place olives (3) onto the protruding supply pipework

Screw the fixing bridges (4) onto the threaded brass inserts using a suitable spanner. (See Fig. 4)

Note: If required, any decorating should be complete now before starting the second fix.

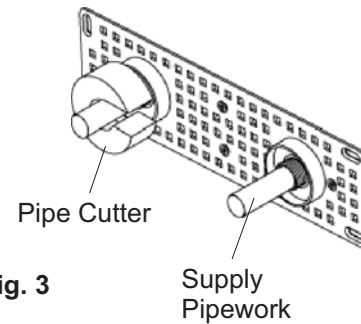


Fig. 3

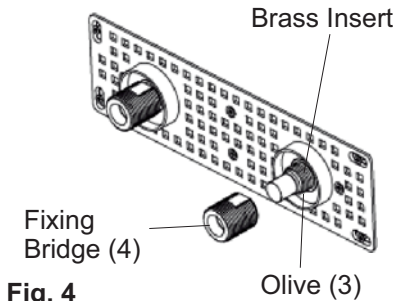


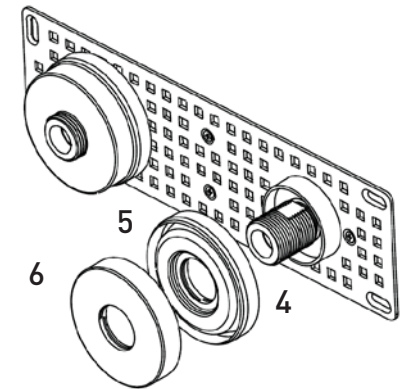
Fig. 4

4.3 Installation - Second Fix

- 4.3.1 Screw the covers (5 & 6) onto the fixing bridges (4).

Note: The rear covers (5) screw onto the fixing bridges (4) flush up to the finished wall surface

The front covers (6) are adjustable up and down the fixing bridges (4) to allow for different wall / tile thicknesses.



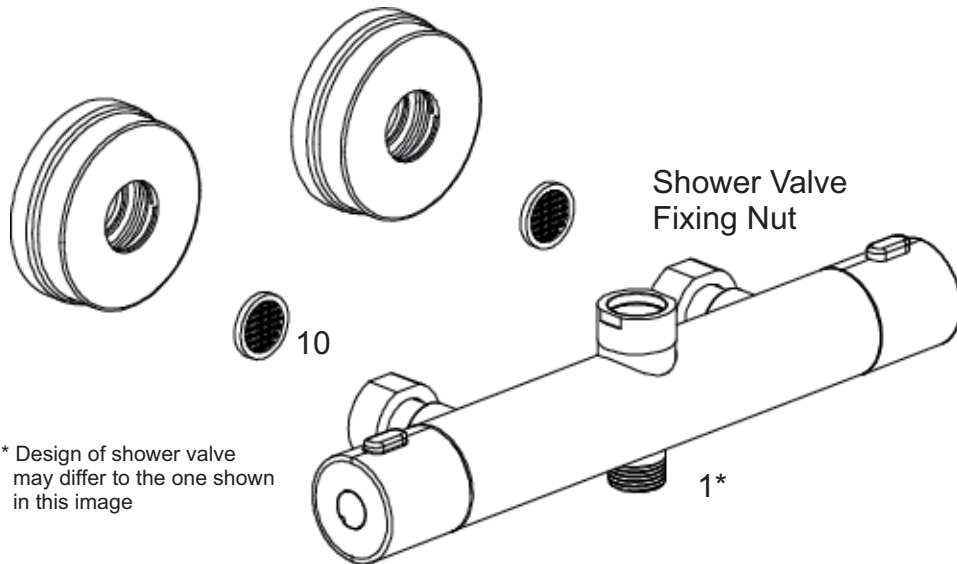
5

4.3.2 Attach Shower Valve

Place the filter washers (10) into the shower valve fixing nuts. Position the shower valve (1*) against the fixing bridges and carefully tighten the shower valve fixing nuts onto the fixing bridges. **DO NOT OVER TIGHTEN.**

Note: Take care not to damage the finish of the shower valve fixing nuts. Protect the chromium plated surfaces with a cloth.

If you have enjoyed this method of installation, the first fix wall fixings are available to purchase separately. Please see www.bristan.com for more details. Bristan product code: WMNT11 C



4.3 Rigid Riser Installation (Ref:Fig.2) - CLR SHXDIVFF C only

- 4.3.1 Assemble the rigid riser to the bar shower using the grub screw provided.
- 4.3.2 Use the bracket and support as a template to mark the required position allowing adequate movement of the handset holder. Remove rigid riser and drill wall to suit wall plug provided (if required).
- 4.3.3 Screw wall bracket to the wall using the screw and wall plug supplied. Slide handset holder on to the rigid riser and re-assemble to the bar shower using the grub screw. Lock the rigid riser to the wall bracket using the grub screw.
- 4.3.4 Attach the hose to the bottom outlet of the bar shower using the hose washer. Attach the other end of the hose (cone end) to the handset using the second washer.
- 4.3.5 Attach the shower rose to the riser with the sealing washer in place.

6. Operation

6.1 On/Off - Flow control

There are two control handles on the shower. The left hand control is the on/off and flow control and integral diverter (CLR SHXDIVFF C only). Turn one way for overhead shower and the other way for the hand shower. The temperature control handle (right) is turned anti-clockwise for hot and clockwise for cold. The maximum temperature is factory set to 38°C at the first stop position.

6.2 Temperature Control

If a temperature above factory set temperature is required, simply depress the button on the temperature handle when it reaches the stop and continue anti-clockwise until the desired temperature is found.

Do not attempt to force the handles past their stops as this may result in damage.

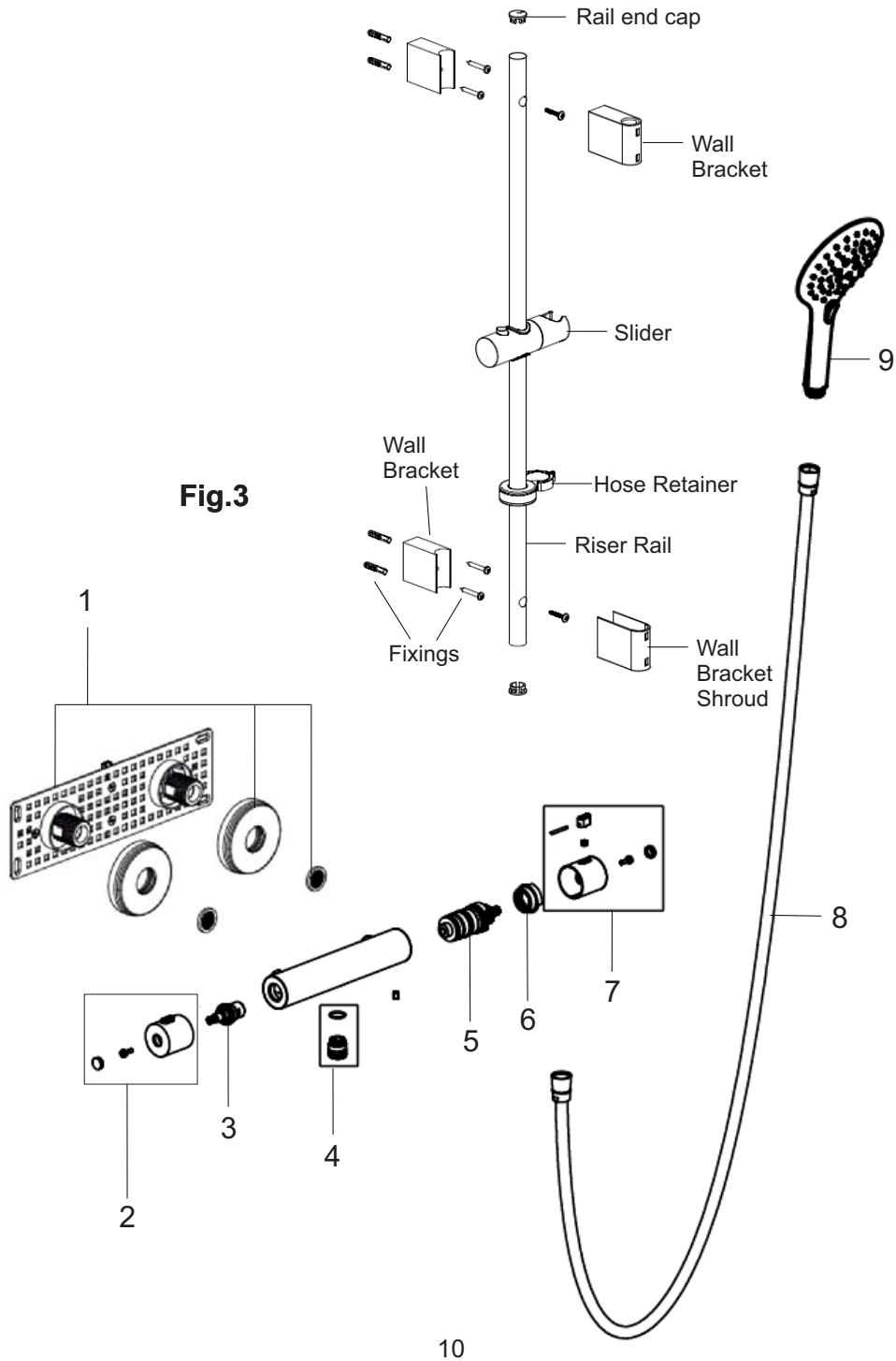
7. General Fault Diagnosis

If your valve fails to function correctly, the following should be checked:

- 7.1 Check that the hot and cold connections are the correct way around. Hot on the left, cold on the right when viewed from the front.
- 7.2 Ensure that the hot water temperature is adequate, the recommended minimum temperature is 60°C

If your shower will not turn off:

- 7.3 Check the ceramic disc valve is free of debris.
- 7.4 Check that the filters are not blocked.



4.4 Adjustable Riser Installation (Ref:Fig.3) - CLR SHXMTFF C only

4.4.1 Before proceeding with fitting the rail, identify each of the items supplied using the illustration and parts list on pages 9 and 10.

4.4.2 The slider should not be removed from the rail during fitting. The underside of the slider has a button to release the slider and allows the height to be adjusted. Slide the hose retainer onto the end of the rail. Position a wall bracket onto each end of the rail, ensuring the hole through the top of the rail lines up with the hole in a wall bracket.

4.4.3 Position the constructed rail on the wall, bearing in mind the different heights of people likely to use the shower and the length of the hose when connected to the shower and passed through the hose retainer. Mark the wall to indicate the upper and lower fixing screw position, ensuring they are straight.

NOTE: check for any hidden pipes and cables before drilling holes in the wall.

Tips:

A piece of insulation or masking tape positioned where holes are to be drilled and before marking out the exact position for the fixing holes will help stop the drill bit from wandering, particularly on a tiled surface.

When working near a basin, bath or shower insert plug or cover waste to prevent losing small parts.

Take care not to drop tools/equipment into basin, bath or shower during shower installation.

4.4.4 Drill the wall at the marked fixing positions to suit the wall fixings to be used, loosely fix the brackets, slide the shrouds into place and fit the rail. Check the positioning using a spirit level to ensure the rail is vertical.

4.4.5 Attach the showerhead to the hose and rest the showerhead within the slider bracket. Connect the other end of the hose to the shower valve.

Note: The conical hose end and not the handset handle, fits into the slider. Ensure the washer is fitted between the hose and the handset handle. The slider moves more freely on the rail if gripped next to the rail, rather than at the handset

CLR SHXDIVFF C (See Fig.2) Page 08

1. Top Bracket Assembly
2. Arm
3. Shower Rose
4. Rigid Riser Rail
5. Slider
6. Handset
7. Hose
8. Wall Mount Kit
9. Flow Handle Assembly
10. Flow Valve
11. Hose Connection
12. Thermostatic Cartridge
13. Cartridge Retaining Nut
14. Temperature Handle Assembly

CLR SHXMTFF C (See Fig.3) Page 10

1. Wall Mount Fixing Kit
2. Flow Handle Assembly
3. Flow Valve
4. Hose Connection
5. Thermostatic Cartridge
6. Cartridge Retaining Nut
7. Temperature Handle Assembly
8. Hose
9. Handset
10. Wall Bracket Assembly (x2)
11. Wall Bracket Shroud (x2)
12. Riser Rail
13. Riser Rail Cap (x2)
14. Slider
15. Hose Retainer

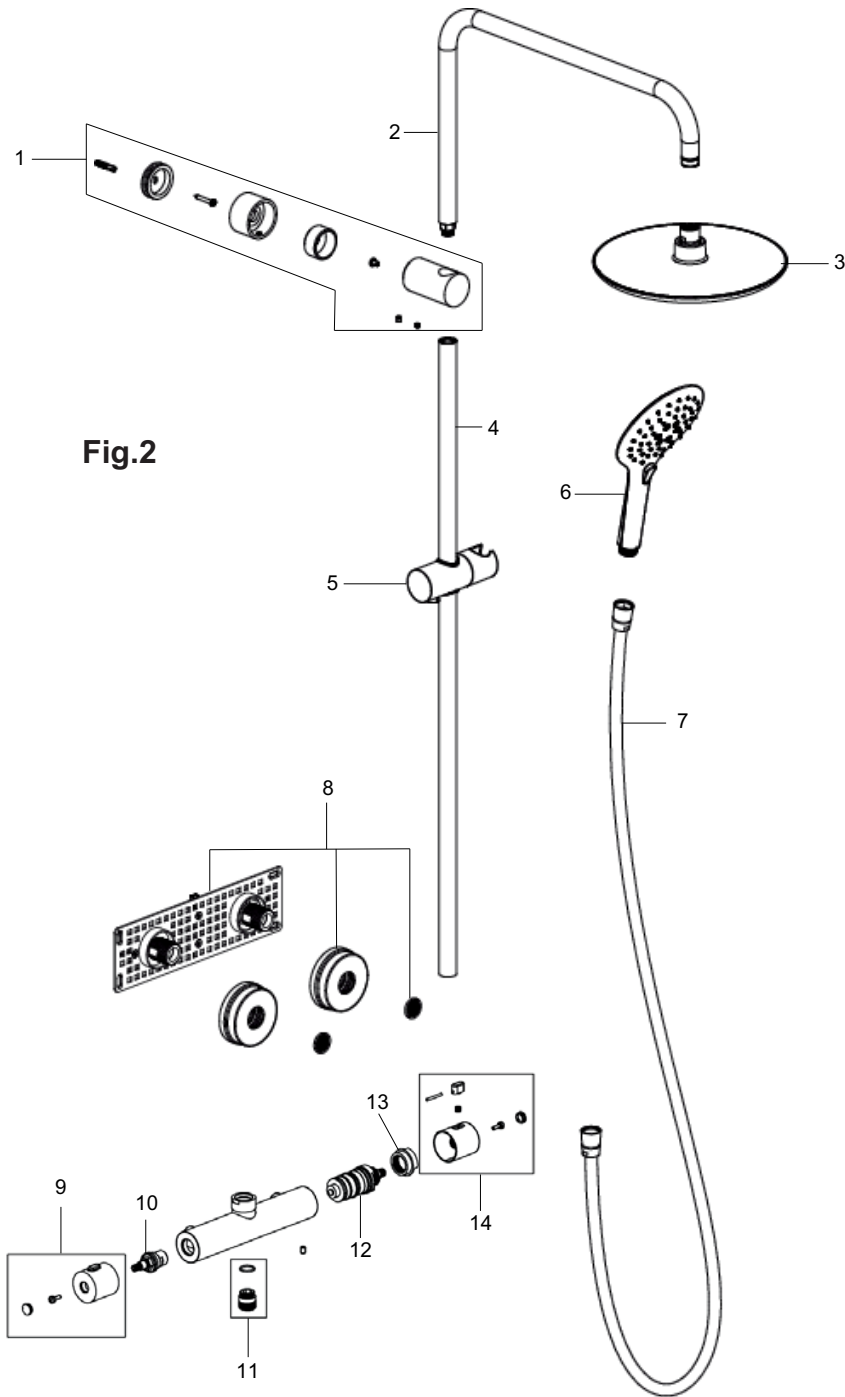


Fig.2