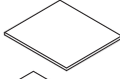
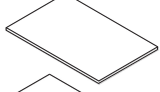
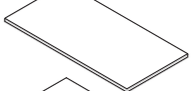

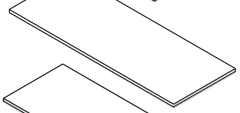

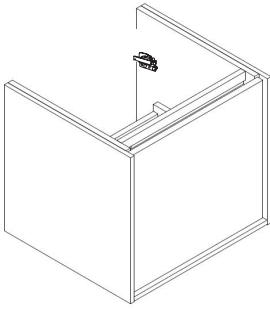

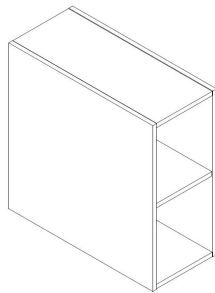
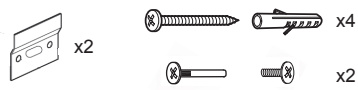


# BATHROOM FURNITURE RANGE

# INFINITY

Worktop	
	IF5100T 510mm 4Kg
	IF7100T 710mm 6Kg
	IF9100T 910mm 7Kg
	IF1010T 1010mm 8Kg
	IF1210T 1210mm 9Kg
	IF1410T 1410mm 10Kg

500 Basin Unit

IF5000D 20Kg


200 Basin Unit

IF2052 12Kg


To ensure full working use of the drawers we recommend the use of basin furniture trap BTR01410W.



**Tools & equipment needed:** Drill, 8mm Suitable drill bit, Screwdriver, Spirit level, Ruler/tape measure, Pencil, Silicone sealant (clear).




## IMPORTANT - Advice and safety - Please read before installation

**Please read these instructions carefully before starting installation and keep in a safe place for future reference.**

Check the contents of the pack carefully before installation. Crosswater will not be held responsible for any de-fit / re-fit costs where faulty product has been fitted.

If any fault is found with materials or workmanship, it must be reported immediately to the manufacturer. Remedial action will be taken, based on information received, on condition that:

1. Full details are supplied to the manufacturer; 2. The product has not been modified or tampered with; 3. The manufacturer is informed of any damage/shortages prior to installation.

We  not accept responsibility for any problems that may occur through incorrect installation.

### Advice & Safety

This product should only be installed by a suitably qualified Plumber/installer. Should the installation be completed by a non-qualified person any product guarantee maybe considered invalid. For a claim made under our warranty written certification of your installers qualifications can be required.

It is advised that all doors and drawers are removed prior to fitting to avoid unnecessary damage occurring.

Ensure the room is well heated and ventilated.

It is recommended that walls are fully tiled before furniture and accessory installation. This ensures that the product is installed flat to the tile face and allows product to be easily removed if required in the future.

These instructions have been prepared for your guidance, you must exercise due care always.

Please note that some units are heavy. Always take care when lifting, and follow health and safety guidelines. It is recommended that 2 people carry out the installation of larger basin/vanity units.

**Warning!** Please check for any hidden pipes or electrical cables before drilling holes in the floor or walls.

When using power tools always follow the manufacturer's user instructions.

Do not over tighten tap or waste fittings, doing so may result in damaging the basin.

The vanity units **CAN ONLY BE** installed using the fitting brackets supplied. Before installing a wooden bathroom product into a new property, extension or recently plastered room we strongly advise the building/room is completely dry, well ventilated and adequately heated prior to installation.

### Care & Cleaning.

**NEVER** use products containing bleach, cleaners of a gritty or abrasive nature or so called "glass and mirror" cleaning products. Use a well wrung chamois leather or microfiber cloth for furniture carcasses.

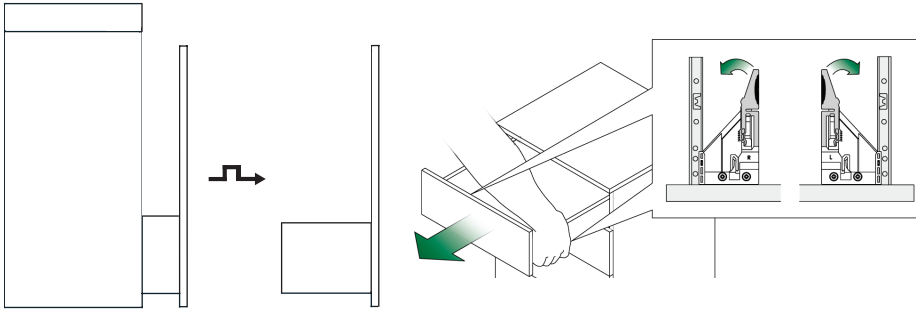
Ceramic fine fire clay wash basins should only be cleaned with a mild detergent or warm soapy water; in hard water areas a good quality limescale remover can be applied.

If any maintenance is required, then it must be carried out by a qualified Plumber.

## INSTALLATION INSTRUCTIONS

### One Drawer Basin Unit & Basin Installation - 500 Basin Unit

#### Step 1

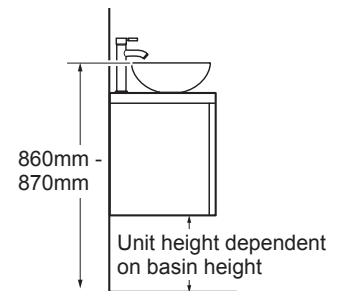


Pull out the drawer to its full extension, gently squeeze the locking levers outwards on both sides and pull the drawer off the runners at the front.

#### Step 2

##### Plan unit position

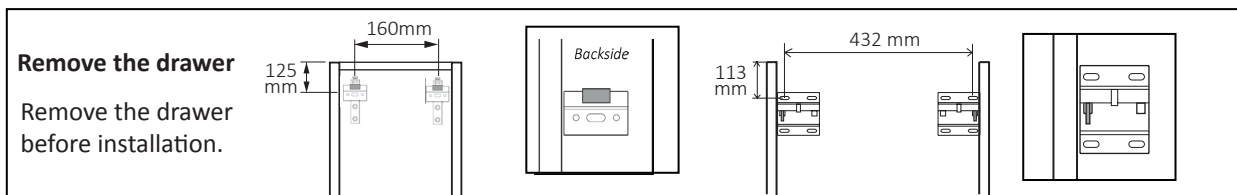
Decide on the position and height of the unit. The recommended basin heights are between 860mm and 870mm from floor to top of basin.



#### Step 3

##### a / Base Unit 200

##### a / Base Unit 500



**Remove the drawer**  
Remove the drawer before installation.

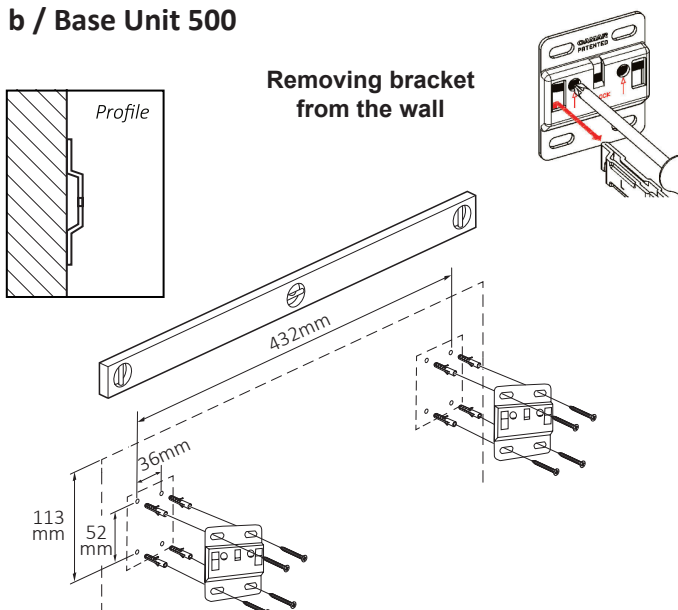
#### 'Wall bracket' installation

**a:** Place unit in the required position.

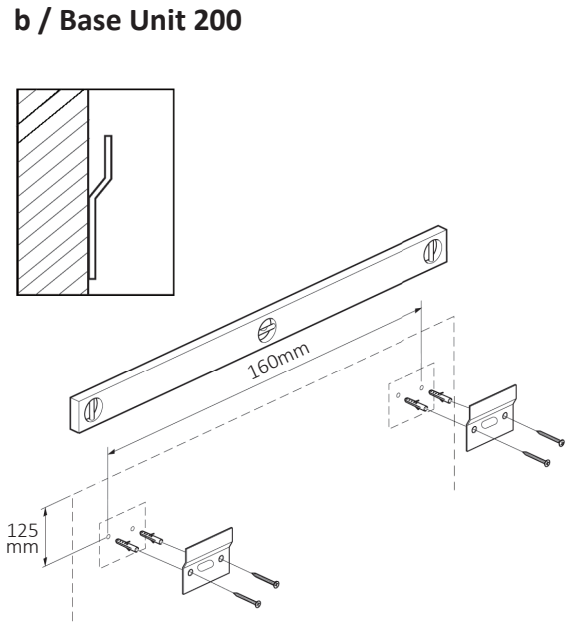
**b:** Mark the bracket fixing holes onto the wall. Drill  $\varnothing$  8mm holes, insert the wall plugs supplied on solid walls, use suitable wall fixings for dry-wall (not supplied).

**Important:** If the basin unit and/or basin are not fitted level this may result in the basin not draining correctly.

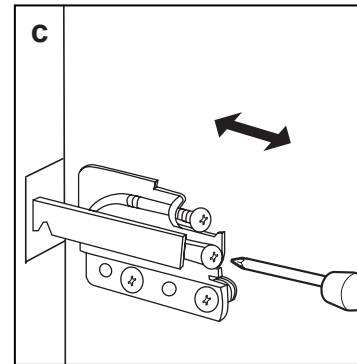
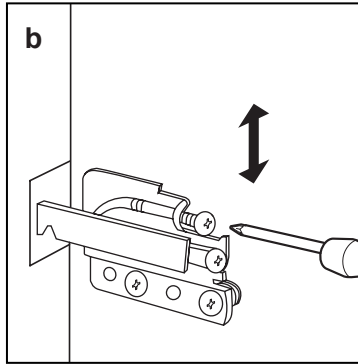
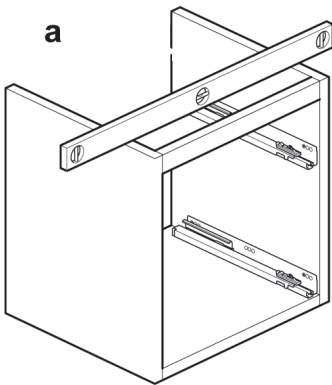
##### b / Base Unit 500



##### b / Base Unit 200



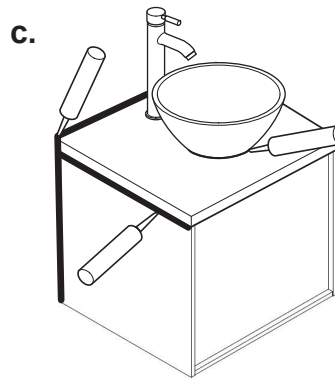
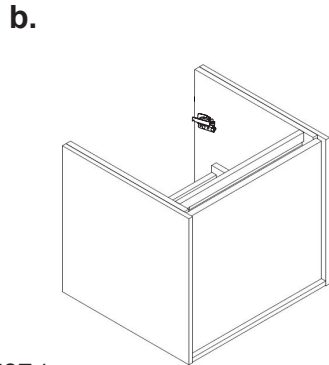
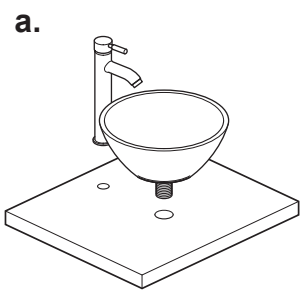
## Step 4



**a.** Check the unit is level. If levelling is required, use a screwdriver to adjust the hanging position. **b.** To lift or lower the unit, adjust the screw shown. **c.** To move the unit closer or further from the wall, adjust the screw shown.

## Step 5

### Worktop / Basin Installation



**a:** Prepare worktop for tap/s and basin. Cut holes where required using a suitable sized hole cutter.

**b:** Carefully apply silicone to the top edges of the unit.

**c:** Carefully position the worktop down onto the unit, ensure it is centrally positioned and flush at the back.

Connect the tap and waste. Apply silicone to the joint between the worktop and wall, down sides of the unit and around the base of the basin.

Leave silicone, 24 hours to dry.

**Important:** All cut edges **MUST** be sealed with water proof sealant or exterior wood vernish.

**Note:** Basin waste and taps fittings when over tightened can create stress within the basin material which may in time cause the failure of the product. Waste fittings should be carefully bedded in silicone and the back-nut hang tightened an additional quarter turn using a suitable spanner is sufficient to create the required water light seal. Care should also be taken when fitting brassware to tap platforms in order to prevent similar stress related failures.

## Step 6



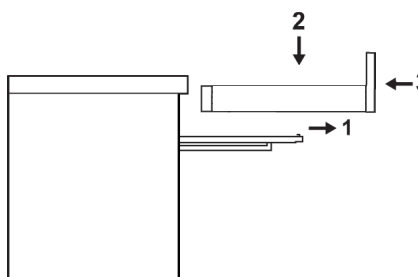
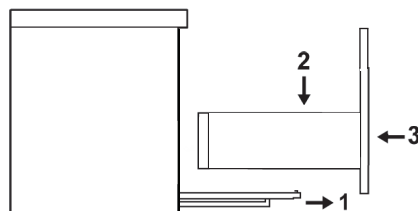
### Re-fit drawers:

(should be after furniture assembly below but before drawer adjustment)

- 1: Pull drawer runners fully out.
- 2: Set the drawer down onto the runners.
- 3: Push the drawer fully in.

Test to make sure the drawers operate correctly and there are no obstructions behind the drawer.

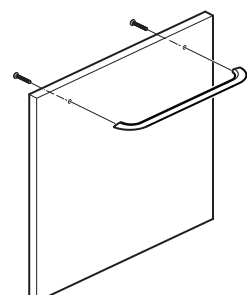
The internal drawer is optional. Please installation guide supplied with the product.



## Step 7

### Attach drawer handle

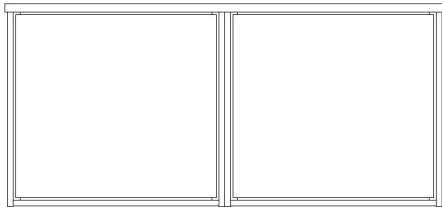
(should be after re-fit drawer but before drawer adjustment)  
(pre-fitted on inside of drawer)  
Attach the handle to the drawer front.



## BATHROOM FURNITURE ASSEMBLY

### HANGING THE FURNITURE

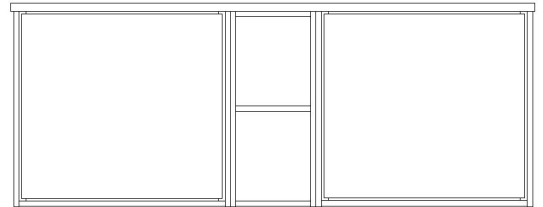
When installing two or more units, ensure the units are correctly positioned side by side, front to back and in height - the base of each unit should be level as shown in examples below.



50+50

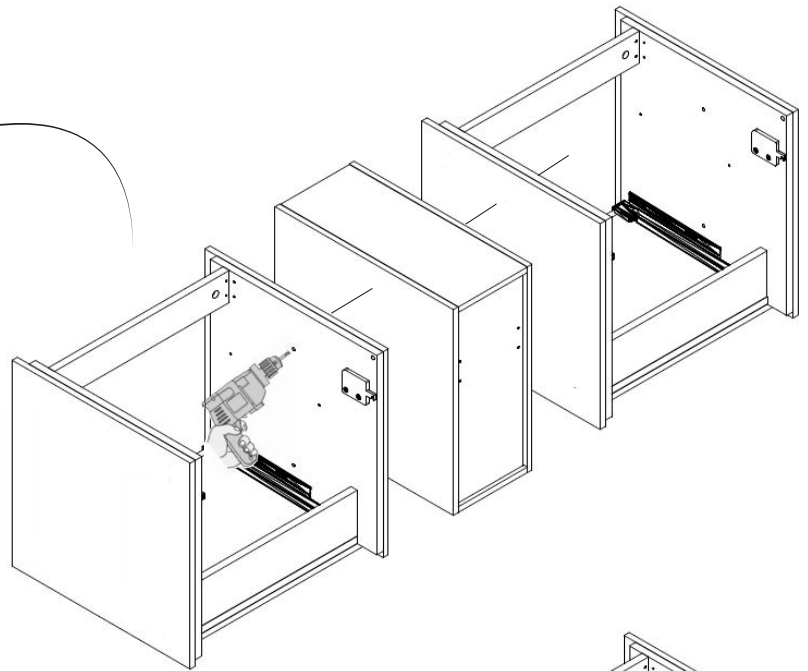
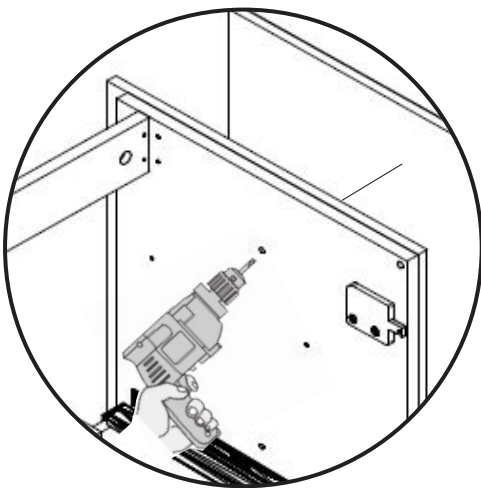


20+50

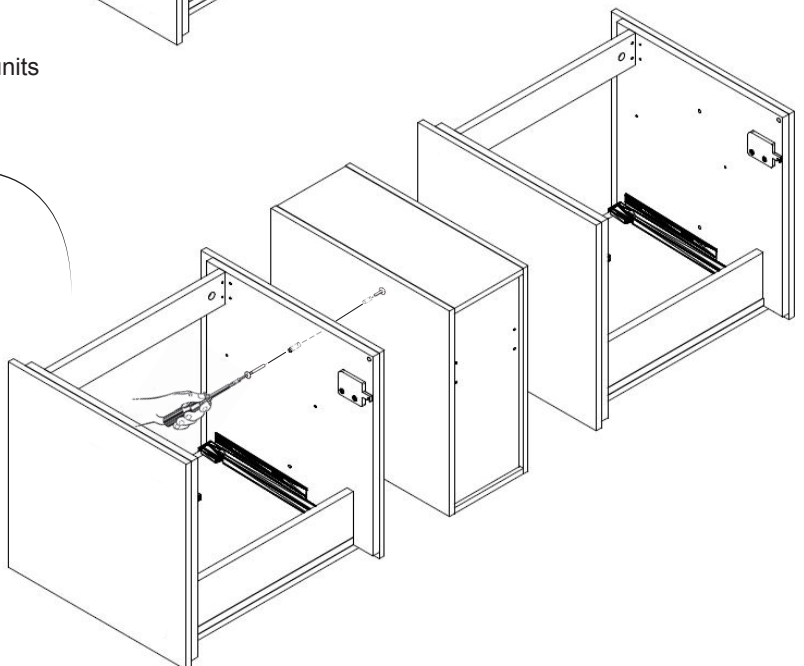
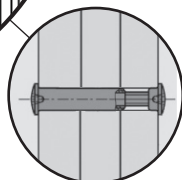
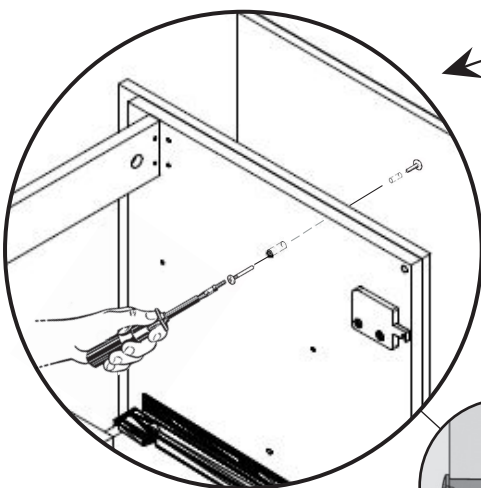


50+20+50

The internal carcass sides are pre-drilled for installing adjoining units as shown below



Using connector bolts provided secure the adjoining units

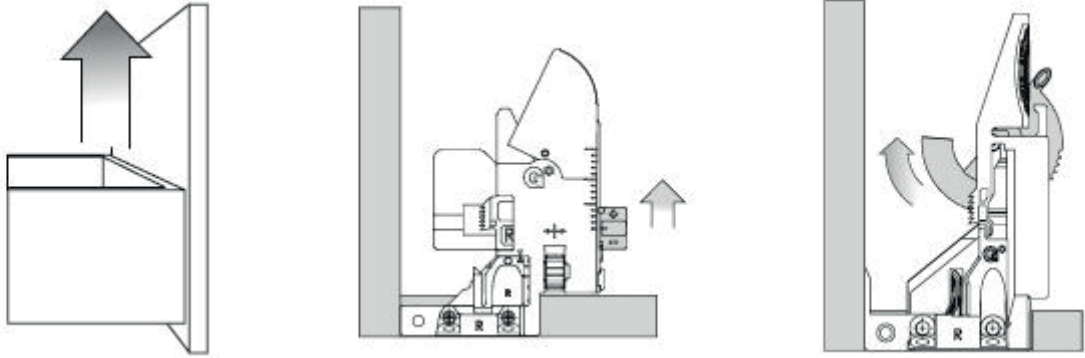


# DRAWER RUNNER ADJUSTMENT

## Step 1

### Front height adjustment

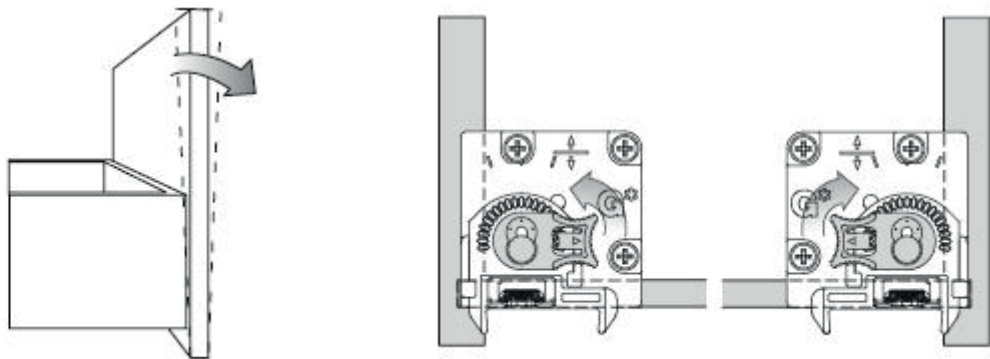
Max. + 3.5 mm



## Step 2

### Front tilt adjustment

Max. + 4.0 mm

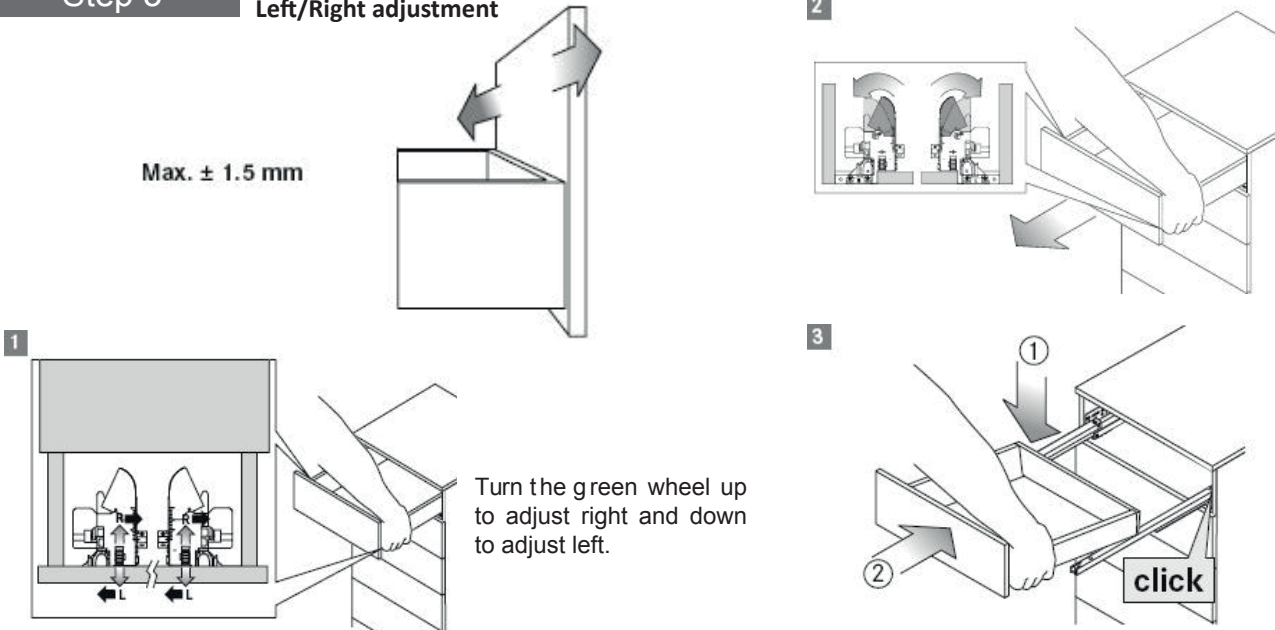


Move the green tab until the front tilt is adjusted.

## Step 3

### Left/Right adjustment

Max.  $\pm$  1.5 mm



Turn the green wheel up to adjust right and down to adjust left.

# crosswater™

For any further information please contact  
Crosswater on: **0345 873 8840**

Or visit our web-site at:

[www.crosswater.co.uk](http://www.crosswater.co.uk)

The manufacturer reserves the right to make technical modifications without prior notice.