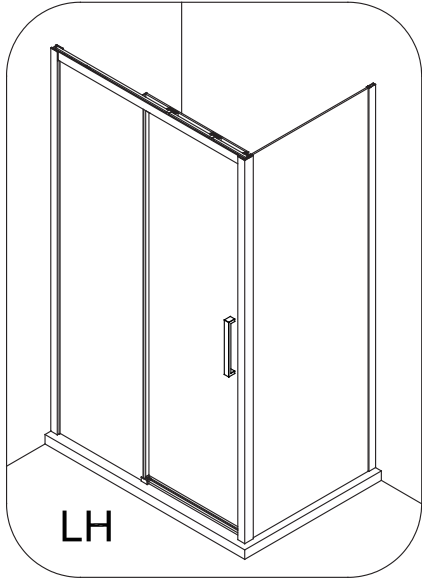
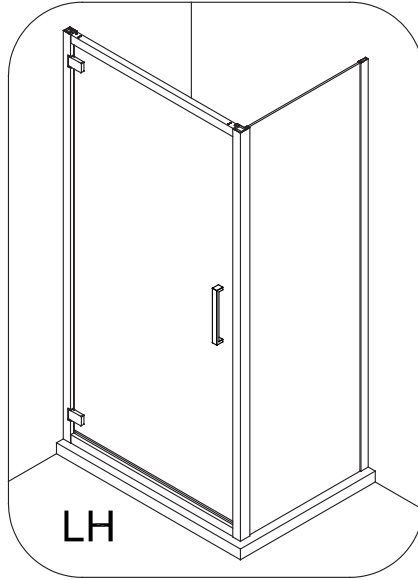


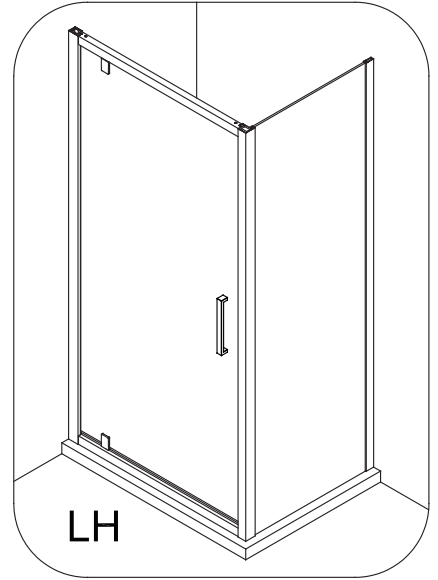
SET A



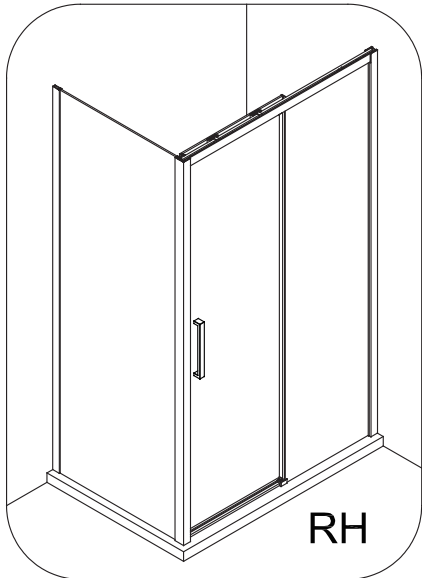
SET B



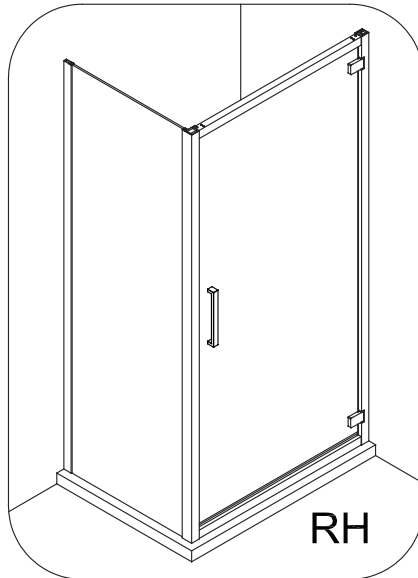
SET C



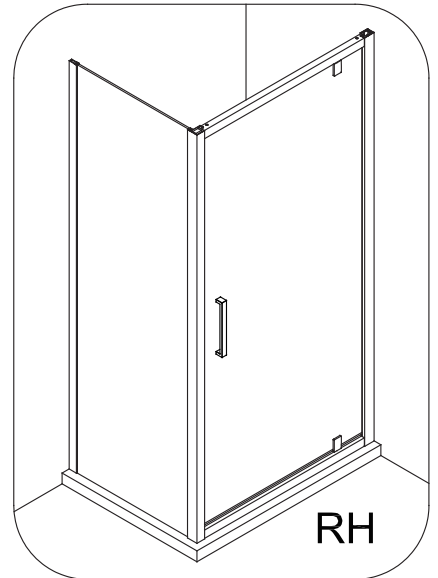
SET A



SET B



SET C



INSTALLATION INSTRUCTIONS

**crosswater**<sup>®</sup>  
SHOWERING

## IMPORTANT - Please read before installation

**Please read these instructions carefully before starting installation and keep in a safe place for future reference.**

Check the contents of the pack carefully before installation. Simpsons will not be held responsible for any de-fit / re-fit costs where faulty product has been fitted.

If any fault is found with materials or workmanship, it must be reported immediately to the manufacturer. Remedial action will be taken, based on information received, on condition that:

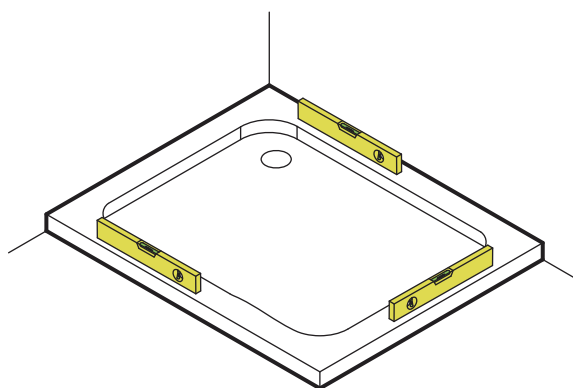
1. Full details are supplied to the manufacturer;
2. The enclosure has not been modified or tampered with;
3. The manufacturer is informed of any damage/shortages prior to installation.

We do not accept responsibility for any problems that may occur through incorrect installation.

The success of the installation and operation of any shower enclosure is, of course, dependant on the squareness, alignment and construction of the walls to which fixing is to be carried out.

### VERY IMPORTANT

You must complete all tiling and grouting, and the shower tray **MUST** be level and fully sealed to the tiles before installation. If you do not fit the enclosure onto a tiled surface, or seal the tiles to the tray before installation, water may soak into the wall behind the wall profiles.



## INSTALLATION - Advice and safety

The installation instructions are based on typical use and conditions.

These products come with the two wall channels pushed onto each side of the glass panel frame.

These hints have been prepared for your guidance, you must exercise due care at all times.

For Health and Safety 2 people must carry out the installation of this enclosure.

Handle glass with care. Although the glass supplied is toughened safety glass (EN12150), impacts can damage both the glass and the frame.

### Warning!

Please check for any hidden pipes or cables before drilling holes in the wall.

To stop the drill bit slipping, masking tape can be applied to the tiles when preparing the holes.

When using power tools always follow the manufacturers user instructions.

Do not sit the enclosure on a bed of silicone, as this will also stop any water from draining back into the tray.

If the enclosure is sealed to the tray on the inside, any water that may get into the framework will not be able to drain back into the tray, this may cause the enclosure to leak.

Leave the silicone sealant to dry for 24 hours before using the enclosure.

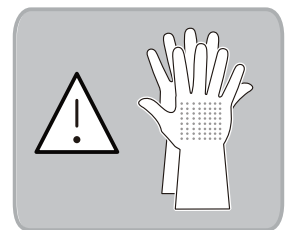
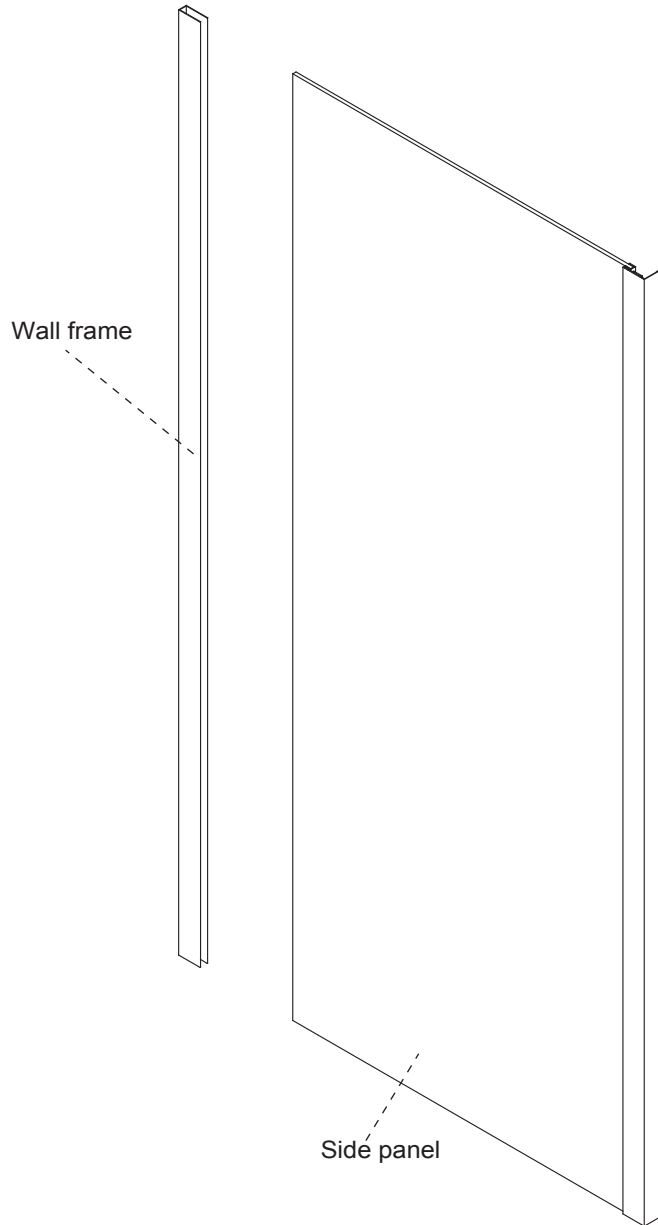
## CARE AND CLEANING

Do not use solvents or abrasive material or chemicals to clean the enclosure.


Only clean using soapy water and a soft cloth, rinse thoroughly afterwards.

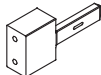
**CONTENTS**


**INFINITY SIDE PANEL**




**A**  Washer I x 3

**C**  Wall frame sealing strip II x 1

**E**  Adjustment block x 2

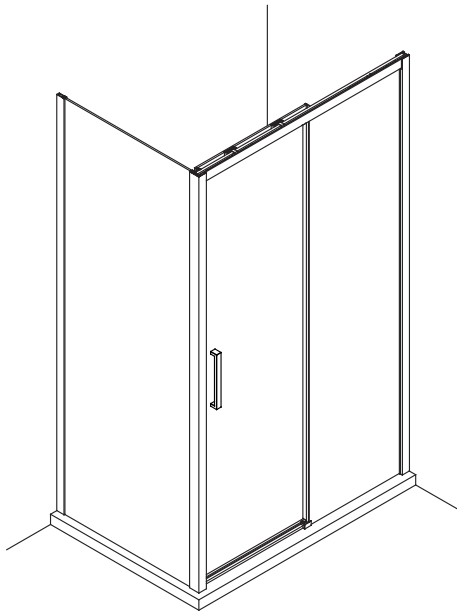
**B**  Wall frame sealing strip I x 1

**D**  Washer II x 2

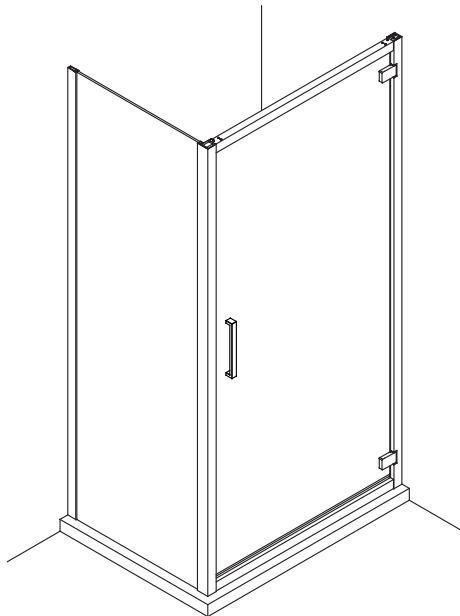
**F**  M4 \*10mm screw x 4

**Tools and equipment needed**

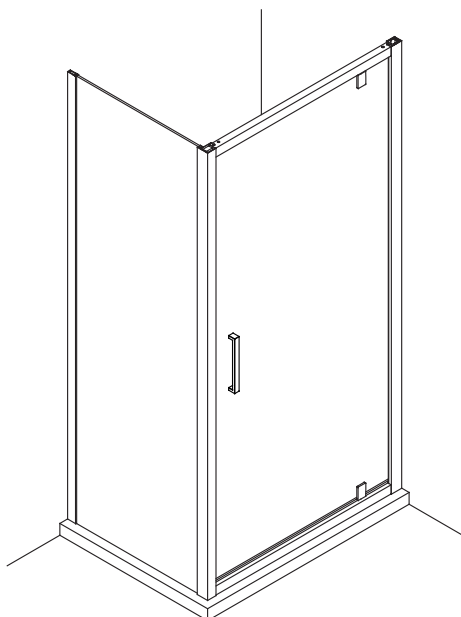
Drill, 6mm Masonry drill bit, 3.2mm General drill bit, Philips screwdriver, Spirit level, Pencil, Scissors, Silicone sealant.



SET A (ISPSC0800/0900 + ISLSC1200/1400/1700)  
See pages 4~6

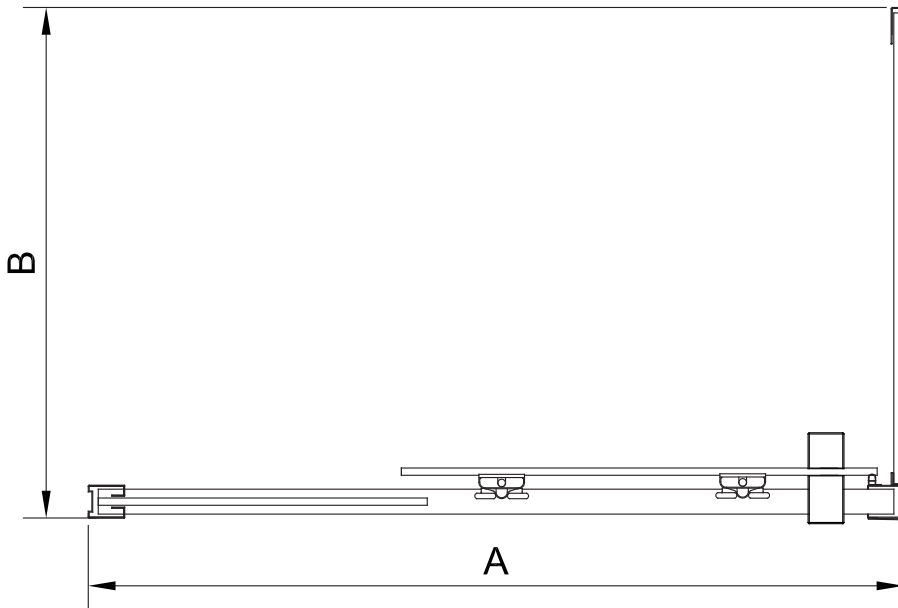


SET B (ISPSC0800/0900 + IHDSC0800/0900)  
See pages 7~9



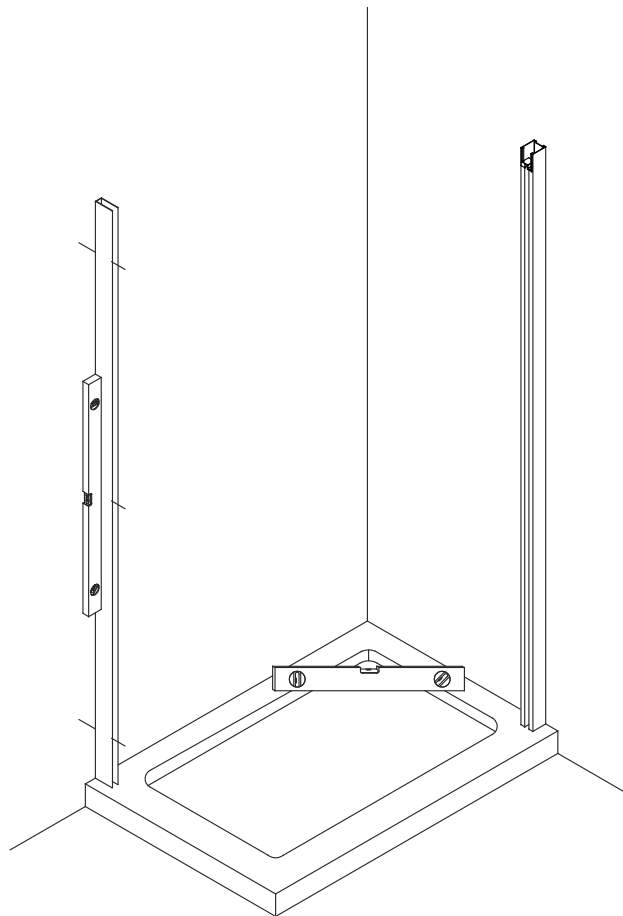
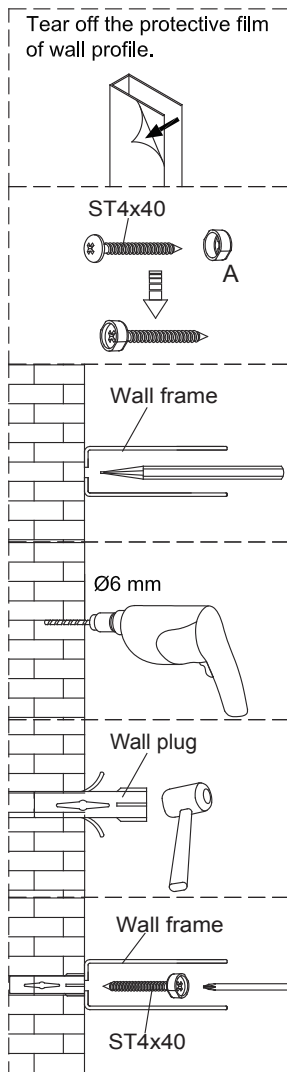
SET C (ISPSC0800/0900 + IPDSC0900)  
See pages 7~9

Step 1

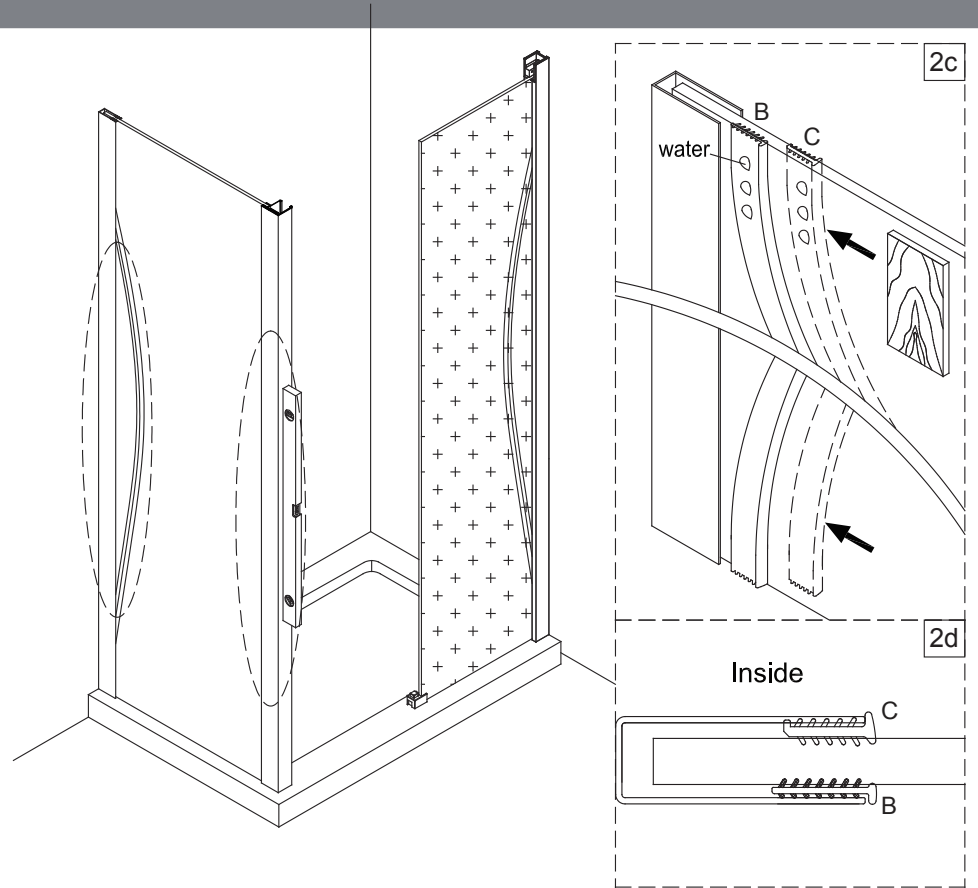
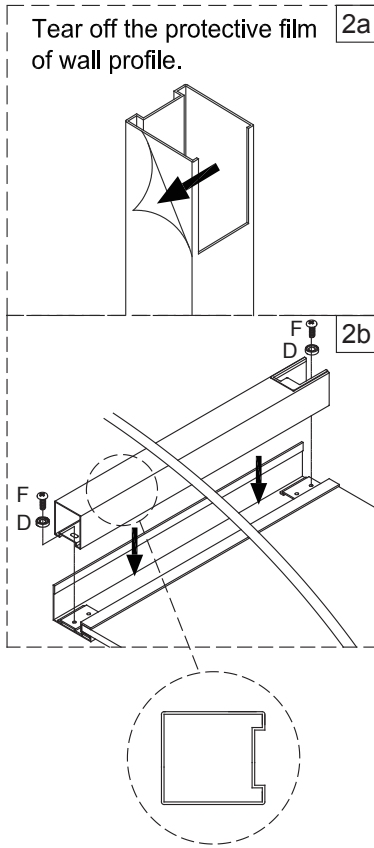


Model	A (mm)
<b>ISLSC1200</b>	1170~1190
<b>ISLSC1400</b>	1370~1390
<b>ISLSC1700</b>	1670~1690

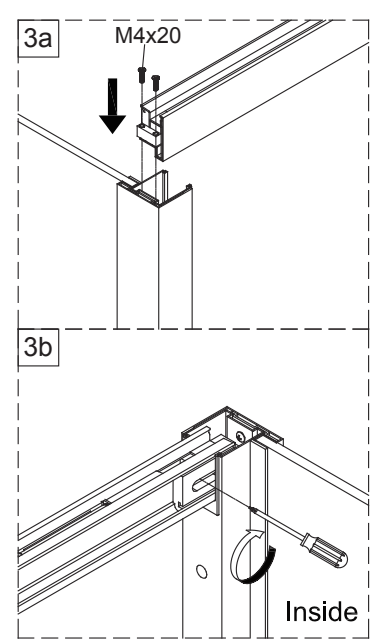
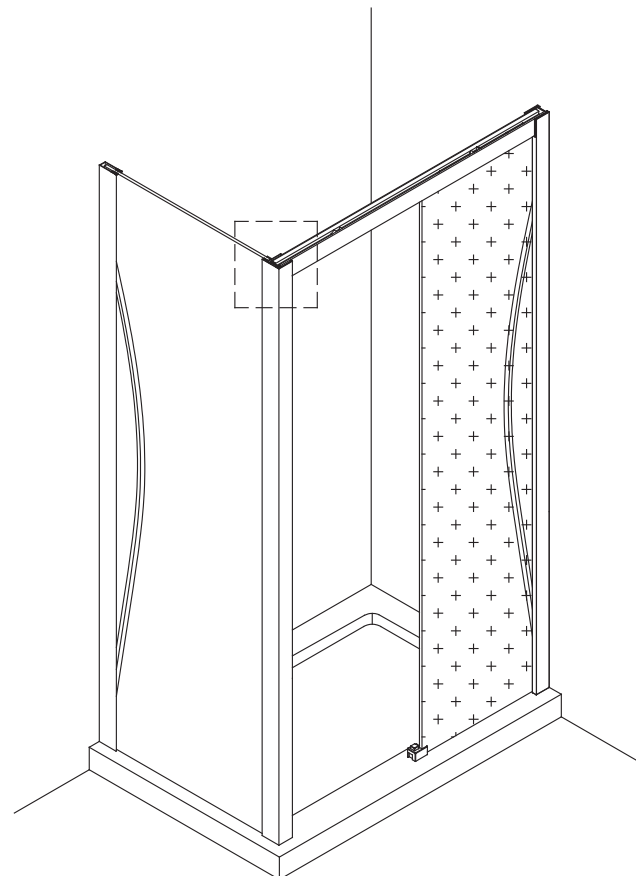
Model	B (mm)
<b>ISPSC0800</b>	770~790
<b>ISPSC0900</b>	870~890



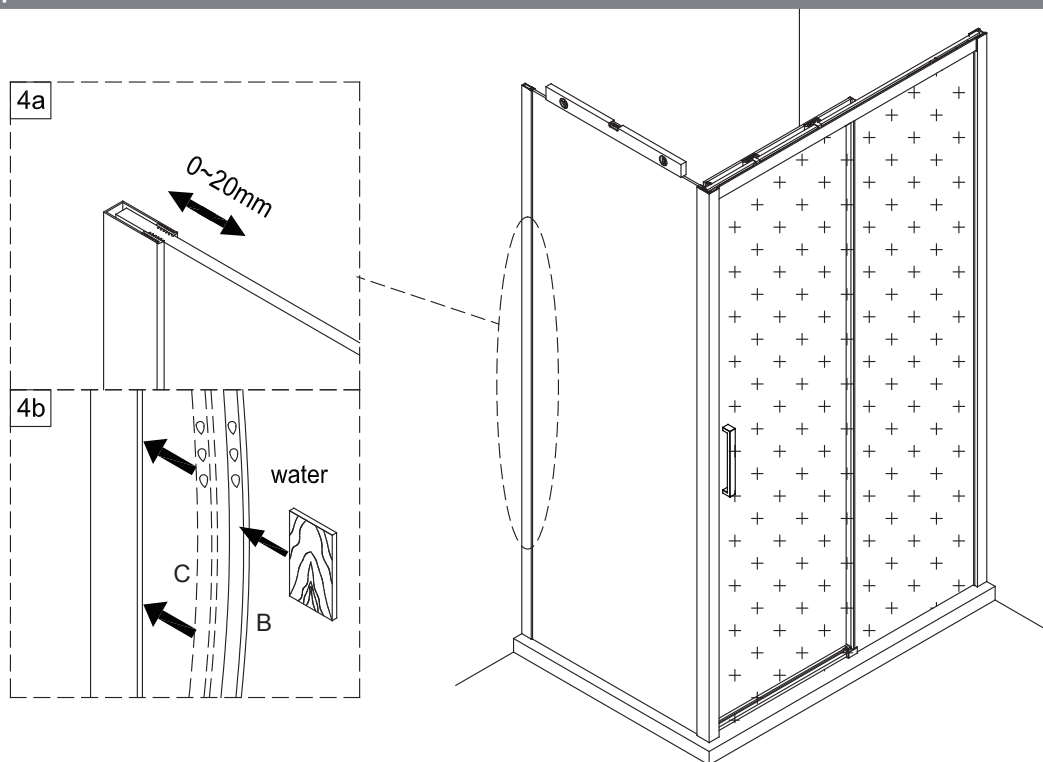
**Step 2**



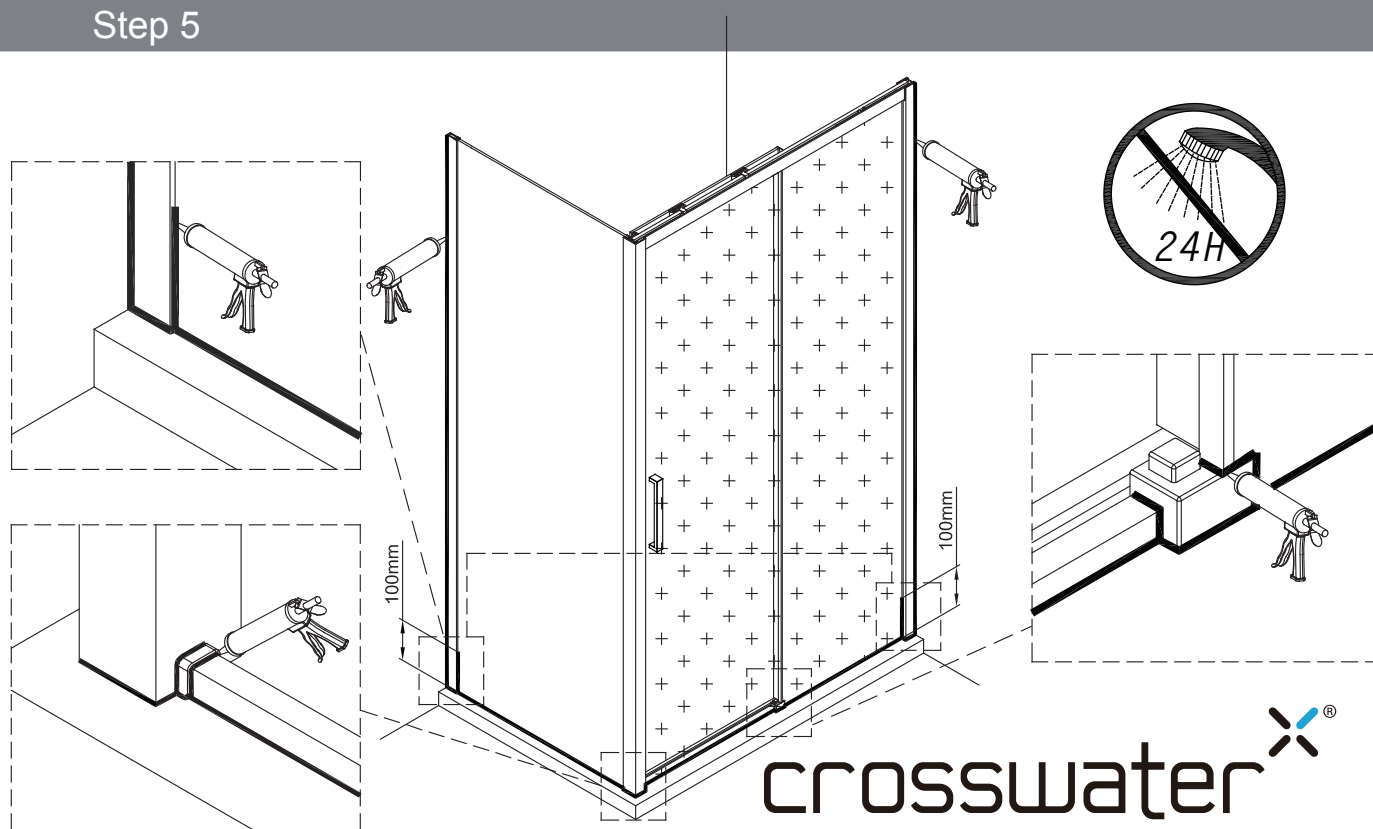
**Step 3**



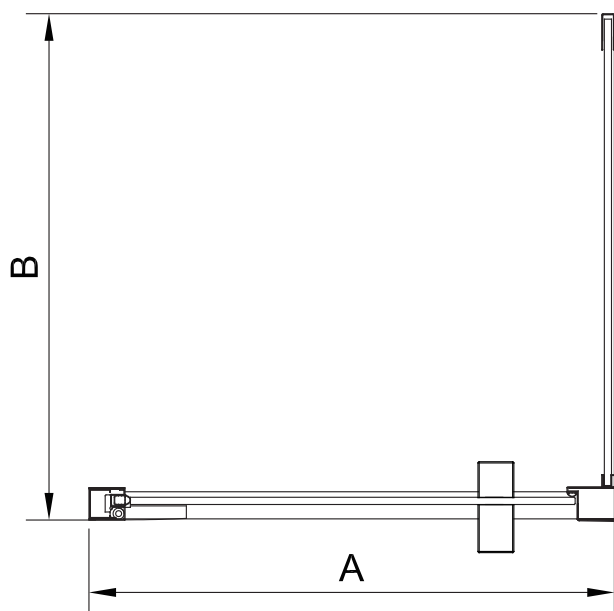
Step 4



Step 5

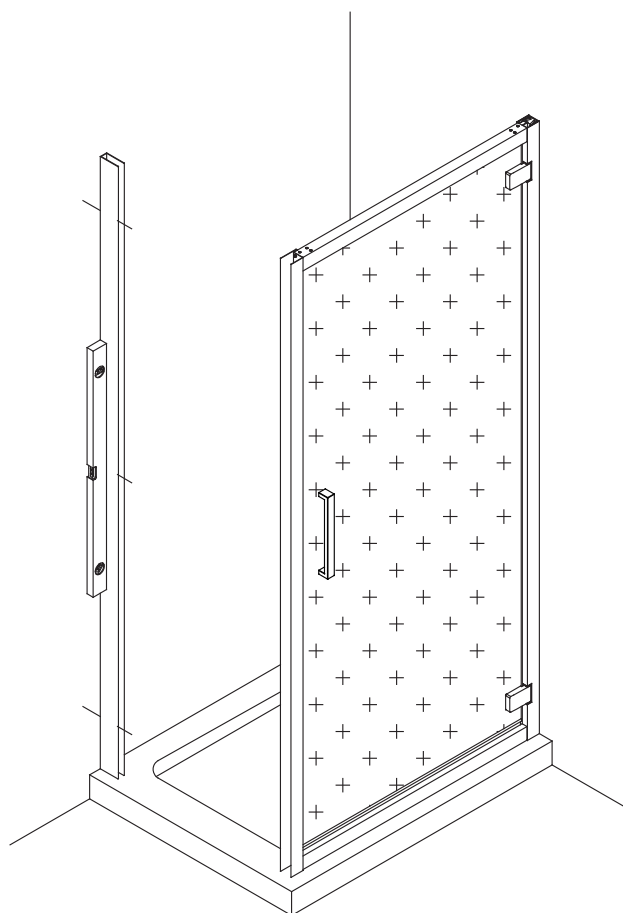
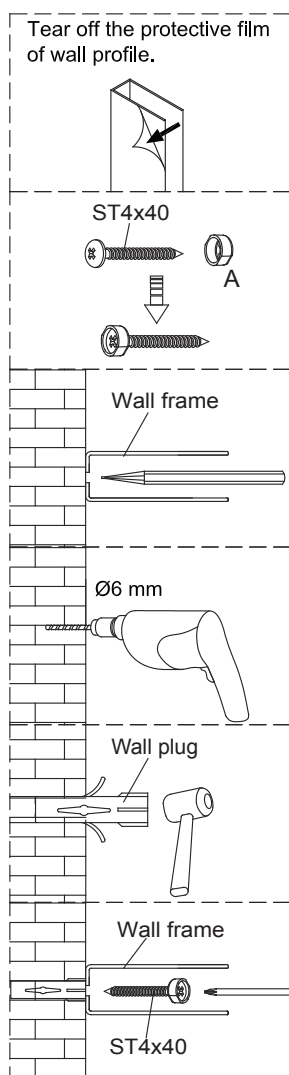


**Step 1**



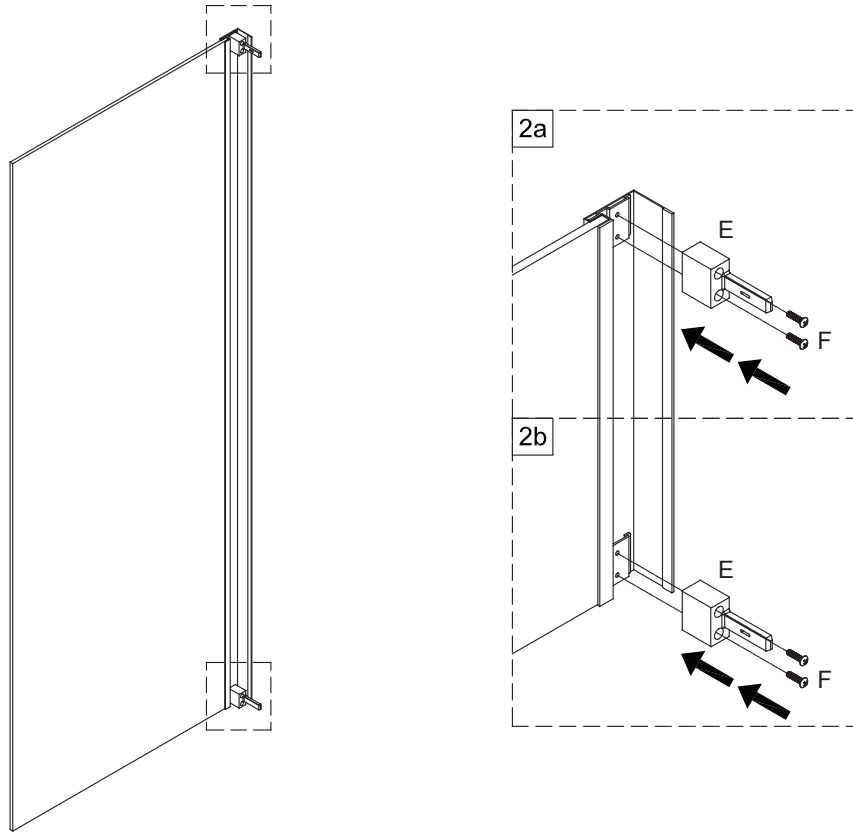
Model	A (mm)
<b>IHDSC0800</b>	770~790
<b>IHDSC0900</b>	870~890
<b>IPDSC0900</b>	870~890

Model	B (mm)
<b>ISPC0800</b>	770~790
<b>ISPC0900</b>	870~890

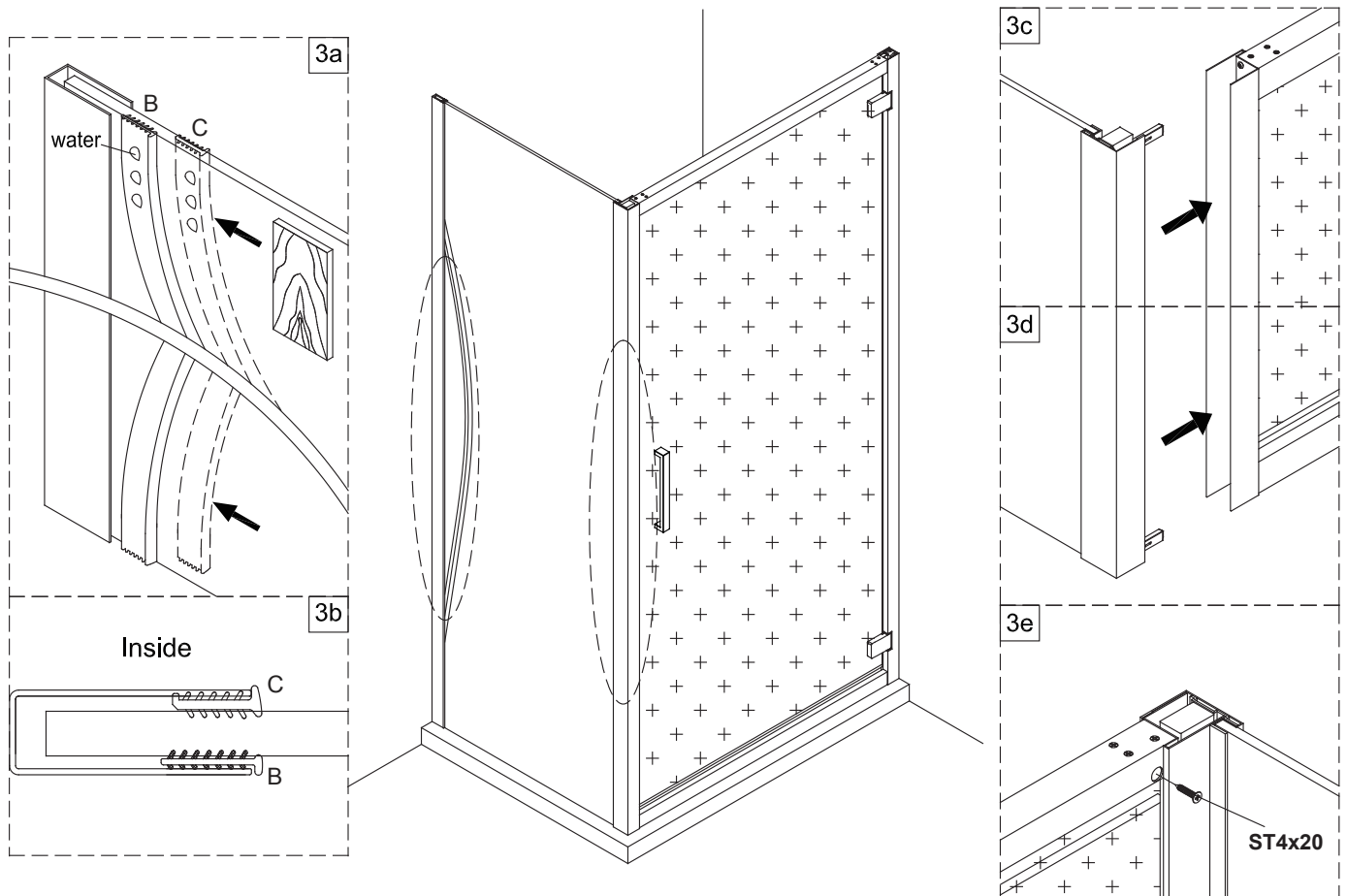




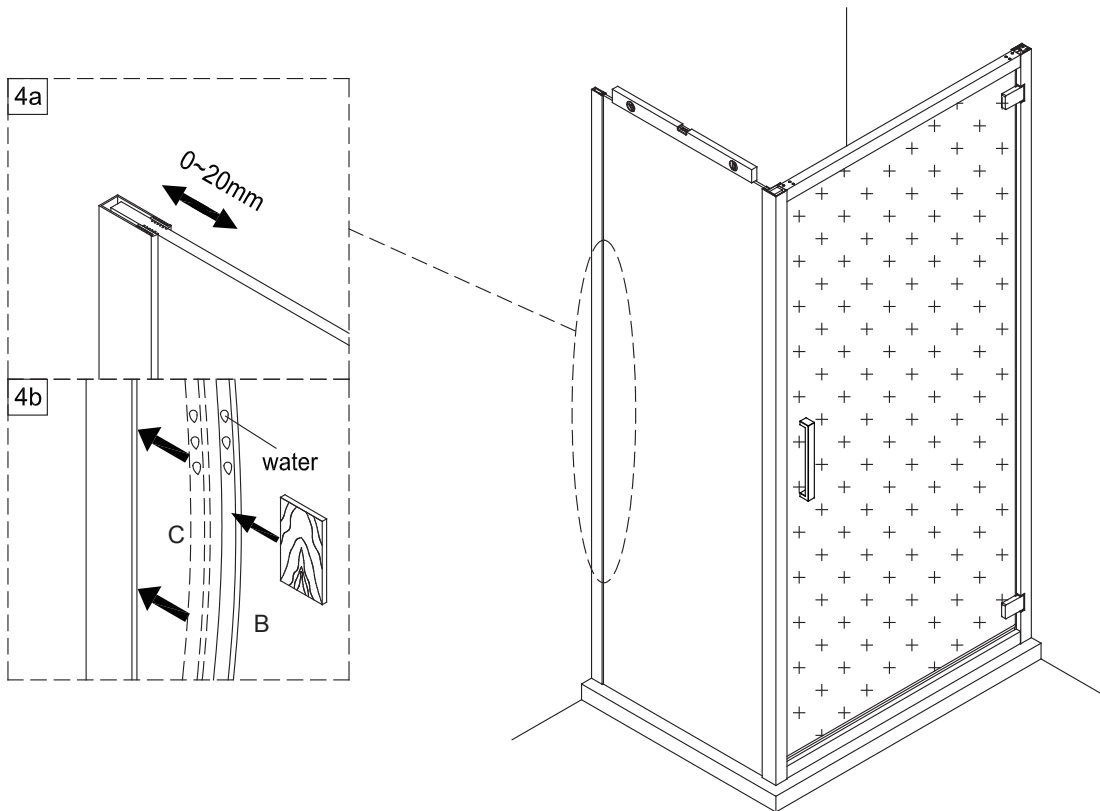
Step 2



Step 3



Step 4



Step 5

