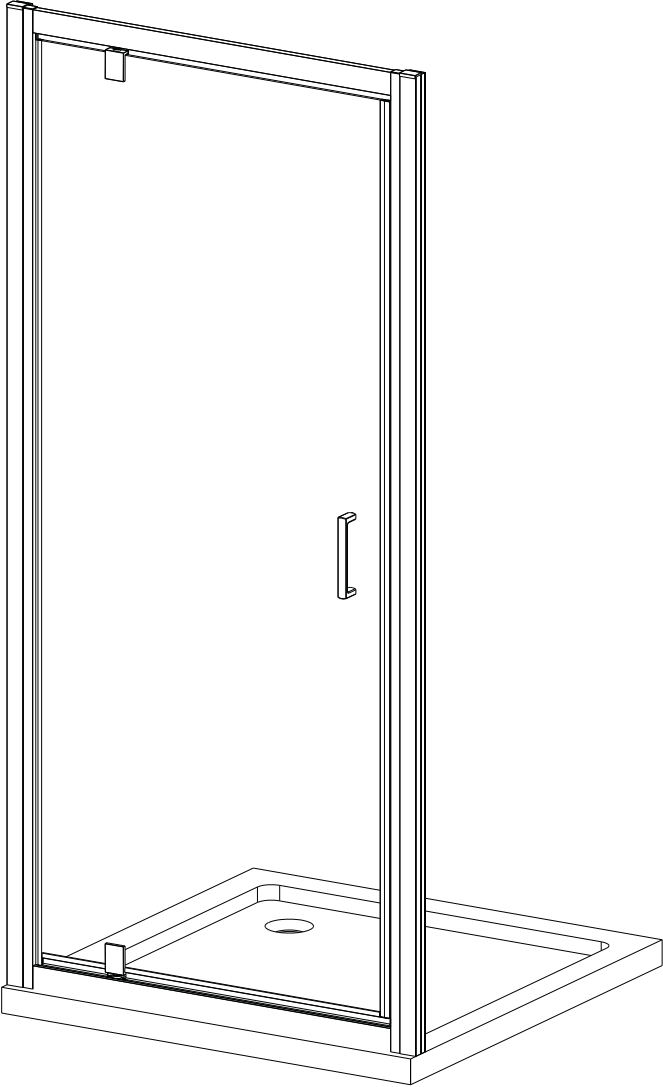


PIVOT DOOR

MBOX
Created by
MERLYN



INSTALLATION GUIDE

IMPORTANT:Please read the complete instructions before commencing fitting.

Make sure the tray is 100% level in all directions.

Check that you have the tools required.

Check the installation site is compatible with the size of door supplied.

Check all the enclosure components are present.

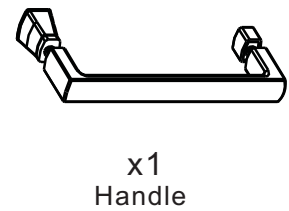
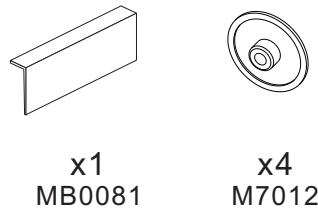
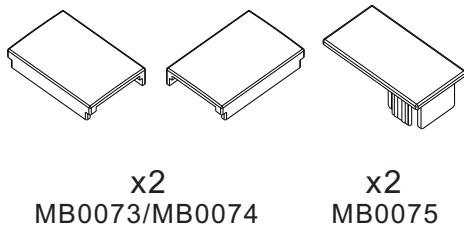
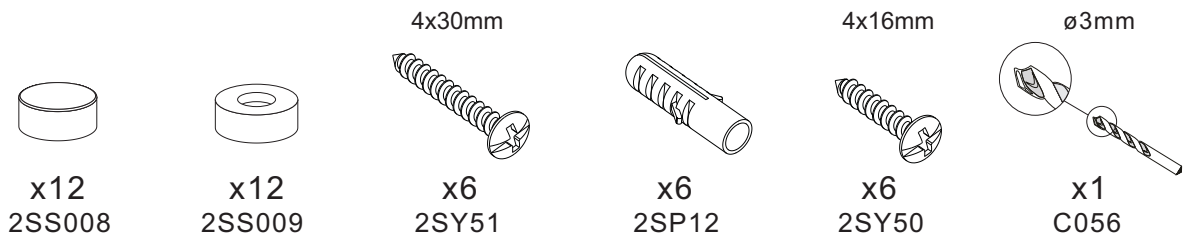
Check the installation kit is complete.

Do Not attempt to install the product unless you can tick all 4 boxes.

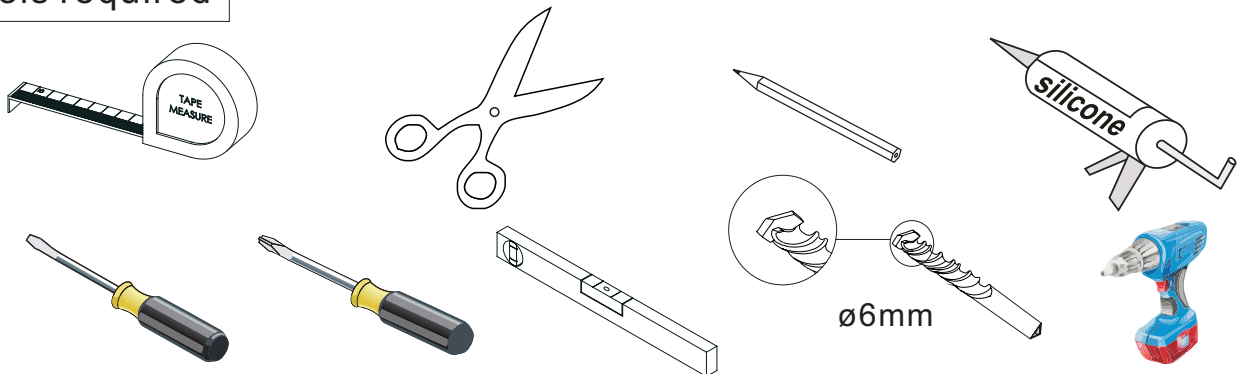
The wall plugs supplied with the installation kit are for use in solid walls. Hollow or 'stud partition' walls will require alternative fixings. Please consult a hardware supplier for the correct type. It may also be necessary to consult your tiling supplier about the correct method for drilling your tiles.

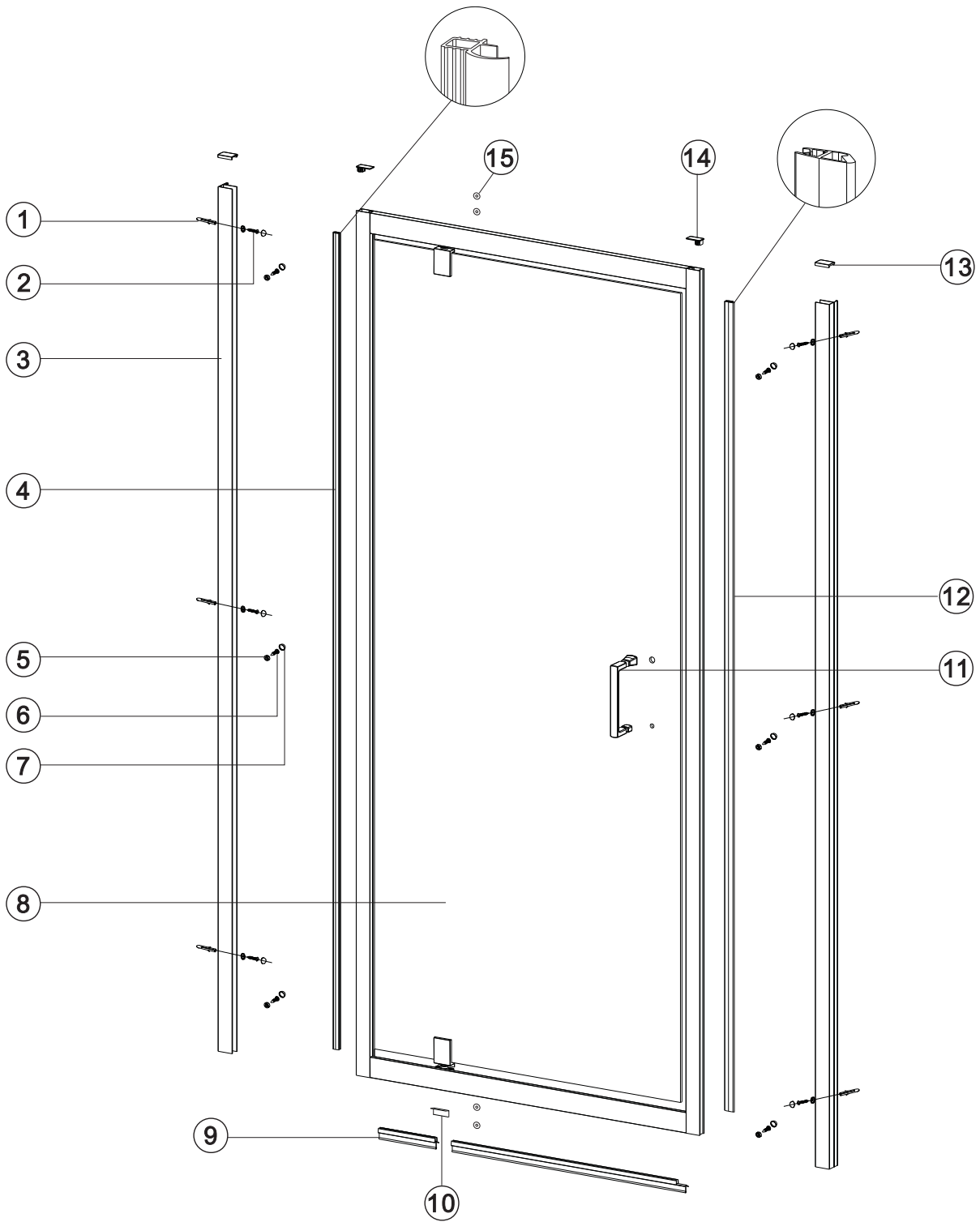
ATTENTION: TAKE EXTREME CARE WHEN HANDLING GLASS, WEAR PROTECTIVE EYEWEAR AND CLOTHING. DO NOT LEAVE THE GLASS ON HARD SURFACES AND AVOID CONTACT BETWEEN THE GLASS EDGES AND HARD SURFACES OR IMPACTS DURING THE INSTALLATION.

Fixing kit components



Tools required





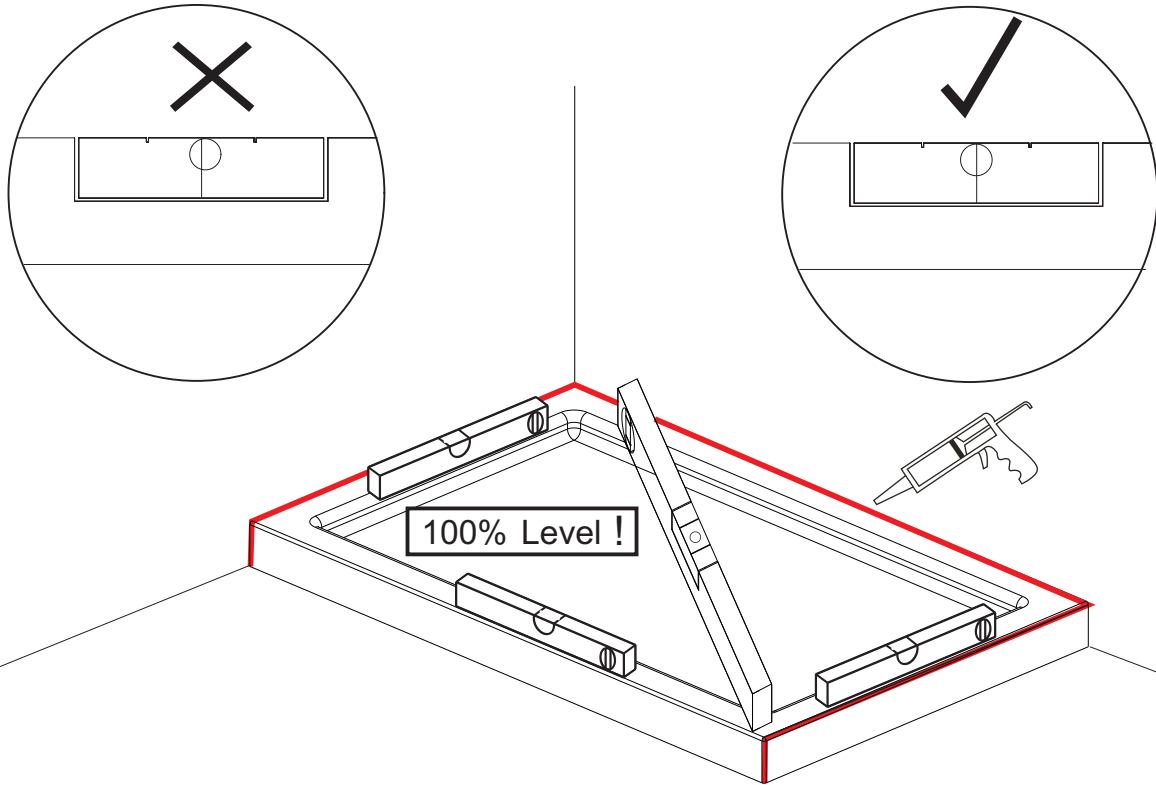
No.	Qty	Part No.
1	6	2SP12
2	6	2SY51
3	2	MB0001
4	1	MB0053
5	12	2SS009

No.	Qty	Part No.
6	6	2SY50
7	12	2SS008
8	1	A
9	2	MB0054
10	1	MB0081

No.	Qty	Part No.
11	1	Handle
12	1	MB0045
13	2	MB0073/MB0074
14	2	MB0075
15	4	M7012

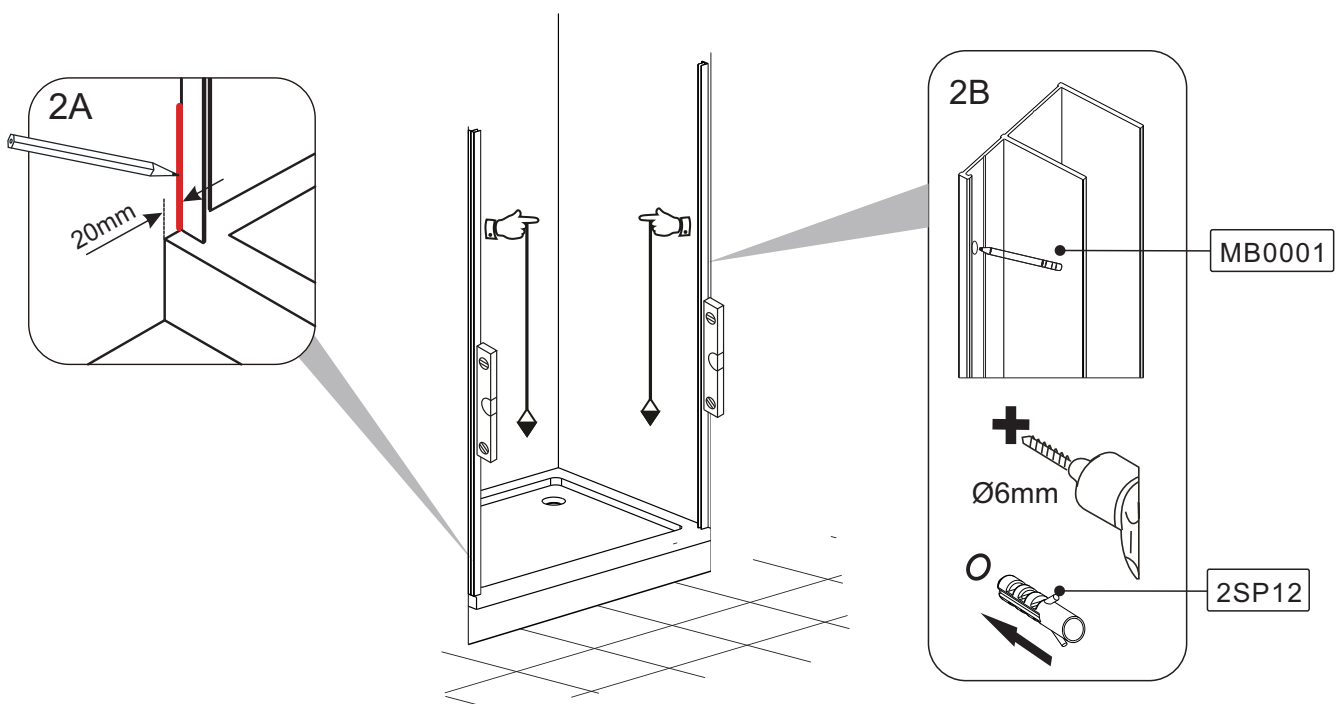
1

Please ensure your tray is 100% level in all directions before you fit your enclosure

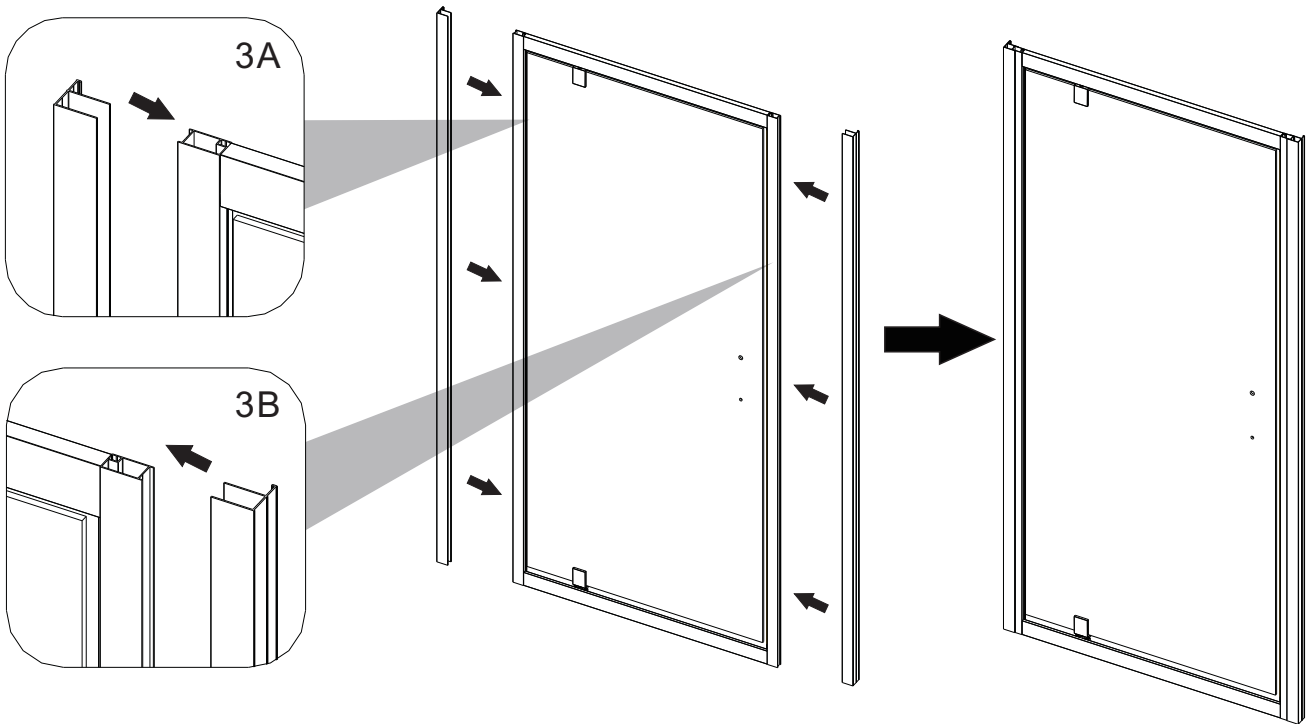


2

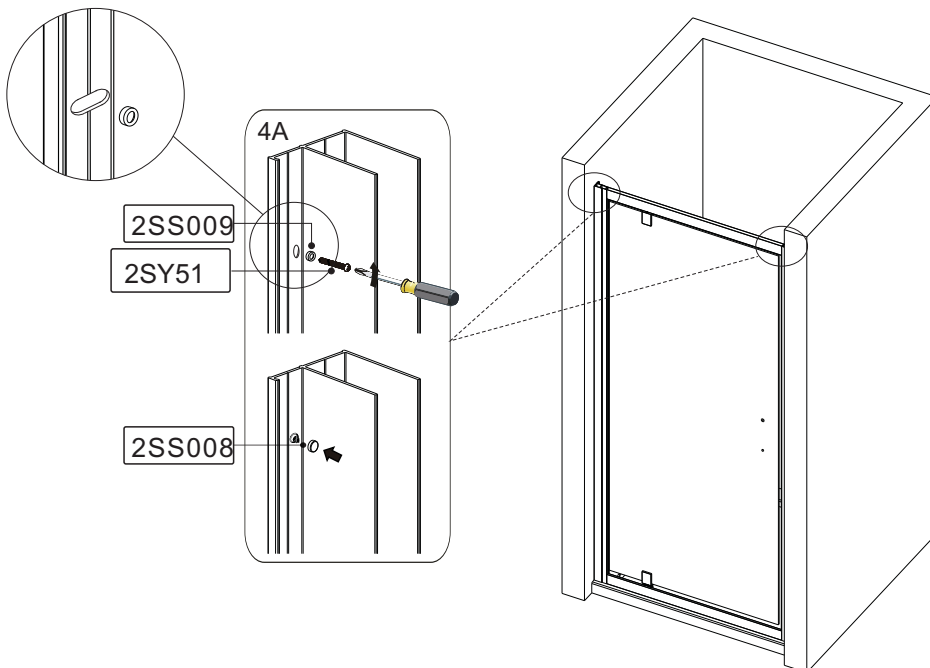
Determine your step in from the edge of the tray. 20mm is recommended. Plumb your wall profiles on each side then mark and drill your fixing positions. You can then remove your wall profiles and begin the frame assembly off the tray.



- 3 When fitting a fully framed product into a recess you must push the wall profiles onto the uprights and then lift onto the tray. This is done as fitting the wall profiles first in a tight recess may lead to difficulty later when fitting the door.



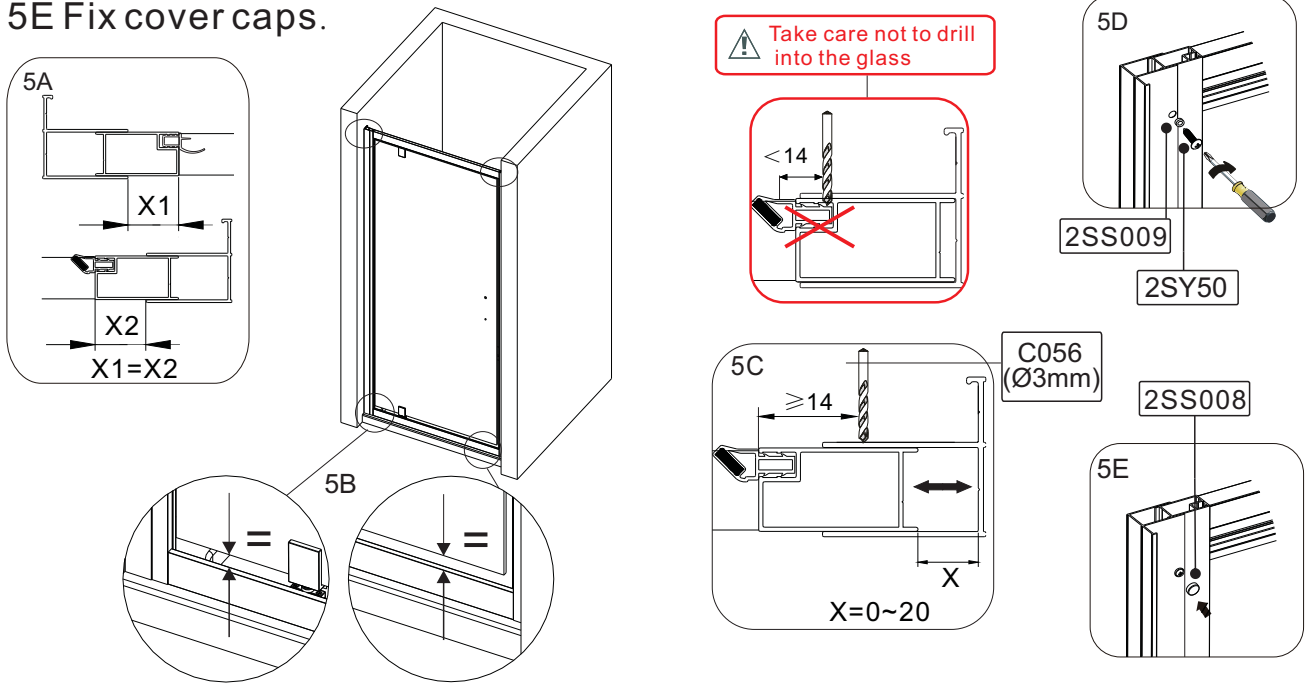
- 4 When the enclosure is in position fix the wall profiles to the walls using the fixing screws provided.



NOTE! Fix the screw through the center of the slot. This is necessary to allow enough room either side for the screw cover caps

5

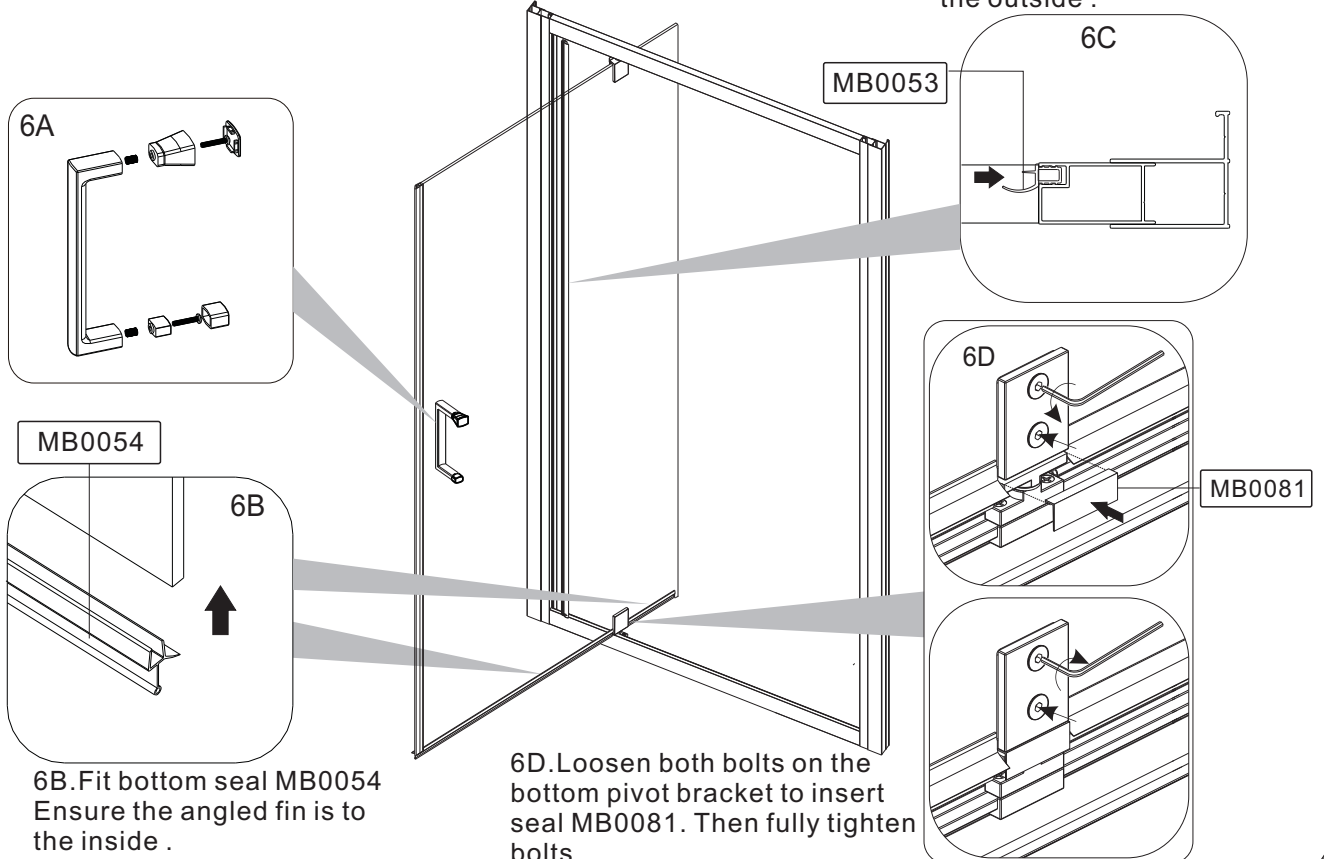
- 5A Equalise the adjustment of the frame in the wall profile on both sides.
- 5B Make sure the gap between the bottom edge of the glass and the frame is equal on each side.
- 5C From inside drill the frame top, middle and bottom making sure to step in a Min. 14mm from the edge of the frame.
- 5D Fix the frame with screws and cover clips.
- 5E Fix cover caps.



6

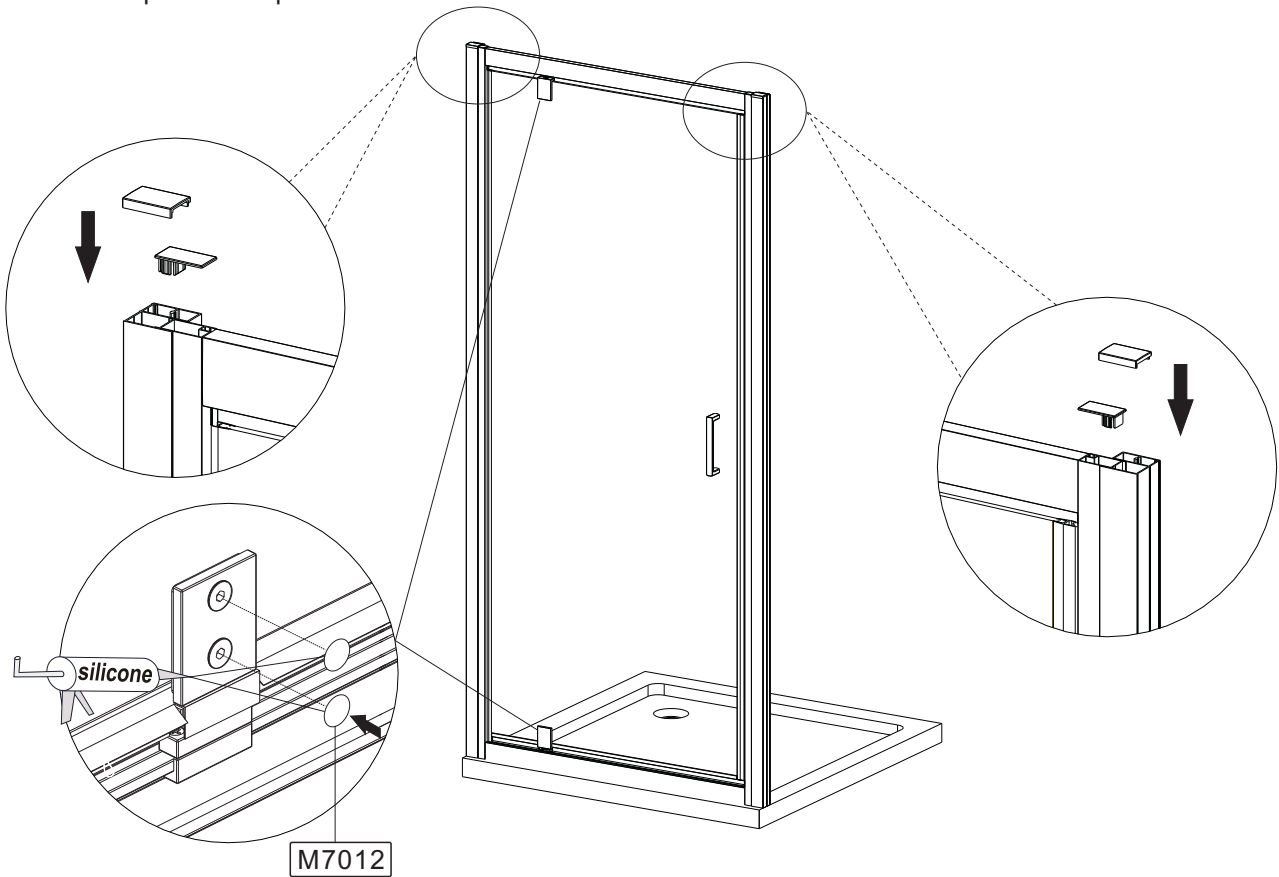
Fit the handle

Fit upright seal MB0053
Ensure the long fin is to the outside .



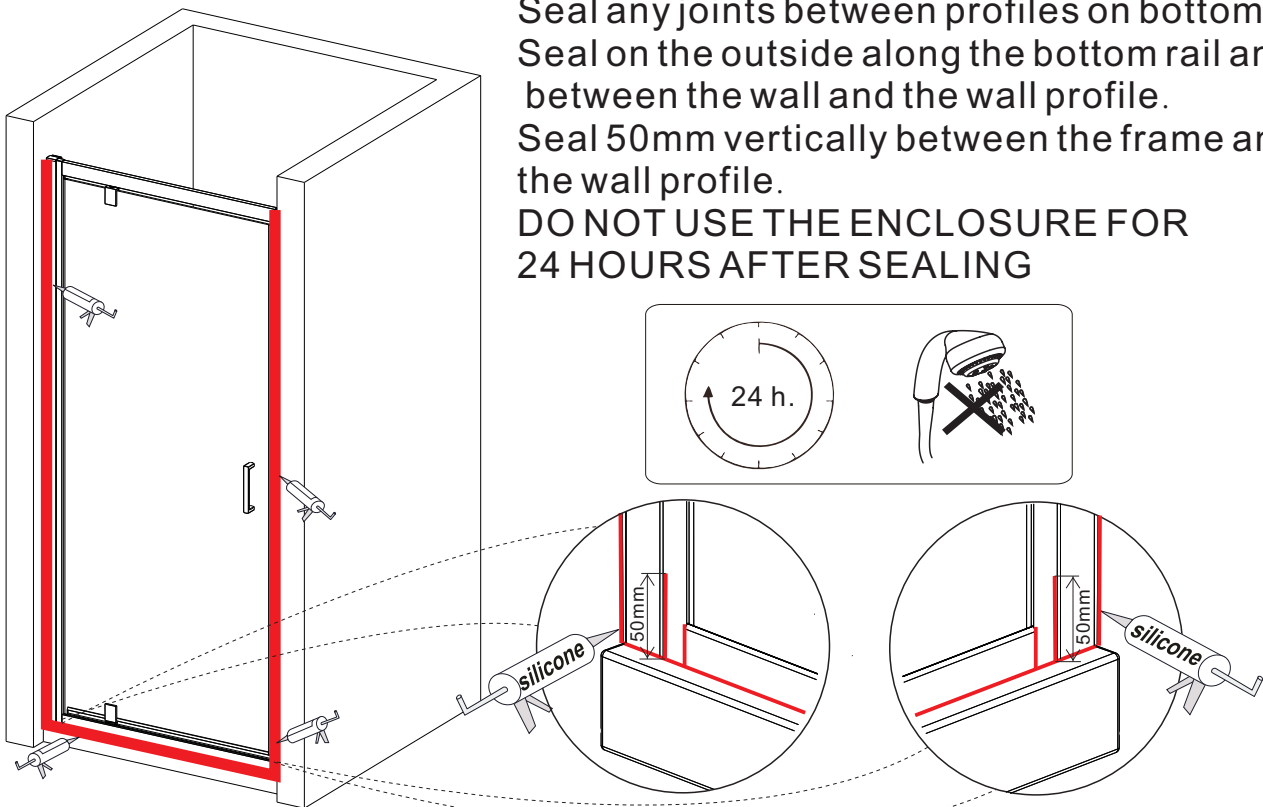
7


Fit the top cover caps



8

Use a quality sealant to seal the finished door. Seal any joints between profiles on bottom. Seal on the outside along the bottom rail and between the wall and the wall profile. Seal 50mm vertically between the frame and the wall profile.
DO NOT USE THE ENCLOSURE FOR 24 HOURS AFTER SEALING



	
Merlyn Industries LTD (MER09)	
DOP:CENMB1.1	
16	
EN 14428	
Shower enclosures with aluminium profiles and safety glass	
Cleanability	:Pass
Impact resistance/ shatter properties	:Pass
Durability	:Pass

To download the Declaration of Performance (DOP) for this product please use the link below.
<https://merlynshowering.com/wp-content/uploads/2016/11/New-MBox-Enclosures-DOP-CENMB1.1.pdf>