

## **AFTERCARE INSTRUCTIONS**

Your fitting has a high quality finish and should be treated with care to preserve the visible surfaces.

All surface finishes will wear if not cleaned correctly, the only safe way to clean your mixer is to wipe with a soft damp cloth. Stains can be removed using washing up liquid. All bath cleaning powders and liquids will damage the surface of your fitting, even the non-scratch cleaners. **NOTE: Never use abrasive detergents or disinfectants or those containing alcohol, hydrochloric acid or phosphoric acid.**

Bristan recommend E-Cloth for cleaning all of our bathroom & kitchen products. Using just water, E-cloth gives a smear free, deep clean by breaking up and holding dirt, which normal cloths leave behind. Order through your Bristan stockist. (ORDER CODE: ECLOTH)



### **PRODUCT IDENTIFICATION CODE LASER ETCHED ON PRODUCT**

Installer please fill in code here \_\_\_\_\_.

### **TELEPHONE HELPLINE: 0844 701 6273**

Bristan Group Limited  
Birch Coppice Business Park  
Dordon  
Tamworth  
Staffordshire  
B78 1SG  
UK  
A Masco Company  
Website: [www.bristan.com](http://www.bristan.com)  
Telephone: 0844 701 6274  
Facsimile: 0844 701 6275  
Email: [enquire@bristan.com](mailto:enquire@bristan.com)

# BRISTAN

## Orta Tap Range

## Fitting Instructions & Contents List

Before starting any installation project please consider:

Prior to drilling into walls, check there are no hidden electrical wires, cables or water supply pipes with the aid of an electronic detector. If you use power tools do not forget:

- Wear eye protection
- Unplug equipment after use



**Please keep these instructions for future reference and request of replacement part**

# CONTENTS

<u>Description</u>	<u>Page Number</u>
Contents	1
Water Pressure & Safety Note	2
Basin & Bath Taps	3 & 4
Basin Mixer with Clicker Waste	5 & 6
Basin Mixer without Waste	7 & 8
Bath Filler	9 & 10
Bath Shower Mixer	11 & 12
Notes	13
Guarantee	14
Aftercare Instructions	Back page

## Bristan Guarantee

### **2 year - Pumps, Power showers**

2year parts. 1 year labour (subject to registration).

### **Electric Showers/Instantaneous Water Heaters**

2 year parts. 1 year labour (subject to registration).

### **5 year - Taps and Mixers**

5 year parts. 5 year labour (subject to proof of purchase).

### **Shower Valves**

5 year parts. 5 year labour (subject to proof of purchase), else 1 year proof of purchase.

### **Accessories**

5 year parts only. Includes bathroom accessories, shower accessories (e.g hoses, handsets and poles), wastes, WC levers and light pulls.

This guarantee applies to products purchased within the United Kingdom or Republic of Ireland, but does not apply to products used commercially. The guarantee is only available to original purchasers who have proof of purchase. The installation must allow ready access to all products for the purpose of inspection, maintenance or replacement.

Any part found to be defective during the above guarantee period will be replaced without charge, providing that the product has been installed in accordance with the instructions, used as intended, and regularly serviced.

Servicing should be carried out a regular intervals of no more than 12 months and more frequently in hard water areas (heavy lime scale) areas.

In the unlikely event that any problem are encountered with the product's performance on installation, you must obtain guidance/authorisation from our Customer Service Department, and able to supply proof and date of purchase, before any remedial action is taken.

The guarantee excludes general wear and tear and damage caused by accident, misuse or neglect, and does not cover the following:

- Components that are subject to general wear and tear such as filters, seals, 'O' rings and washers etc.
- Damage caused by faulty installation.
- Damage caused by lime scale or any waterborne debris.
- Damage caused by inappropriate cleaning products (see user instructions).
- Damage caused by the use of non-Bristan parts.
- The product being used for a purpose other than intended by the Manufacturer.

In the interest of continuous product improvement Bristan reserves the right to alter

**NOTES - Please use this space to add your notes.**

**WATER PRESSURE**

These fittings are suitable for use at all supply pressures. However for optimum use both the hot and cold supplies should be reasonably balanced.

If the fitting is installed at low pressure (tank fed), then the minimum distance from the water outlet to the underside of the cold tank should be at least 2 metres to ensure adequate performance.

**Operating Pressures: Min 0.2 bar, Max 7.0 bar.**

These taps should be installed in compliance with the Water Regulations. Where the supplies are unbalanced, i.e. hot water from cylinder tank / cold from the mains, approved check valves must be fitted in the supply pipes.  
For further details contact your Local Water Authority.

Before starting any installation project please consider:

Prior to drilling into walls, check there are no hidden electrical wires, cables or water supply pipes with the aid of an electronic detector. If you use power tools do not forget:



- Wear eye protection
- Unplug equipment after use



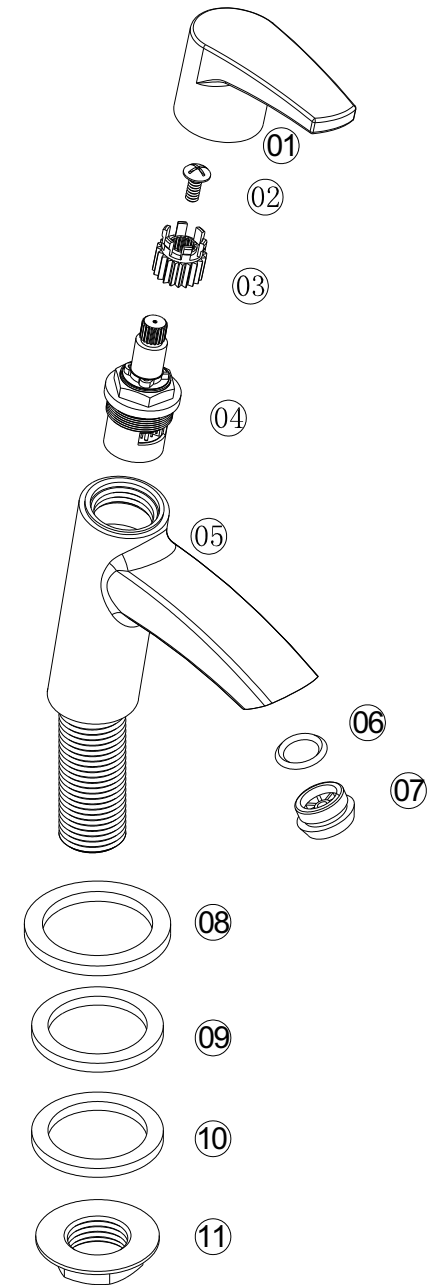
## BATH SHOWER MIXER - OR BSM C

1. Identify all components and check for completeness, particularly before commencing installation.
2. Install the mixer body to the bath using the backnuts (11) and backnut washers (10) provided under the bath with the plinth (08) and Plinth O' ring (09) above.
3. **FOR THE BATH SHOWER MIXER ONLY:** Fit the hose to the mixer, underneath the spout to outlet adaptor (19).
4. Fix the wall bracket (25) to the wall ensuring that the handset (23) and hose (24) will reach it.
5. Connect the hot and cold water supplies and turn water supplies on.
6. Fully open the valves by turning handles, letting it run for a few minutes to check for leaks.
7. Operate the mixer in both bath and shower mode. To switch from bath to shower mode, pull the diverter knob up. After use, the mixer automatically reverts to the bath filling mode.

### CONTENTS

- |                       |      |
|-----------------------|------|
| 1. Handle             | (x2) |
| 2. Screw              | (x2) |
| 3. Spline Adaptor     | (x2) |
| 4. Valve              | (x2) |
| 5. Body               | (x1) |
| 6. Washer             | (x2) |
| 7. Inlet Tail         | (x2) |
| 8. Plinth             | (x2) |
| 9. Washer             | (x2) |
| 10. Washer            | (x2) |
| 11. Backnut           | (x2) |
| 12. Diverter Knob     | (x1) |
| 13. Adaptor           | (x1) |
| 14. O' Ring           | (x1) |
| 15. O' Rings          | (x2) |
| 16. Diverter          | (x1) |
| 17. O' Ring           | (x1) |
| 18. O' Ring           | (x1) |
| 19. Outlet Adaptor    | (x1) |
| 20. Washer            | (x1) |
| 21. Flow Straightener | (x1) |
| 22. Sleeve            | (x1) |
| 23. Handset           | (x1) |
| 24. Hose              | (x1) |
| 25. Wall Bracket      | (x1) |

## Basin & Bath Taps (Pair) - OR 1/2 C & OR 3/4 C



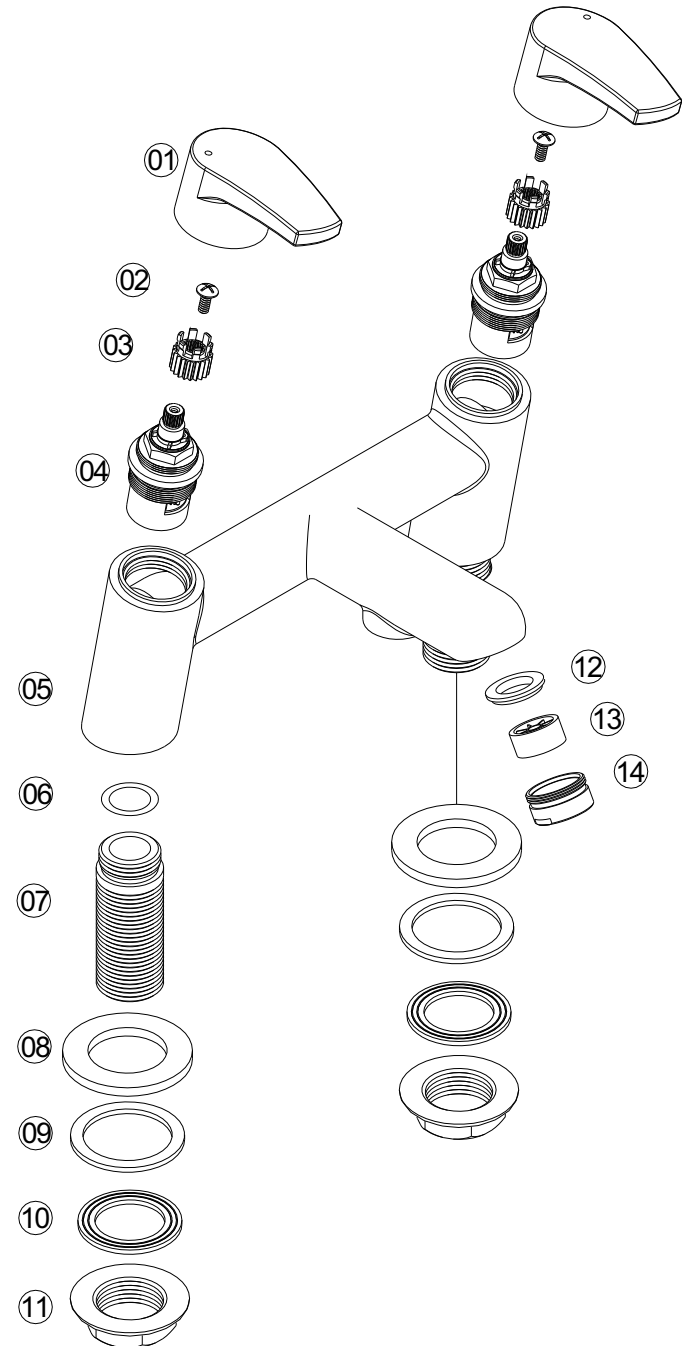
## BASIN MIXER WITH CLICKER WASTE - OR BAS C

1. Identify all components and check for completeness, particularly before commencing installation.
2. Install mixer to the basin. Secure the mixer to the surface of the basin using the fixing kit, with the plinth (12) and O' ring (13) above the basin. Fix the fixing studs (16), then fit the 'C' shaped rubber (14) and metal (15) washers and secure with the fixing nuts (17).
3. Screw in connecting tail pipes (11) by hand **ONLY (DO NOT OVERTIGHTEN)** and then connect the hot and cold supplies.
4. Fit the clicker waste (18) (if applicable), with the rubber washers and backnut. One washer goes under the basin and then secured with the backnut. Use a pure silicone sealant were necessary.
5. Connect the clicker waste (18) to pipe under the basin.
6. Turn on the water supplies. Lift and turn handle both ways for a few minutes, letting the water flow, to check all joints and connections for leaks.
7. See back page for aftercare instructions.

### CONTENTS

- |                       |      |
|-----------------------|------|
| 1. Handle             | (x1) |
| 2. Grub crew          | (x1) |
| 3. Cap                | (x1) |
| 4. Shroud             | (x1) |
| 5. Locking Nut        | (x1) |
| 6. Cartridge          | (x1) |
| 7. Mixer Body         | (x1) |
| 8. Washer             | (x1) |
| 9. Flow Straightener  | (x1) |
| 10. Sleeve            | (x1) |
| 11. Tail Pipes        | (x2) |
| 12. Plinth            | (x1) |
| 13. Plinth O' Ring    | (x1) |
| 14. Rubber 'C' Washer | (x1) |
| 15. Metal 'C' Washer  | (x1) |
| 16. Fixing Stud       | (x2) |
| 17. Fixing Nut        | (x2) |
| 18. Clicker Waste     | (x1) |

## Bath Filler - OR BF C



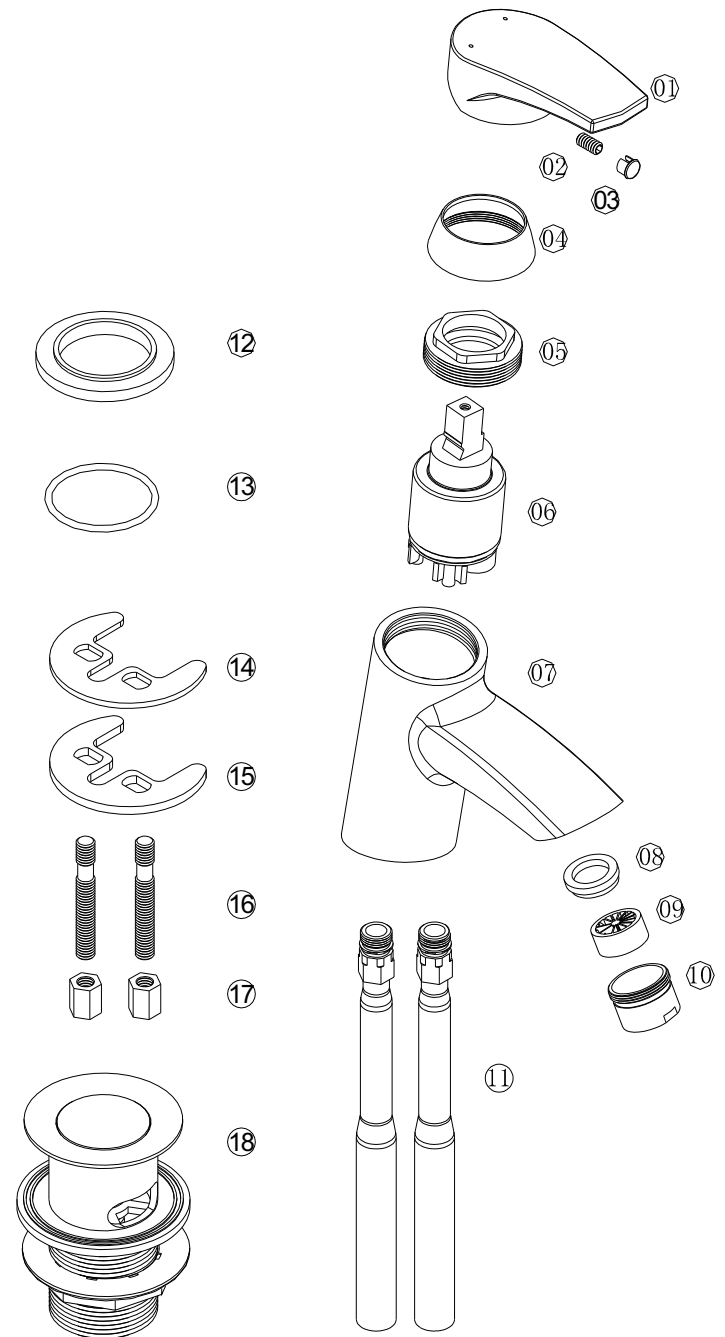
## BATH FILLER - OR BF C

1. Identify all components and check for completeness, particularly before commencing installation.
2. Install the mixer body to the bath using the backnuts (11) and backnut washers (10) provided under the bath with the plinth (08) and Plinth O' ring (09) above.
3. Connect the hot and cold water supplies and turn water supplies on.
4. Fully open the valves by turning handles, letting it run for a few minutes to check for leaks.

### CONTENTS

- |                       |      |
|-----------------------|------|
| 1. Handle             | (x2) |
| 2. Screw              | (x2) |
| 3. Spline Adaptor     | (x2) |
| 4. Valve              | (x2) |
| 5. Body               | (x1) |
| 6. Washer             | (x2) |
| 7. Inlet Tail         | (x2) |
| 8. Plinth             | (x2) |
| 9. Washer             | (x2) |
| 10. Washer            | (x2) |
| 11. Backnut           | (x2) |
| 12. Washer            | (x1) |
| 13. Flow Straightener | (x1) |
| 14. Sleeve            | (x1) |

## Basin Mixer - OR BAS C



## BASIN MIXER WITHOUT WASTE - OR BASNW C

1. Identify all components and check for completeness, particularly before commencing installation.
2. Install mixer to the basin. Secure the mixer to the surface of the basin using the fixing kit, with the plinth (12) and O' ring (13) above the basin. Fix the fixing studs (16), then fit the 'C' shaped rubber (14) and metal (15) washers and secure with the fixing nuts (17).
3. Screw in connecting tail pipes (11) by hand **ONLY (DO NOT OVERTIGHTEN)** and then connect the hot and cold supplies.
4. Turn on the water supplies. Lift and turn handle both ways for a few minutes, letting the water flow, to check all joints and connections for leaks.
5. See back page for aftercare instructions.

### CONTENTS

1. Handle	(x1)
2. Grub crew	(x1)
3. Cap	(x1)
4. Shroud	(x1)
5. Locking Nut	(x1)
6. Cartridge	(x1)
7. Mixer Body	(x1)
8. Washer	(x1)
9. Flow Straightener	(x1)
10. Sleeve	(x1)
11. Tail Pipes	(x2)
12. Plinth	(x1)
13. Plinth O' Ring	(x1)
14. Rubber 'C' Washer	(x1)
15. Metal 'C' Washer	(x1)
16. Fixing Stud	(x2)
17. Fixing Nut	(x2)

## Basin Mixer without waste - OR BASNW C

