

AFTERCARE INSTRUCTIONS

Your fitting has a high quality finish and should be treated with care to preserve the visible surfaces.

All surface finishes will wear if not cleaned correctly, the only safe way to clean your mixer is to wipe with a soft damp cloth. Stains can be removed using washing up liquid. All bath cleaning powders and liquids will damage the surface of your fitting, even the non-scratch cleaners.

GUARANTEE

All products are manufactured to the highest standards and a 5 year guarantee covers any defect in manufacture

NOTE: The 5-year guarantee on the cartridge is invalidated if damaged by any waterborne debris.

In the interests of continuous product development we reserve the right to alter specification as necessary

PRODUCT CODE:

PLEASE ENTER YOUR PRODUCT CODE ABOVE IN THE BOX PROVIDED, WHICH WILL BE REQUIRED FOR ANY FUTURE CORRESPONDENCE REGARDING THIS PRODUCT

PRODUCT IDENTIFICATION CODE LASER ETCHED ON PRODUCT

Installer please fill in code here _____.

TELEPHONE HELPLINE! +44 (0)844 701 6273

Bristan Group Limited
Birch Coppice Business Park
Dordon
Tamworth
Staffordshire
B78 1SG
UK

A Masco Company
Website: www.bristan.com
Telephone: +44 (0) 844 701 6274
Facsimile: +44 (0) 844 701 6275

(FI QUADRATO)

(Rev.D2)

BRISTAN

Quadrato Range

Fitting Instructions & Contents List

Before starting any installation project please consider:

Prior to drilling into walls, check there are no hidden electrical wires, cables or water supply pipes with the aid of an electronic detector. If you use power tools do not forget:

- Wear eye protection
- Unplug equipment after use

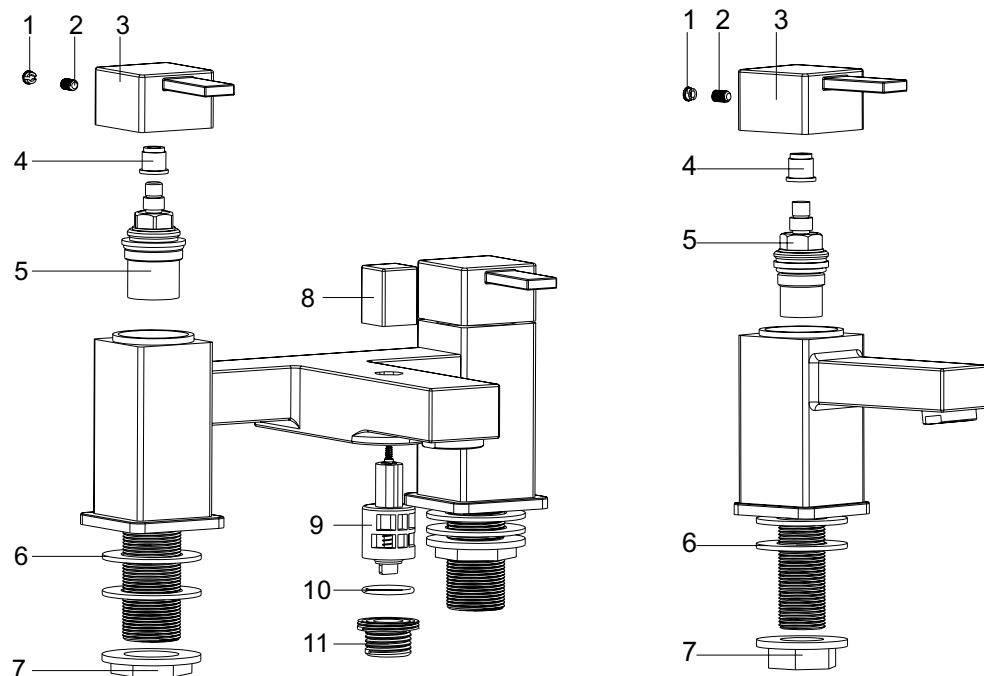


Please keep these instructions for future reference and request of replacement part

These taps are suitable for use at all supply pressures. If the taps are installed at low pressure (tank fed), then the minimum height from the outlet of the nozzle to the underside of the cold tank should be 2 metres for the Basin & Bath taps and 3 metres for the Bath Filler, 5 metres for the Bidet, Basin and Bath Shower Mixer to ensure adequate performance.

These fittings should be installed in compliance with Water Regulations. For further

Basin & Bath Taps, Bath Filler and Bath Shower Mixer Installation



1. Identify all components and check for completeness, particularly before arranging fitting.
2. Install the fittings onto the basin or bath using the provided washers (6), above and below the bath/basin, and back nuts (7), below the basin or bath.
3. Connect the hot and cold water supplies.

4, 5 & 7 Bath Shower Mixer only

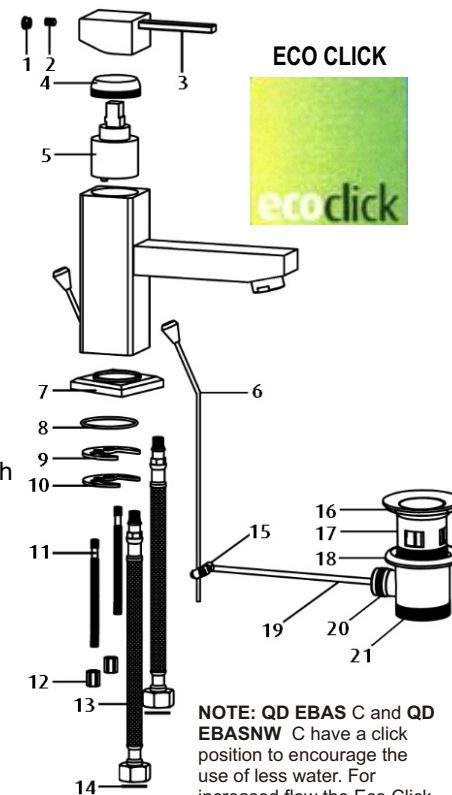
4. Fit the hose to the mixer (11) and the handset using the small sealing washers.
5. To fit wall bracket, position, mark out and drill holes to suit, then screw wall bracket to the wall, ensuring that the handset will reach it.
6. Fully open both valves, letting the water to flow for a few minutes and check all joints and connections for leaks.
7. Operate the mixer in both bath and shower mode. To switch from bath to shower mode pull the diverter knob (8) up. After use the mixer automatically reverts to the bath filling mode.
8. See over the page for aftercare instructions.

If the fitting begins to drip:

1. Isolate water supplies.
2. Prise out handle cap (1), loosen the grub screw (2) and remove handle (3).
3. Remove valve (5).
4. Carefully clean seating, rubber washer and ceramic disc.
5. Replace valve and handle then turn on the water supply.
6. If problem persists contact our help line quoting the product code

Basin & Bidet Mixer Installation

1. Identify all components and check for Completeness, particularly before arranging fitting.
2. Fit the mixer body to the basin/bidet using the 'C' plate fixing kit. The full rubber washer (8) goes between the fitting and the basin/bidet, and the 'C' shaped rubber (9) and metal washers (10) on the underside of the basin/bidet, to be secured by the nuts (12) and threaded rods (11).
3. Fit the flexible tail pipes (13) by hand to the inside of the fitting and connect the hot and cold supplies using washers (14) and suitable fittings (Not Supplied).
4. Fit the pop up waste (if applicable) with washer (16) above and washer (18) below the basin/bidet. It is recommended that a silicon sealant be applied to both sealing faces of washers 16 and 18. The plug height can be set by, adjusting the waste rod (6) and operating rod (19) connecting bracket (15), and the screw in the base of the plug.
5. Fully open the mixer in the mid position, letting it run for a few minutes and check all joints and connections for leaks.
6. See over the page for aftercare instructions.



NOTE: QD EBAS C and QD EBASNW C have a click position to encourage the use of less water. For increased flow the Eco Click feature can be overridden.

If the mixer begins to drip:

1. Isolate water supplies.
2. Prise out handle cap (1), loosen grub screw (2) and lift off the handle (3).
3. Unscrew the shroud retaining nut (4) and lift out the cartridge (5) complete with seal.
4. Clean or replace cartridge, clean and grease seal and refit.

Note: that there are locating pins on the bottom of the cartridge that fit in holes inside the tap, to ensure it is fitted the right way round.

5. Refit the handle and tighten the grub screw. Replace the handle cap.
6. If problem persists contact our Helpline quoting the product code.

Please Note: In the unlikely event you find a part missing please contact our Customer Service Help line on **0844 701 6273** for immediate dispatch of part.