

INSTALLATION
INSTRUCTIONS

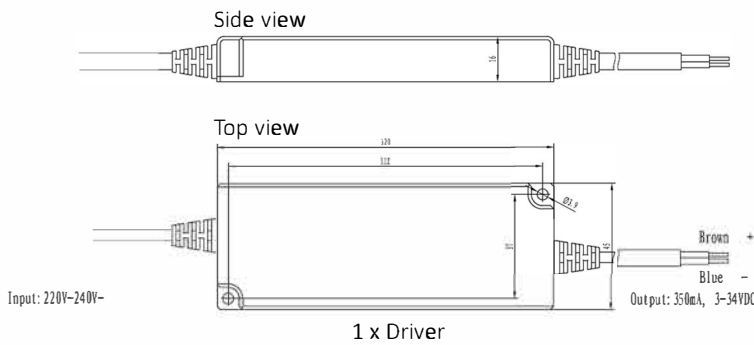
1 x Driver
12W
350mA



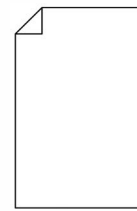
CODE: SE491050

IMPORTANT: Please read these instructions before commencing installation and retain for future reference.

Components



1 x Driver



1 x instructions

Important Safety Information

Please read these instructions carefully before attempting to install this product. It is advisable to keep these instructions in a safe place for future reference.

We recommend that you consult a qualified electrician. All electrical installation must be carried out in accordance with current IEE wiring regulations (BS7671).

These products must not be modified, if any modification are made, it may invalidate the warranty and may render the product unsafe. This type of power supply is an exclusively designed stabilized power supply for LED lamps. With constant current (CC) technology, it is suitable for constant current lamps (350mA) connected in a series.

The built-in protection circuit will shut down the power supply in case of such faults as: open circuit, short circuit, over load. The power supply will restart automatically after fault correction.

- Install on smooth flat surface(s) only.
- Do not exceed or stretch the cable length of each wire.

The indicated load should not be exceeded. For 3W high power LED (IF=350mA), 1 to 4 PCS. The maximum length of the output cable to the LED lamps should not exceed 2m in order to meet the EMC standard. If the LED power supply is used for purposes other than originally intended or it is connected incorrectly, the manufacturer is not responsible for possible damages.

The power supply is for LED lamps only, Pay attention to the polarity of LED, wrong polarity may damage the LED.

The power supply is only for indoor use and permissible operating temperature is -20 to 45°C

Specification	
Input voltage:	220~240VAC
Input frequency:	50/60Hz
Input current:	<0.15A
Constant output current :	350mA
Output voltage:	3~34VDC Uout=20VDCmax
Output power:	1~12 W
LED type:	high power LED 3W x 1 to 4
Ambient temperature:	-20-45°C
Case temperature: Max.	80°C
IP protection:	IP44
Primary cable:	H03VVH2-F 2X0.75mm2
Secondary cable:	H03VVH2-F 2X0.75mm2

Safety Instructions

1. Before commencing installation or maintenance, isolate the main electrical supply for the appropriate circuit at the fuse board.
2. This product is only suitable for connecting to a 220-240V 50Hz supply.
3. The product should be mounted onto a secure surface.
4. Suitable for furniture lighting.

Waste Electrical & Electronic Equipment (WEEE)

The symbol on the product, or on the document accompanying the product, the crossed out wheeler bin symbol, indicates that this product may not be treated as household waste. Instead it shall be handed over to the applicable collection point for the recycling of electrical and electronic waste.



RoHS
Compliant ✓

